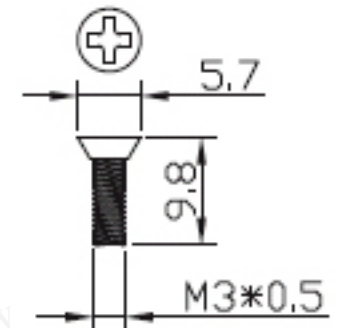
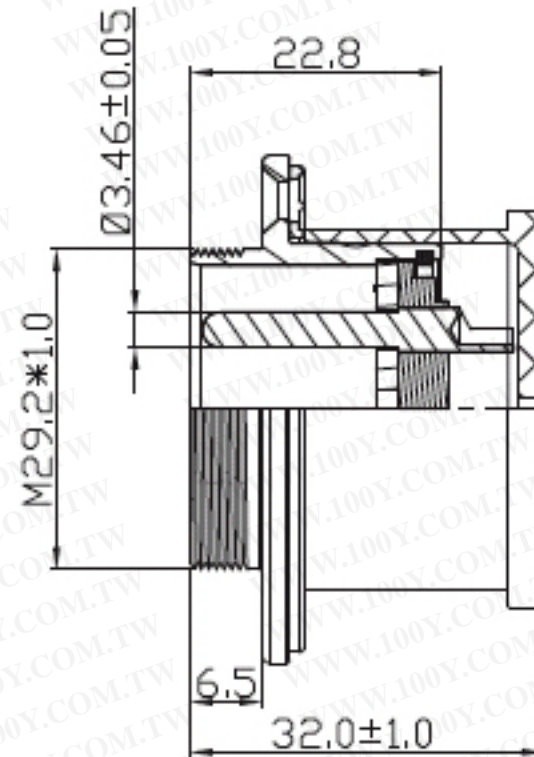
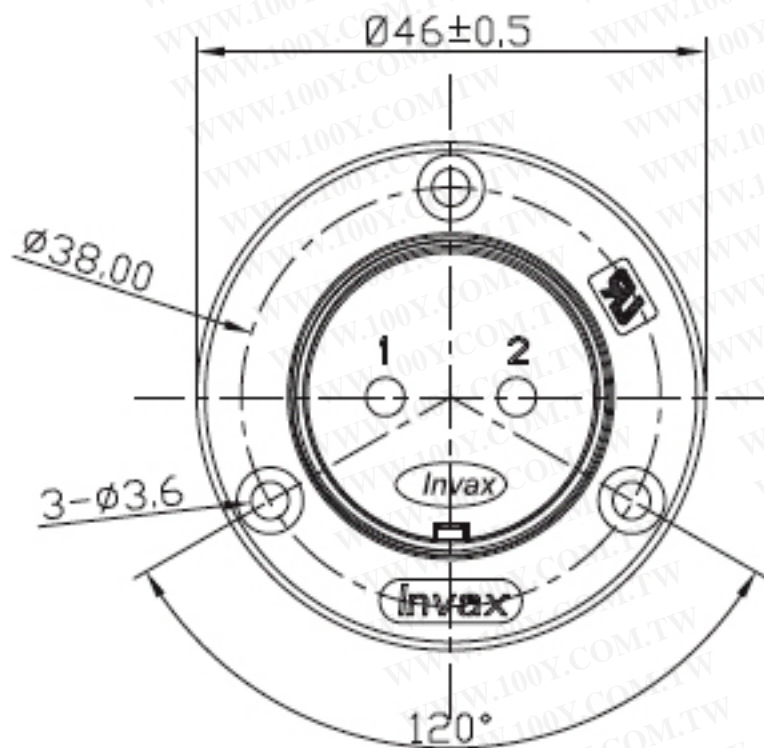


RoHS

Compatible



SIGN	DATE	DESCRIPTION	APPROVER
▲			
▲			
▲			



Note:

Rated current : 15A

Rated voltage : 250V

Withstanding voltage(AC,V,rms)1 minute; $\geq 2000V$

Insulation resistance (M Ω MIN) at DC 500V: $\geq 2000 M\Omega$

Contact resistance (m Ω MAX) at DC 1A: $\leq 3m\Omega$

Operation temperature : $-40^\circ C \sim +65^\circ C$

勝特力材料 886-3-5753170
勝特力电子(上海) 86-21-34970699
勝特力电子(深圳) 86-755-83298787
[Http://www.100y.com.tw](http://www.100y.com.tw)

TITLE: CS4系列2PIN (公針) 圓形面板座				
PART NO.: CS4R-02APNS			CUSTOMER P/N:	
APP BY	CHK BY	RF BY	DES BY	Tolerance X,X ± 0.2 X,XX ± 0.10 X' ± 1
				UNITS: mm
				SCALE: 1/1
				REVISION: A