



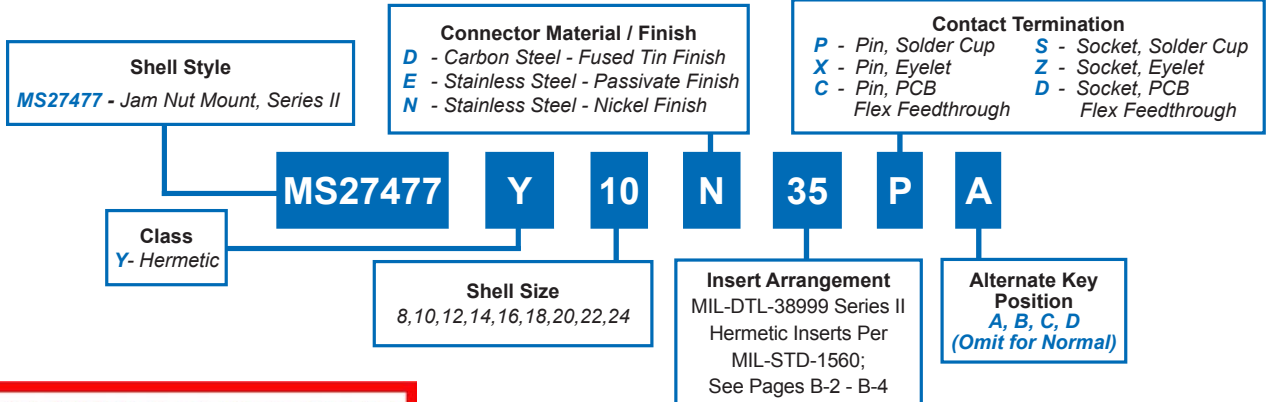
MS27477

Jam Nut Mount Hermetic Receptacle

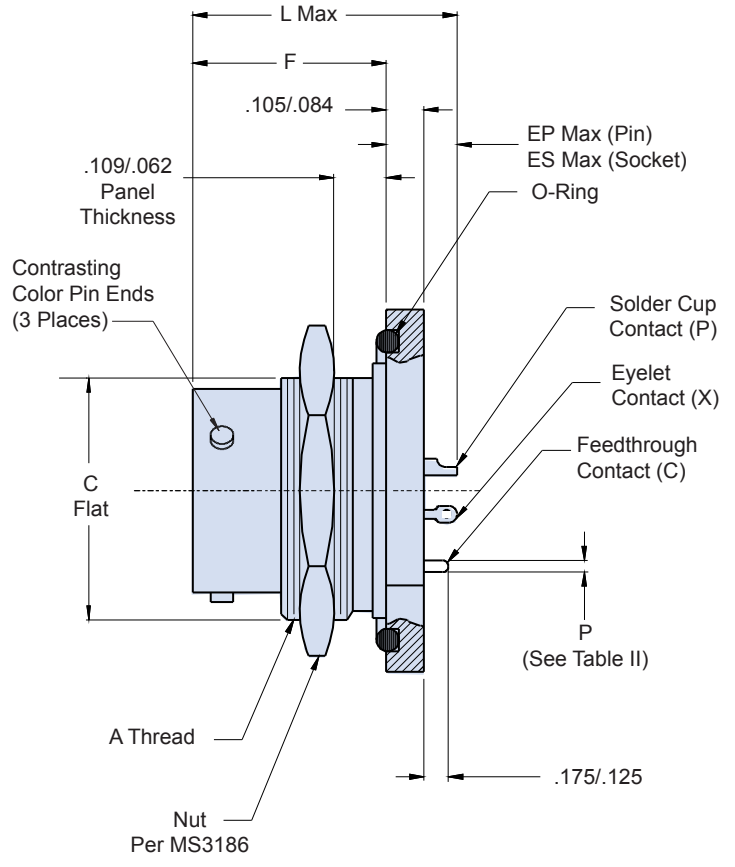
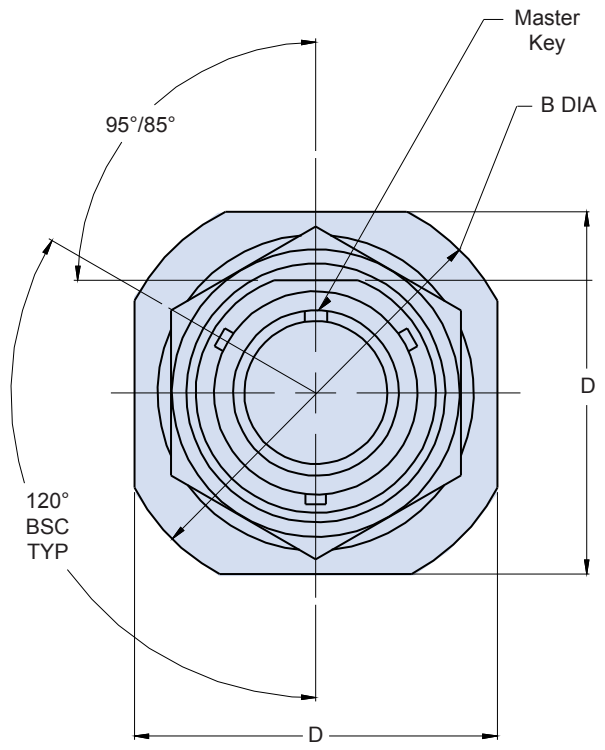
MIL-DTL-38999 Series II

How To Order: MS

B



勝特力電材超市-龍山店 886-3-5773766
 勝特力電材超市-光復店 886-3-5729570
 勝特力电子(上海) 86-21-34970699
 勝特力电子(深圳) 86-755-83298787
<http://www.100y.com.tw>



Dimensions in Inches (millimeters) are subject to change without notice.

232-100-H7 Jam Nut Mount Hermetic Receptacle MIL-DTL-38999 Series II Type



How To Order: Commercial

Connector Series
232-100 - Series II Type
Hermetic

Shell Style
H7 - Jam-Nut Mount
Receptacle

Shell Size
08, 10, 12, 14, 16, 18, 20, 22, 24

Contact Termination
P - Pin, Solder Cup S - Socket, Solder Cup
X - Pin, Eyelet Z - Socket, Eyelet
C - Pin, PCB D - Socket, PCB

232 - 100 - H7 Z1 8 - 35 C N

Connector Material / Finish
ZL - CRES, Nickel
Z1 - CRES, Passivated
FT - Carbon Steel, Fused Tin

Insert Arrangement
Per MIL-STD-1560;
See Pages B-2 - B-4

Alternate Key Position
A, B, C, D,
(N = Normal)

WIRE ACCOMODATION	
Contact Size	Wire Gauge
22D	#22 - #28
20	#20 - #24
16	#16 - #20
12	#12 - #14

HERMETIC LEAK RATE MOD CODES	
Designator	Required Leak Rate
-585A	1 x 10 ⁻¹⁰ cc Helium per second
-585B	1 x 10 ⁻⁹ cc Helium per second
-585C	1 x 10 ⁻⁸ cc Helium per second

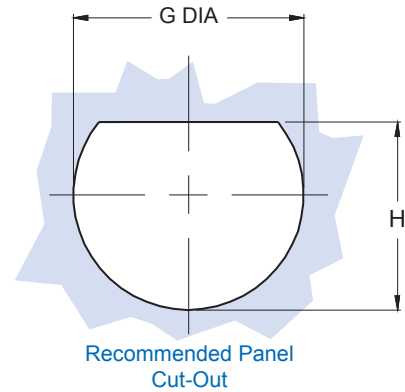


TABLE I: CONNECTOR DIMENSIONS				
SHELL SIZE	A THREAD CLASS 2A	B DIA ±.016(0.4)	C FLAT ±.004(0.1)	D A/F ±.016(0.4)
8/08	.875-20 UNEF	1.375(34.9)	.815(20.7)	1.25(31.8)
10	1.000-20 UNEF	1.5(38.1)	.939(23.9)	1.375(34.9)
12	1.125-18 UNEF	1.625(41.3)	1.063(27.0)	1.5(38.1)
14	1.250-18 UNEF	1.75(44.5)	1.188(30.2)	1.625(41.3)
16	1.375-18 UNEF	1.938(49.2)	1.318(33.5)	1.781(45.2)
18	1.500-18 UNEF	2.016(51.2)	1.438(36.5)	1.890(48.0)
20	1.625-18 UNEF	2.141(54.4)	1.563(39.7)	2.016(51.2)
22	1.750-18 UNS	2.265(57.5)	1.688(42.9)	2.140(54.4)
24	1.875-16 UN	2.39(60.7)	1.813(46.1)	2.265(57.5)

TABLE I (CONTINUED): CONNECTOR DIMENSIONS						
SHELL SIZE	EP MAX	ES MAX	F ±.005(0.1)	G DIA ±.005(0.1)	H ±.005(0.1)	L MAX
8/08	.281 (7.1)	.359 (9.1)	.438(11.1)	.885(22.48)	.830(21.08)	.724(18.4)
10	.281 (7.1)	.359 (9.1)	.438(11.1)	1.010(25.65)	.955(24.26)	.724(18.4)
12	.281 (7.1)	.359 (9.1)	.438(11.1)	1.135(28.83)	1.085(27.56)	.724(18.4)
14	.281 (7.1)	.359 (9.1)	.438(11.1)	1.260(32.01)	1.210(30.73)	.724(18.4)
16	.281 (7.1)	.359 (9.1)	.438(11.1)	1.385(35.18)	1.335(33.91)	.724(18.4)
18	.281 (7.1)	.359 (9.1)	.438(11.1)	1.510(38.35)	1.460(37.08)	.724(18.4)
20	.250 (6.4)	.344 (8.7)	.464(11.8)	1.635(41.53)	1.585(40.26)	.719(18.3)
22	.250 (6.4)	.344 (8.7)	.464(11.8)	1.760(44.70)	1.709(43.42)	.719(18.3)
24	.250 (6.4)	.344 (8.7)	.464(11.8)	1.885(47.88)	1.835(46.61)	.719(18.3)

TABLE II: CONTACT SIZE	
PRINTED CIRCUIT TAIL CONFIGURATIONS CONTACT STYLE C AND D	
SIZE 12 AND SIZE 16	
SIZE 22D AND SIZE 20	
Contact Size	ø P
22D	.011 (0.28) .015 (0.38)
20	.024 (0.61) .028 (0.71)
16	.0635 (1.61) .0615 (1.56)
12	.095 (2.41) .093 (2.36)

Dimensions in Inches (millimeters) are subject to change without notice.