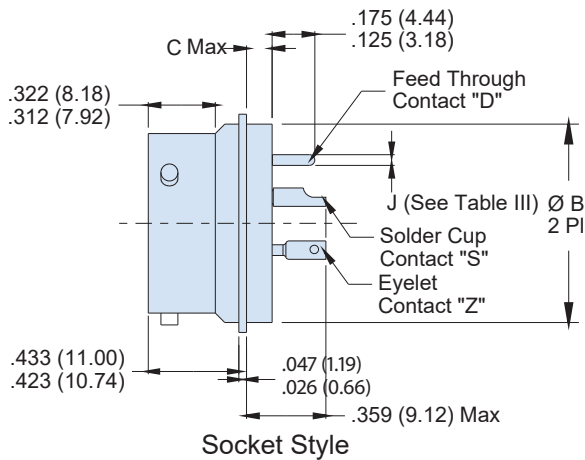
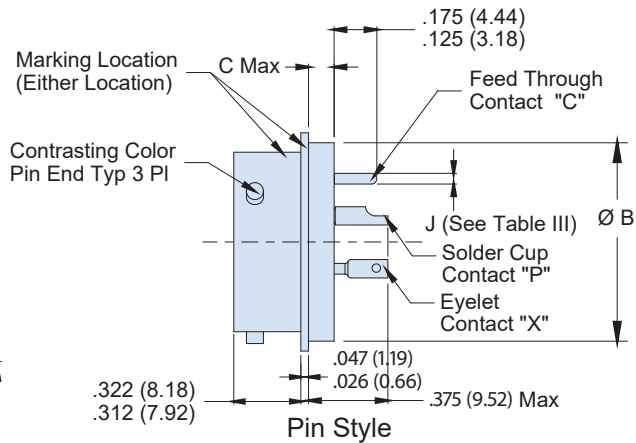
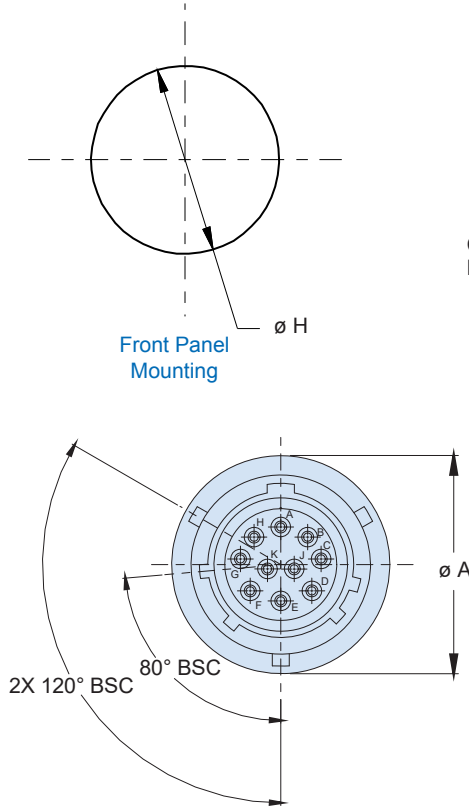
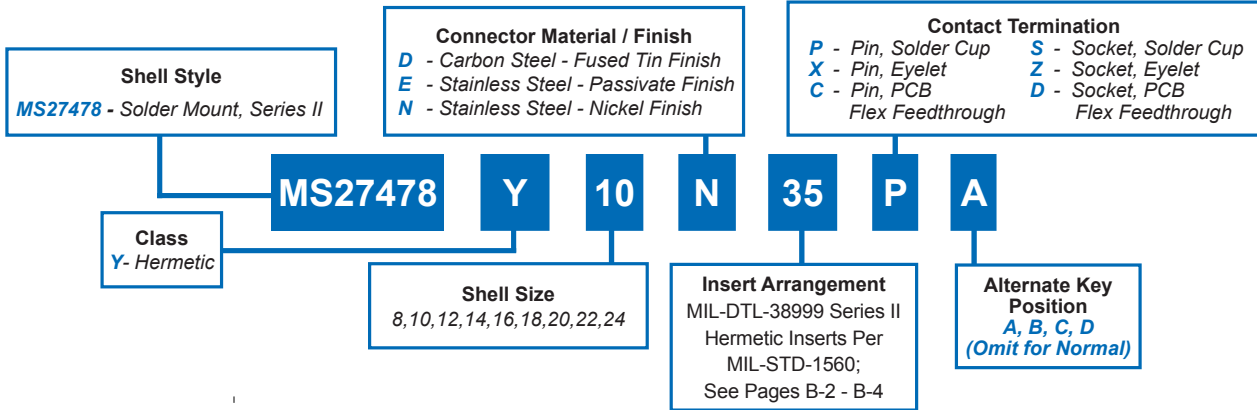


**MS27478**  
**Solder Mount Hermetic Receptacle**  
MIL-DTL-38999 Series II

**How To Order: MS**

B



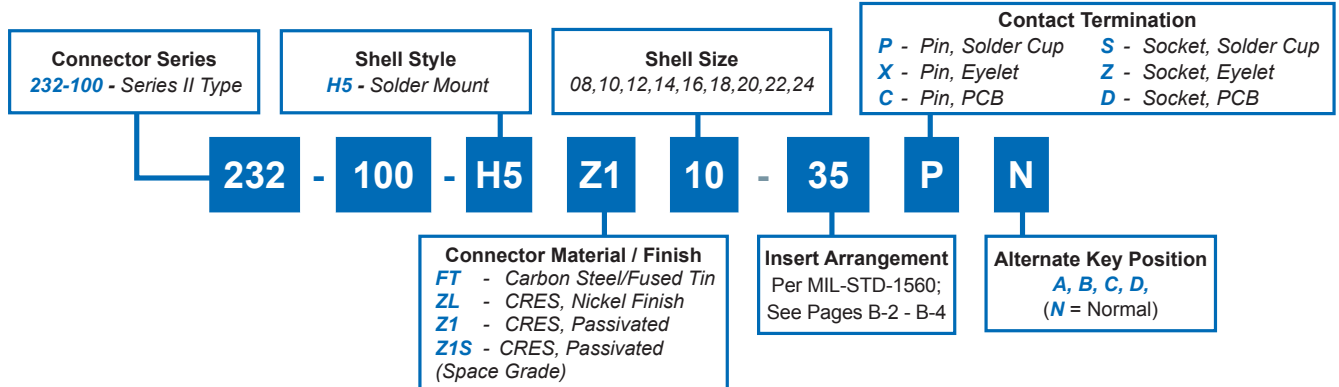
勝特力電材超市-龍山店 886-3-5773766  
 勝特力電材超市-光復店 886-3-5729570  
 勝特力電子(上海) 86-21-34970699  
 勝特力電子(深圳) 86-755-83298787  
<http://www.100y.com.tw>

Dimensions in Inches (millimeters) are subject to change without notice.

# 232-100-H5 Solder Mount Hermetic Receptacle MIL-DTL-38999 Series II Type



## How To Order: Commercial

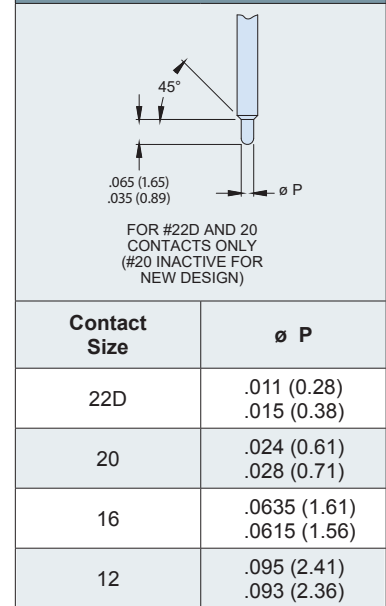


**B**

HERMETIC LEAK RATE MOD CODES	
Designator	Required Leak Rate
-585A	1 x 10 <sup>-10</sup> cc Helium per second
-585B	1 x 10 <sup>-9</sup> cc Helium per second
-585C	1 x 10 <sup>-8</sup> cc Helium per second

TABLE I: CONNECTOR DIMENSIONS				
SHELL SIZE	ø A	ø B	C MAX	ø H
8/08	0.698 (17.73)	0.563 (14.30)	0.125 (3.18)	0.575 (14.60)
	0.677 (17.20)	0.557 (14.15)		0.565 (14.35)
10	0.808 (20.52)	0.673 (17.09)		0.685 (17.40)
	0.787 (19.99)	0.667 (16.94)		0.675 (17.15)
12	0.917 (23.29)	0.782 (19.86)		0.794 (20.17)
	0.896 (22.76)	0.776 (19.71)		0.784 (19.91)
14	1.042 (26.47)	0.907 (23.04)		0.919 (23.34)
	1.021 (25.93)	0.901 (22.89)		0.909 (23.09)
16	1.167 (29.64)	1.032 (26.21)	1.044 (26.52)	
	1.146 (29.11)	1.026 (26.06)	1.034 (26.26)	
18	1.292 (32.82)	1.157 (29.39)	1.169 (29.69)	
	1.271 (32.28)	1.151 (29.24)	1.159 (29.44)	
20	1.386 (35.20)	1.251 (31.78)	1.263 (32.08)	
	1.365 (34.67)	1.245 (31.62)	1.253 (31.83)	
22	1.511 (38.38)	1.376 (34.95)	1.388 (35.26)	
	1.490 (37.85)	1.370 (34.80)	1.378 (35.00)	
24	1.511 (38.38)	1.501 (38.13)	1.513 (38.43)	
	1.490 (37.85)	1.495 (37.97)	1.503 (38.18)	

TABLE II: CONTACT SIZE



WIRE ACCOMODATION

Contact Size	Wire Gauge
22D	#22 - #28
20	#20 - #24
16	#16 - #20
12	#12 - #14

Dimensions in Inches (millimeters) are subject to change without notice.