

Han DD module, crimp male

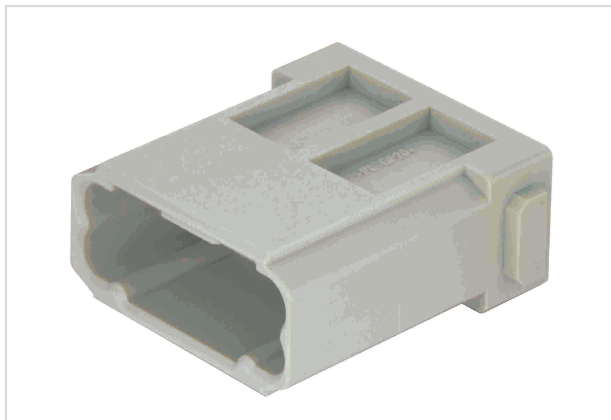


Image is for illustration purposes only. Please refer to product description.

Part number	09 14 012 3002
Specification	Han DD module, crimp male
HARTING eCatalogue	https://b2b.harting.com/09140123002

Identification

Category	Modules
Series	Han-Modular®
Type of module	Han DD® module

Version

Termination method	Crimp termination
Gender	Male
Number of contacts	12
Details	Please order crimp contacts separately.

Technical characteristics

Conductor cross-section	0.14 ... 2.5 mm ²
Rated current	10 A
Rated voltage	250 V
Rated impulse voltage	4 kV
Pollution degree	3
Rated voltage acc. to UL	600 V
Insulation resistance	>10 ¹⁰ Ω
Limiting temperature	-40 ... +125 °C
Mating cycles	≥500
Mating cycles with other HMC components	≥10,000



Pushing Performance

Material properties

Material (insert)	Polycarbonate (PC)
Colour (insert)	RAL 7032 (pebble grey)
Material flammability class acc. to UL 94	V-0
RoHS	compliant
ELV status	compliant
China RoHS	e
REACH Annex XVII substances	No
REACH ANNEX XIV substances	No
REACH SVHC substances	No
California Proposition 65 substances	No

Specifications and approvals

Specifications	EN 60664-1 IEC 61984
Approvals	DNV GL
UL / CSA	UL 1977 ECBT2.E235076 CSA-C22.2 No. 182.3

Commercial data

Packaging size	2
Net weight	1 g
Country of origin	Germany
European customs tariff number	85389099
eCl@ss	27440217 Module for industrial connectors (power/signals)

Mouser Electronics

Authorized Distributor

Click to View Pricing, Inventory, Delivery & Lifecycle Information:

[HARTING:](#)

[09140123002](#)