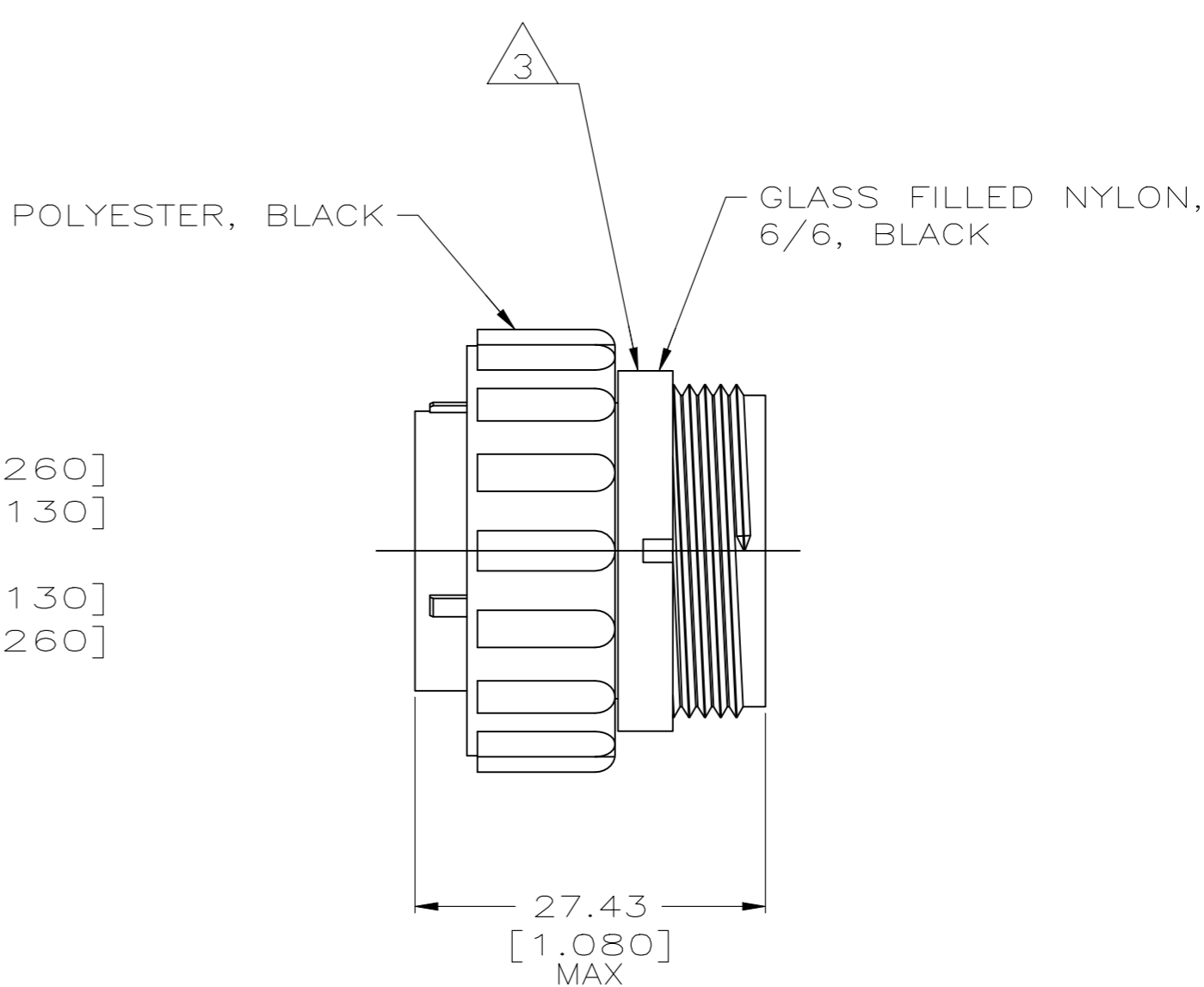
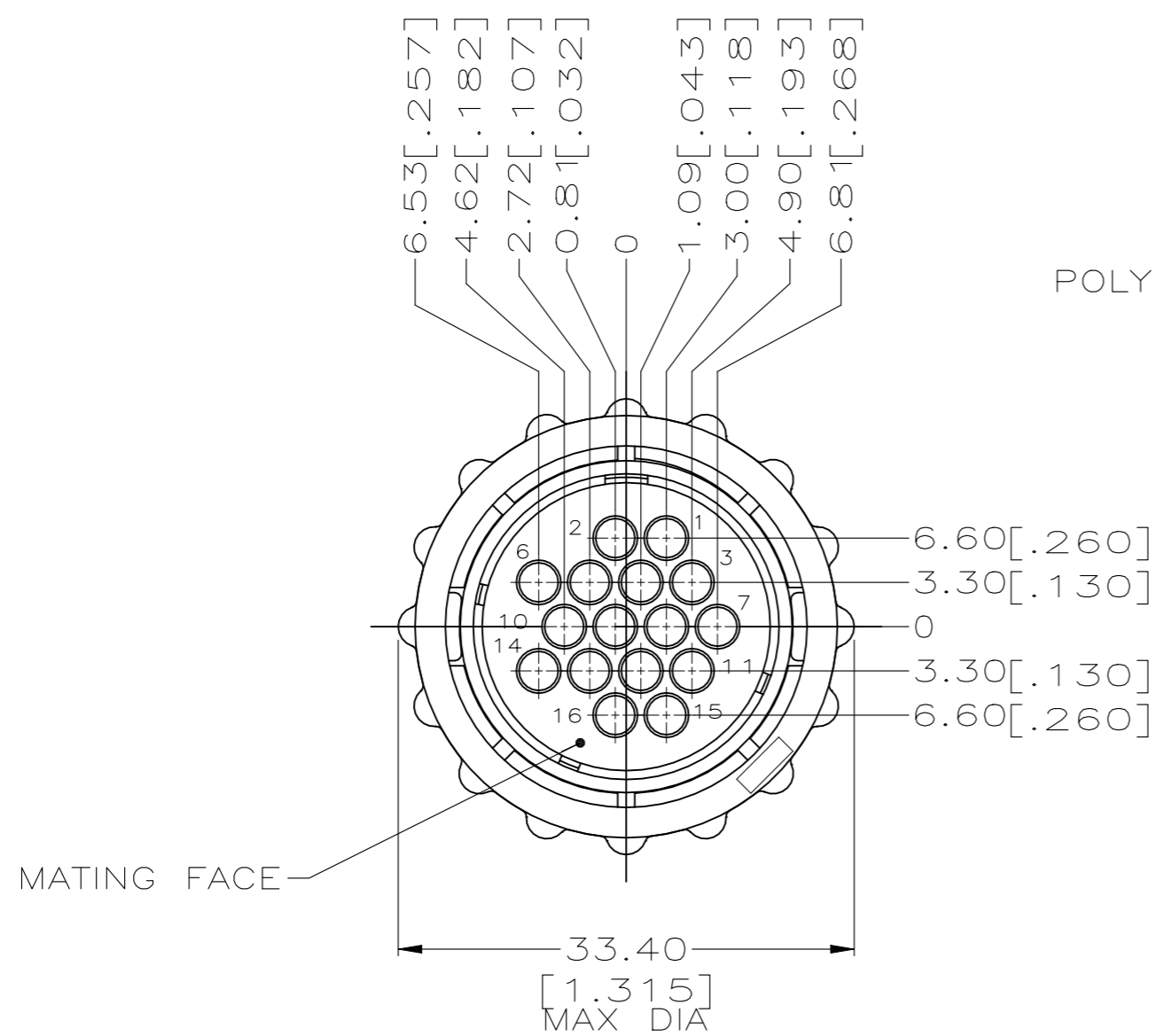




REVISIONS					
P	LTR	DESCRIPTION	DATE	DWN	APVD
	C	ECO-21-006943	13OCT2021	RK	MZ



- CONTACT CAVITIES IDENTIFIED BY CHARACTERS ON FRONT AND REAR FACES OF CONNECTOR.
 - THIS CONNECTOR WILL ACCEPT (16) MULTIMATE SOCKET CONTACTS.
-  TE LOGO AND PART NUMBER LOCATED ANYWHERE ON THIS SURFACE

213849-1
PART NO.

勝特力電材超市-龍山店 886-3-5773766
 勝特力電材超市-光復店 886-3-5729570
 勝特力电子(上海) 86-21-34970699
 勝特力电子(深圳) 86-755-83298787
<http://www.100y.com.tw>

THIS DRAWING IS A CONTROLLED DOCUMENT.		DWN K.FOLTZ 01/04/95	 TE Connectivity														
DIMENSIONS: mm[INCHES]		CHK R.STONE 01/09/95															
TOLERANCES UNLESS OTHERWISE SPECIFIED:		APVD T.COULSON 01/10/95	NAME PLUG ASSEMBLY, STANDARD SEX, SIZE 17, SERIES I, CPC														
<table border="0"> <tr> <td>0 PLC</td> <td>± -</td> </tr> <tr> <td>1 PLC</td> <td>± -</td> </tr> <tr> <td>2 PLC</td> <td>± 0.13 [.005]</td> </tr> <tr> <td>3 PLC</td> <td>± -</td> </tr> <tr> <td>4 PLC</td> <td>± -</td> </tr> <tr> <td>ANGLES</td> <td>± -</td> </tr> </table>		0 PLC	± -	1 PLC	± -	2 PLC	± 0.13 [.005]	3 PLC	± -	4 PLC	± -	ANGLES	± -	PRODUCT SPEC -	APPLICATION SPEC -		
0 PLC	± -																
1 PLC	± -																
2 PLC	± 0.13 [.005]																
3 PLC	± -																
4 PLC	± -																
ANGLES	± -																
MATERIAL SEE CALLOUTS		FINISH -	WEIGHT -	SIZE A3	CAGE CODE 00779												
CUSTOMER DRAWING			DRAWING NO C-213849	RESTRICTED TO -	SCALE 2:1												
			SHEET 1 OF 1	REV C													