

LOC		DIST		REVISIONS			
P	LTN	DESCRIPTION	DATE	DMN	APVD		
A1		REVISED PER PCN E-17-003750	13JUL2017	JA	DM		
B		REVISED PER PCN E-17-010843	21MAR2018	JA	DM		
B1		REVISED PER PCN E-18-013976	03SEP2018	SS	DM		
B2		REVISED PER PCN E-19-004598	15MAR2019	DD	DM		

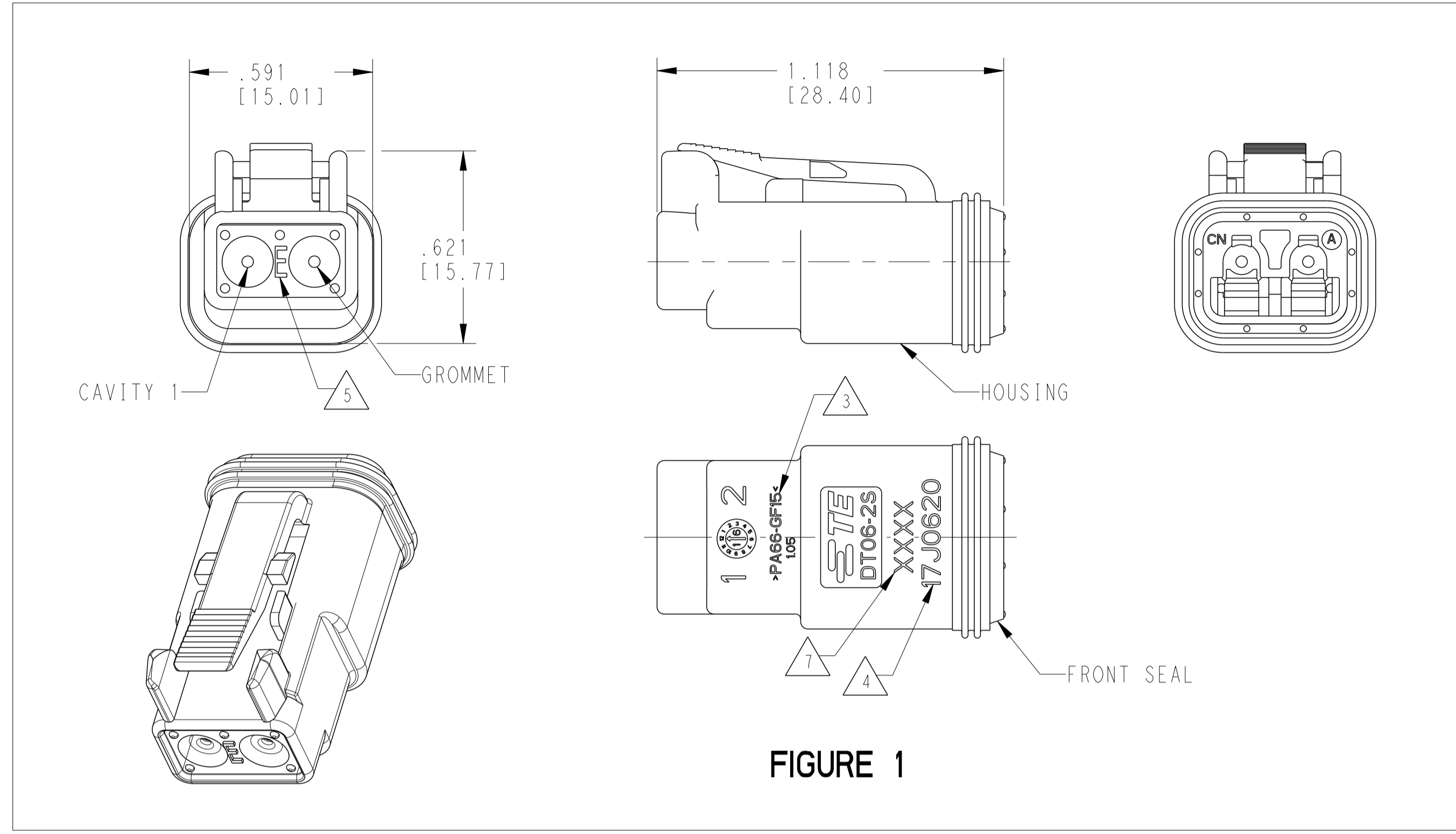


FIGURE 1

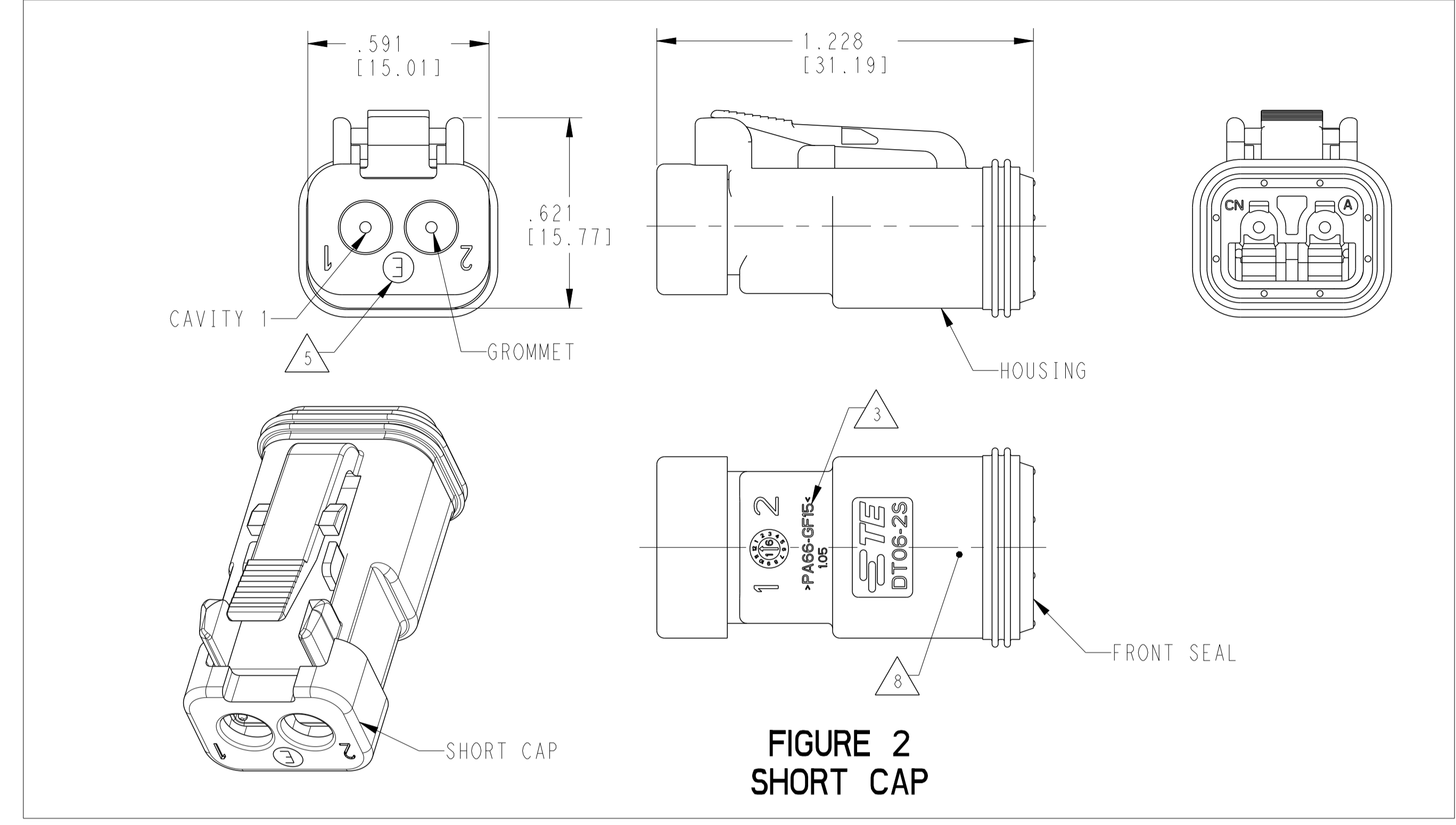


FIGURE 2
SHORT CAP

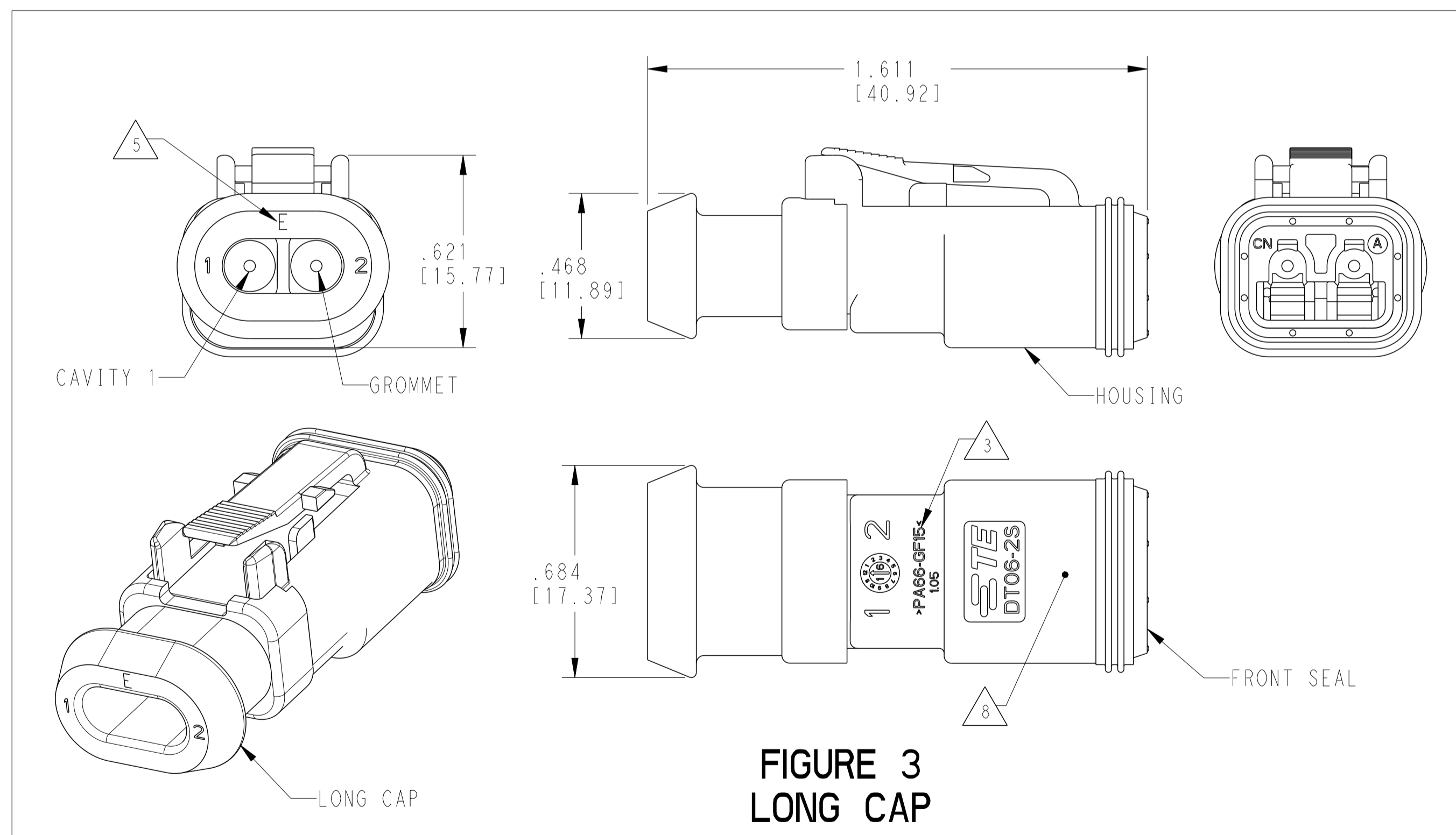


FIGURE 3
LONG CAP

CONTACT SIZE	WIRE RANGE	INSULATION OD SEALING RANGE	SEAL IDENTIFICATION
16	14-20 AWG [2.5-0.5mm ²]	.088 - .145 [2.23-3.68]	STANDARD SEAL
		.053 - .120 [1.35-3.05]	EXTRA THIN SEAL E-SEAL

TE INTERNAL PART NUMBER	DEUTSCH PART NUMBER	PN REV	COLOR	STANDARD SEAL GROMMET	EXTRA THIN SEAL E-SEAL GROMMET	SHORT CAP	LONG CAP	FIGURE
DT06-2S	DT06-2S	A	GREY	X				1
DT06-2S-C015	DT06-2S-C015	E	GREY		X			1
DT06-2S-CE01	DT06-2S-CE01	C	GREY		X	X		2
DT06-2S-CE03	DT06-2S-CE03	A	BLACK		X	X		2
DT06-2S-CE04	DT06-2S-CE04	A	GREY		X		X	3
DT06-2S-CE05	DT06-2S-CE05	A	BLACK		X	X		2
DT06-2S-CE06	DT06-2S-CE06	A	BLACK		X			1
DT06-2S-CE13	DT06-2S-CE13	A	BLACK		X		X	3
DT06-2S-E003	DT06-2S-E003	A	GREY	X			X	2
DT06-2S-E004	DT06-2S-E004	A	BLACK	X				1
DT06-2S-E005	DT06-2S-E005	A	BLACK	X		X		2
DT06-2S-E008	DT06-2S-E008	A	GREY	X			X	3
DT06-2S-EP04	DT06-2S-EP04	B	GREY	X		X		2
DT06-2S-EP06	DT06-2S-EP06	B	BLACK	X		X		2
DT06-2S-EP11	DT06-2S-EP11	A	BLACK	X			X	3
DT06-2S-P004	DT06-2S-P004	A	GREY	X				1
DT06-2S-P012	DT06-2S-P012	A	BLACK	X				1

- 3 MATERIAL: HOUSING: PA66 GF15, SEE TABLE FOR COLOR
SHORT, LONG CAP: PA66 GF15, SEE TABLE FOR COLOR
GROMMET: VMQ (RED-ORANGE)
FRONT SEAL: VMQ (RED-ORANGE),
- 2. THIS PLUG MATES WITH DT04-2P-XXXX RECEPTACLE.
(XXXX = ALL MODIFICATIONS)
- 1. SECONDARY WEDGE LOCK SOLD SEPARATELY: W2SX-XXXX.
(X = A,B,C,D KEY, XXXX = ALL MODIFICATIONS)
W2S OR W2S-P012 MAY BE USED WITH THESE PLUGS,
W2S-P012 IS RECOMMENDED.

- 7 XXXX IDENTIFIES THE MODIFICATION NUMBER,
IF APPLICABLE. EXAMPLE: "E003" FOR DT06-2S-E003,
OR BLANK FOR DT06-2S.
- 6. FOR CONTACTS AND WIRE PERFORMANCE AND APPLICATION
CHARACTERISTICS SEE CUSTOMER DRAWING 0425-015-0000.
- 5 "E" IDENTIFIES E-SEAL.
- 4 DATE CODE: IDENTIFIES THE YEAR, MONTH, DAY AND HOUR OF ASSEMBLY.
YEAR: FIRST AND SECOND DIGITS. (17 = 2017)
MONTH: THIRD DIGIT, EXCLUDING I. A = JAN, B = FEB,
C = MARCH ... (K = OCTOBER)
DAY: FOURTH AND FIFTH DIGITS (14 = 14th DAY)
HOUR: SIXTH AND SEVENTH DIGITS (11 = 11AM)

勝特力電材超市-龍山店 886-3-5773766
 勝特力電材超市-光復店 886-3-5729570
 勝特力電子(上海) 86-21-34970699
 勝特力電子(深圳) 86-755-83298787
<http://www.100y.com.tw>

8 ADDITIONAL MARKING PER NOTE 4 AND 7
EXCLUSIVELY FOR PARTS WITH CAPS PRODUCED
IN CHINA.

NOTES: UNLESS OTHERWISE SPECIFIED

THIS DRAWING IS A CONTROLLED DOCUMENT. DWN: J. JAIME C. APOSTOL 24OCT2016
 CHK: D. MEYER 24OCT2016
 APVD: D. MEYER 24OCT2016

TE Connectivity

2 WAY PLUG, STANDARD SEAL
 EXTRA THIN SEAL, SHORT CAP AND
 LONG CAP, DT SERIES

SIZE: 4A1 CAGE CODE: 4AFU8 DRAWING NO: DT06-2S-XXXX
 WEIGHT: 0.425-0.17-0000
 MATERIAL: 3 FINISH: 3

CUSTOMER DRAWING SCALE: 3:1 SHEET 1 OF 1 REV: B2