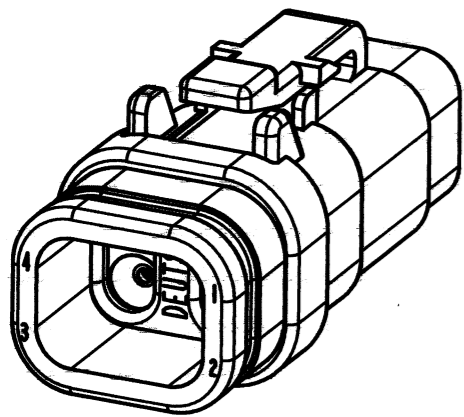
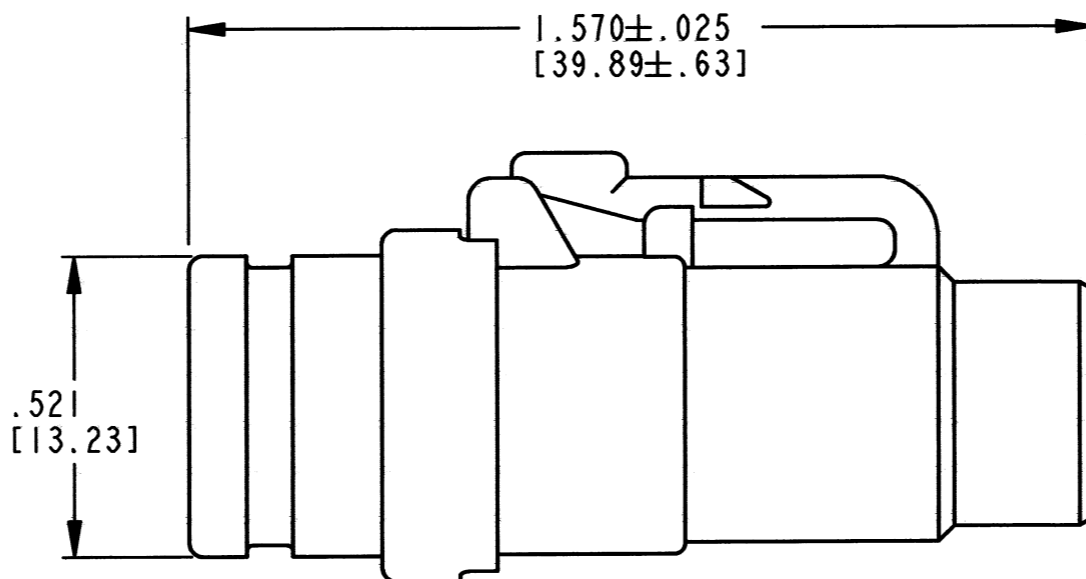
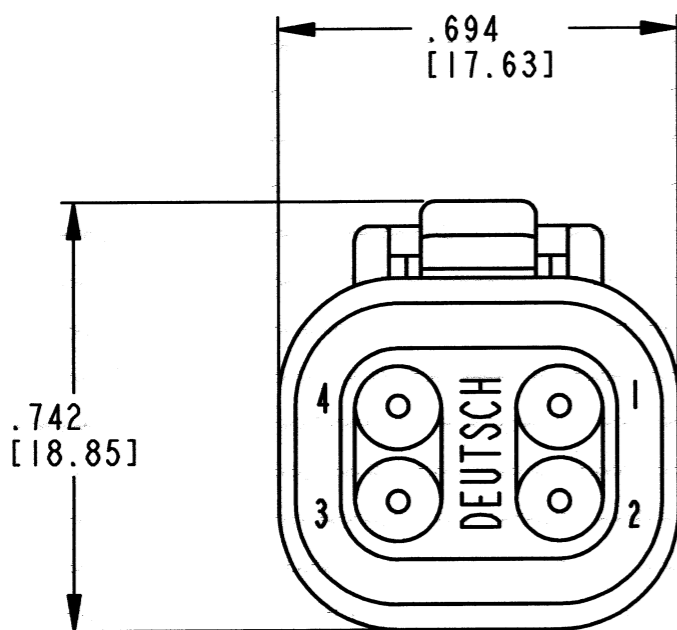
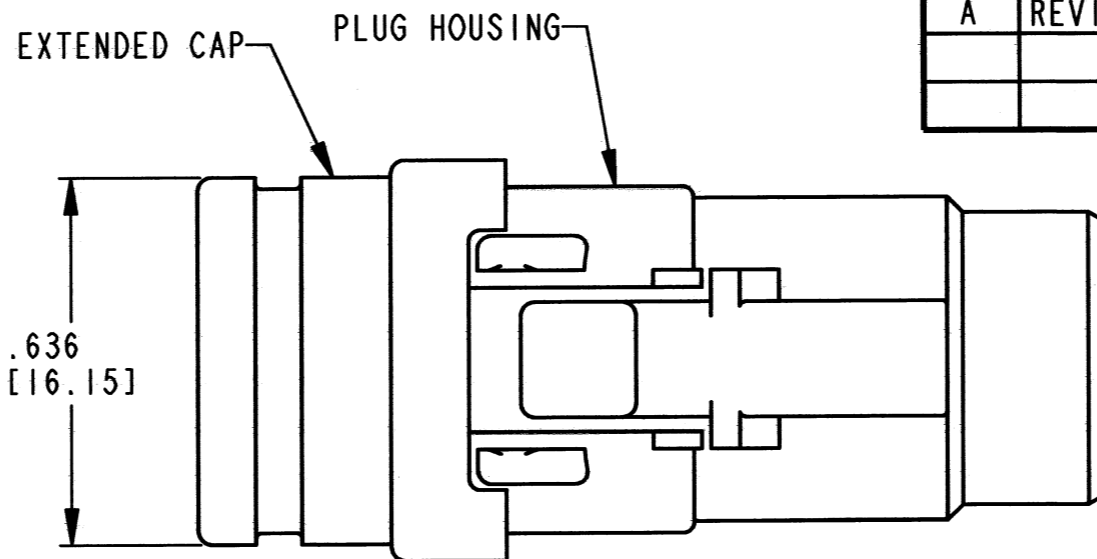


REV
A DTM06-4S-E007

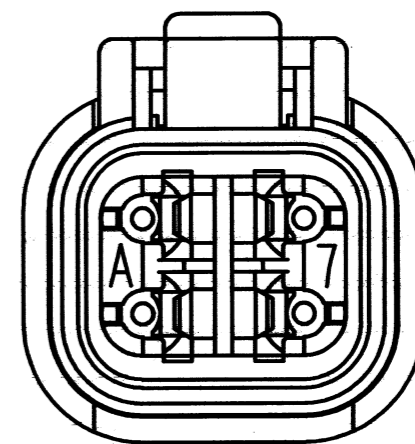
REVISIONS			
SYM	DESCRIPTION	DATE	APPROVED
NC	NEW RELEASE PER E.O. P16568	3-1-00	R.D.R.
A	REVISED PER E.O. P20687	3-25-11	<i>[Signature]</i>



3-DIMENSIONAL VIEW



勝特力電材超市-龍山店 886-3-5773766
 勝特力電材超市-光復店 886-3-5729570
 勝特力电子(上海) 86-21-34970699
 勝特力电子(深圳) 86-755-83298787
<http://www.100y.com.tw>



- NOTES:
1. DIMENSIONS ARE IN INCHES [MILLIMETERS].
 2. DIMENSIONS ARE ±.025[0.63] UNLESS OTHERWISE SPECIFIED.
 3. FOR CONTACTS AND WIRE PERFORMANCE AND APPLICATION CHARACTERISTICS SEE ENVELOPE DRAWING 0425-015-0000 AND 0425-017-0000.
 4. THIS PLUG MATES WITH DTM04-4P-**** RECEPTACLE (**** = ALL MODIFICATIONS). CONSULT FACTORY FOR MODIFICATIONS.

SIGNATURE & DATE	
DR	S. THEIS 2/29/00
CHK	<i>[Signature]</i> 3/23/2011
PE	<i>[Signature]</i> 3/18/11
APPD	<i>[Signature]</i> 3/12/11
SCALE	NONE
WT	

4 WAY PLUG
W/ EXTENDED CAP
E007 MOD
DTM SERIES

ENVELOPE

EP	MATL. CODE
3850 INDUSTRIAL AVE. HEMET, CA 92545	
B	DTM06-4S-E007
DWG SIZE	CODE SHEET OF
11139	