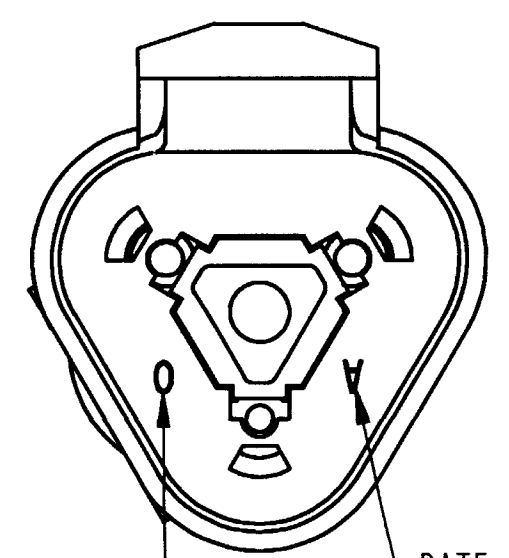


勝特力電材超市-龍山店 886-3-5773766
 勝特力電材超市-光復店 886-3-5729570
 勝特力電子(上海) 86-21-34970699
 勝特力電子(深圳) 86-755-83298787
<http://www.100y.com.tw>

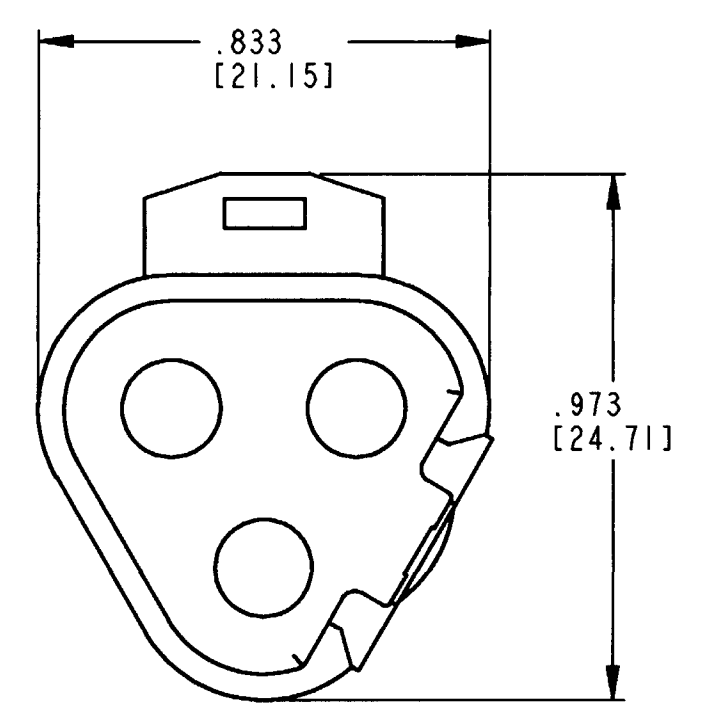
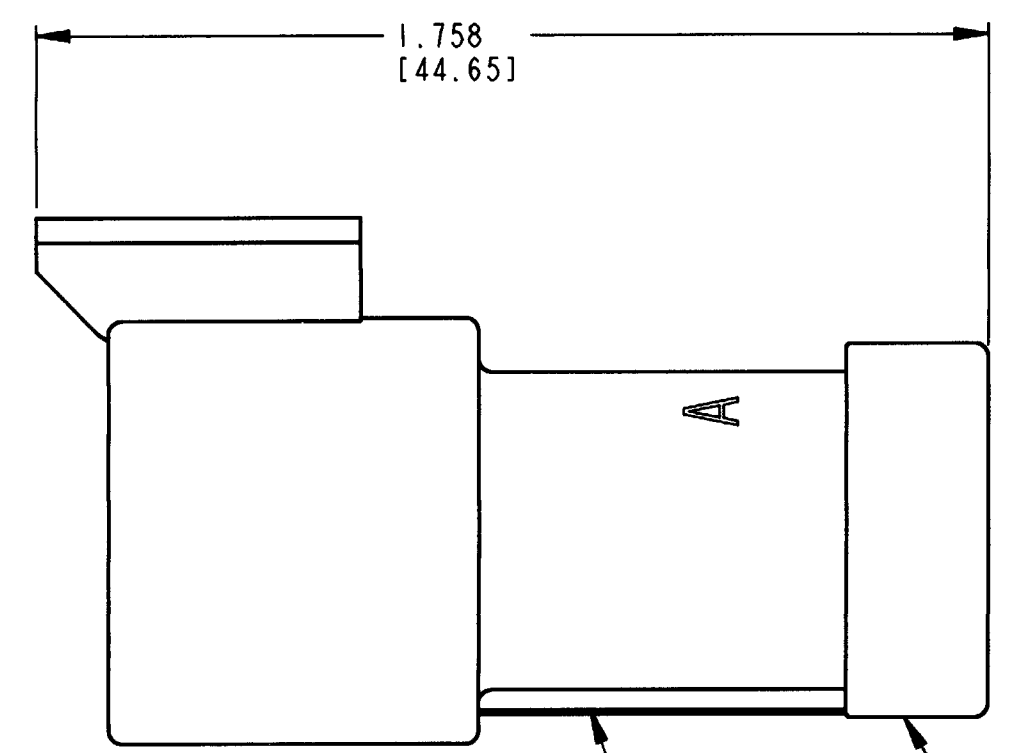
REV A DT04-3P-P006

REVISIONS			
SYM	DESCRIPTION	DATE	APPROVED
NC	NEW RELEASE PER E.O. A14933	1/4/96	RDR
A	REVISED PER E.O. P16179	7-13-99	RDR



DATE CODE:
MONTH IS REPRESENTED BY SEQUENTIAL ALPHA CHARACTERS.
EX: A=JANUARY

DATE CODE:
YEAR IS REPRESENTED BY LAST NUMERICAL DIGIT.
EX: 0=2000



5. 120Ω RESISTOR IS INSERTED INTO CAVITIES A AND B. RESISTOR CHARACTERISTICS: 120Ω ±10%, .4 WATTS MINIMUM.
4. THIS RECEPTACLE MATES WITH DT06-3S-**** PLUG (**** = J1939 ALL MODIFICATIONS). CONSULT FACTORY FOR MODIFICATIONS.
3. FOR CONTACTS AND WIRE PERFORMANCE AND APPLICATION CHARACTERISTICS SEE ENVELOPE DRAWING 0425-015-0000 AND 0425-017-0000.
2. DIMENSIONS ARE ±.025[0.63] UNLESS OTHERWISE SPECIFIED.
1. DIMENSIONS ARE IN INCHES [MILLIMETERS].

NOTES:

SIGNATURE & DATE	
DR	S. THEIS 7/7/99
CHK	<i>[Signature]</i> 7/13/99
PE	D. Theis 7-8-99
APPD	K. Reed 7-13-99
SCALE	3:1 WT

3 WAY RECEPTACLE
 DT SERIES
 (TERMINATING RECEPTACLE)
 -P006 MOD.

 ENVELOPE

CP	MATL. CODE
The Deutsch Company DEUTSCH I.P.D. 3850 INDUSTRIAL AVE. HEMET, CALIF. 92545	
B	DT04-3P-P006
DWG SIZE	CODE SHEET OF