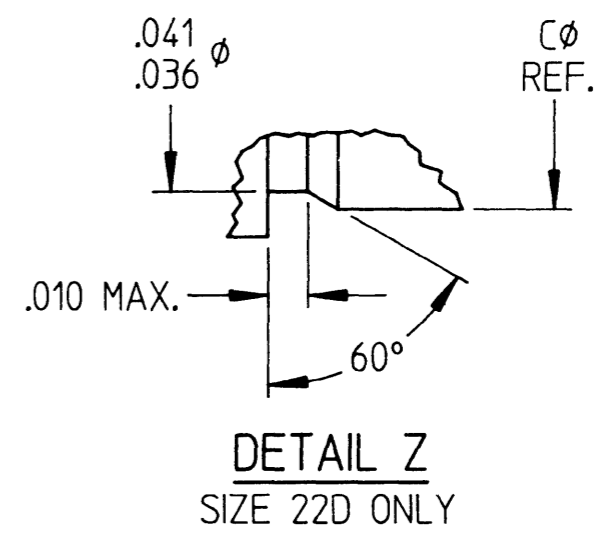
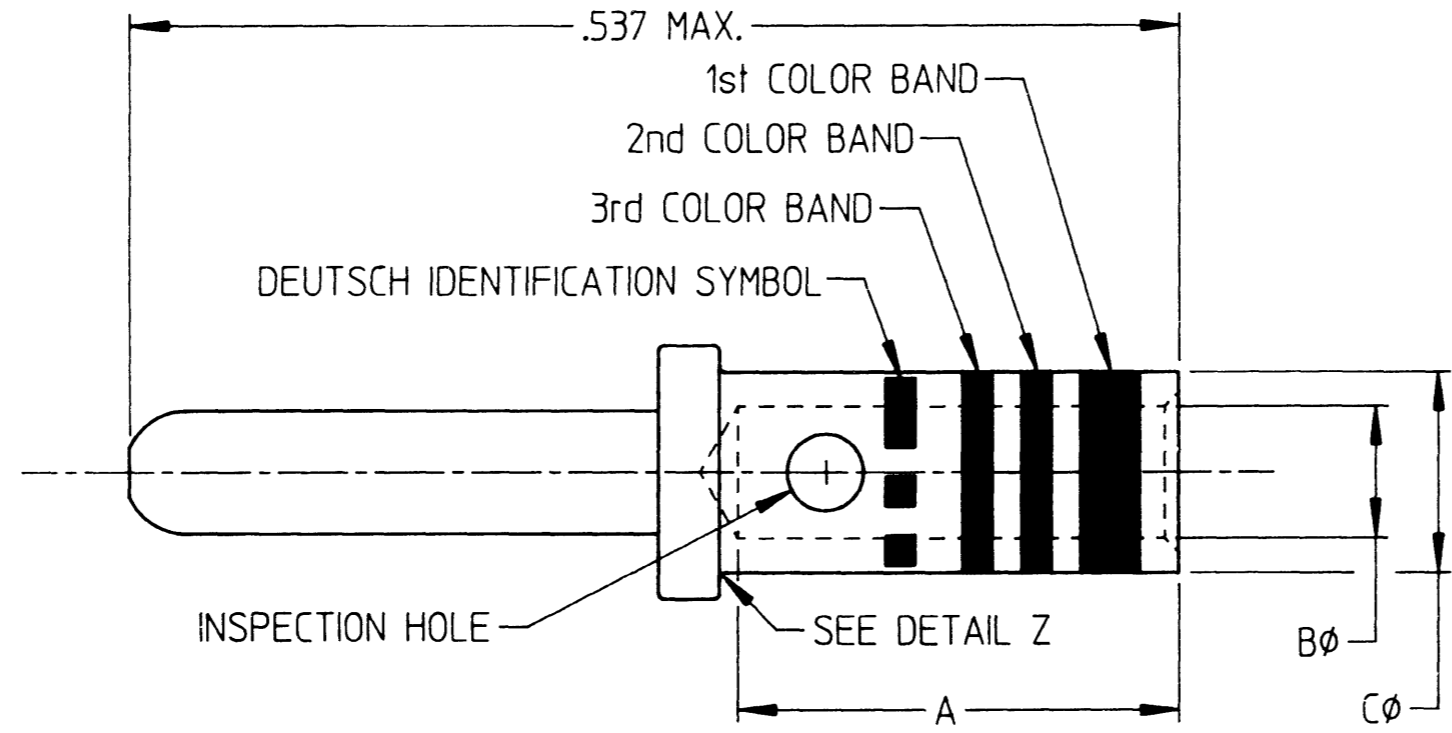


C	12331-**	REVISIONS		
		REV	DESCRIPTION	DATE
C		REVISED AND REDRAWN PER E.O. A12762	4-15-92	<i>[Signature]</i>



DEUTSCH PART NO. **	MILITARY PART NO.	COLOR BANDS			SIZE	WIRE GAGE RANGE	RECOMMENDED STRIP LENGTH	CRIMP TOOL	POSITIONER	A MIN.	B MIN.	C MAX.
		1st	2nd	3rd								
12331-22	MIL-C-39029/107-620	BLUE	RED	BLACK	22D	22, 24, 26, 28	.160 TO .190	M22520/2-01 M22520/7-01	M22520/2-09 M22520/7-07	.141	.0335	.048
12331-20	MIL-C-39029/107-621	BLUE	RED	BROWN	20	20, 22, 24	.230 TO .260	M22520/1-01 M22520/7-01	M22520/1-04 RED M22520/2-10 M22520/7-08	.209	.046	.070
12331-16	MIL-C-39029/107-622	BLUE	RED	RED	16	16, 18, 20	.230 TO .260	M22520/1-01 M22520/7-01	M22520/1-04 BLUE M22520/7-04	.209	.066	.103
12331-12	MIL-C-39029/107-623	BLUE	RED	ORANGE	12	12 AND 14	.230 TO .260	M22520/1-01	M22520/1-04 YELLOW	.209	.098	.151

- NOTE:
1. DIMENSIONS ARE IN INCHES UNLESS OTHERWISE SPECIFIED.
  2. FINISH: DEUTSCH ALLOY OVER NICKEL PER QQ-N-290.
  3. MATERIAL: COPPER ALLOY PER MIL-C-39029, COMPOSITION A.

SIGNATURE & DATE	
DR	R. GROSS 3-25-92
CHK	<i>Jo Powell</i> 4-15-92
PE	R. Gross 3-25-92
APPD	
SCALE	NONE
WT	

CONTACT, PIN  
 CRIMP TYPE  
 SIZE 22D THRU 12 FOR DG123  
 38999 INSERT TYPE CONNECTOR  
 ENVELOPE

CP	MATL CODE
<b>DEUTSCH</b> ENGINEERED CONNECTING DEVICES Municipal Airport Banning, California	
<b>B</b>	12331-**
DWG SIZE	CODE 1139 SHEET 1 OF 1

12331-XXENV\_C