
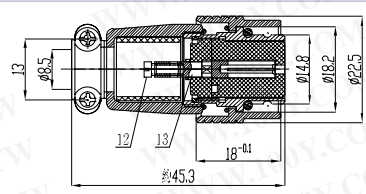

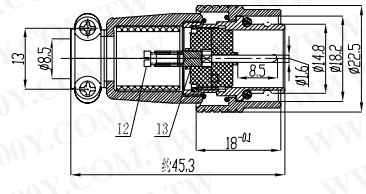

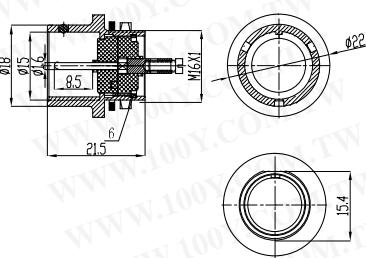

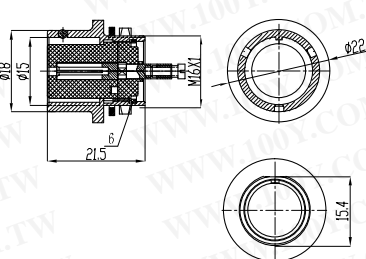

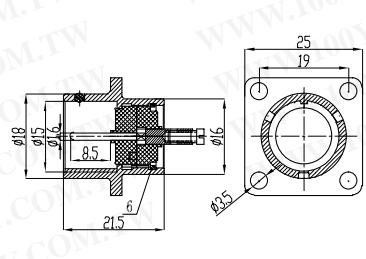

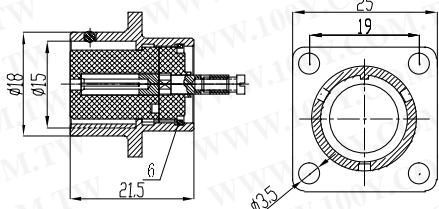

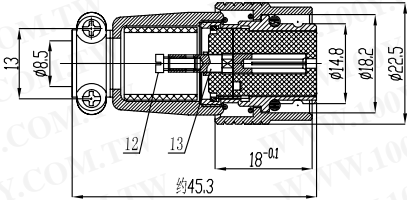

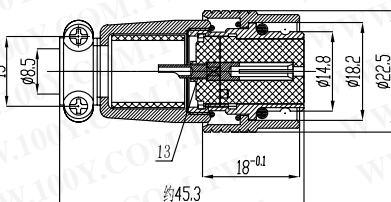

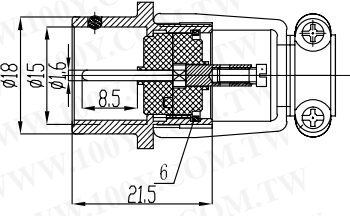

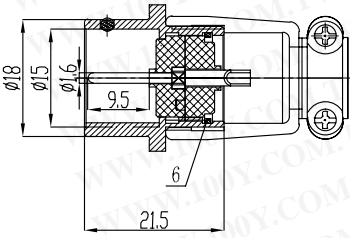

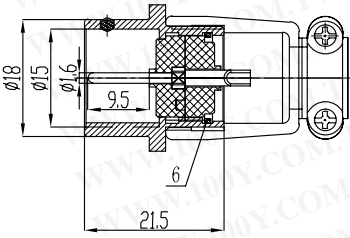

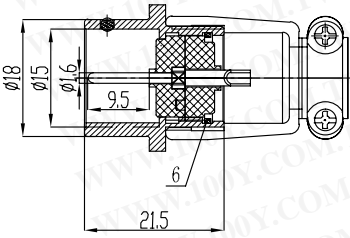

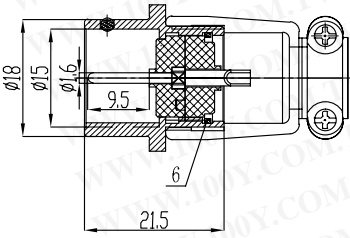

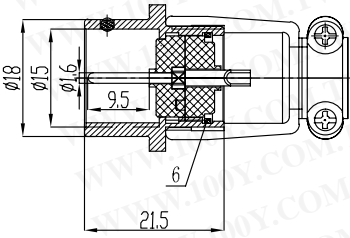

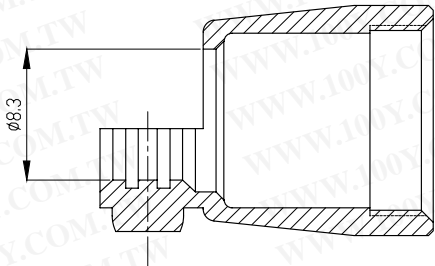




图例 Description-Figure	安装尺寸图 Drawing	芯数 Contacts	订货号 Ordering-NO
直式电缆母插头 Straight female plug IP65 		2 3 4 5 6 7 8 9	XS16-2A XS16-3A XS16-4A XS16-5A XS16-6A XS16-7A XS16-8A XS16-9A
直式电缆公插头 Straight male plug IP65 		2 3 4 5 6 7 8 9	XS16F-2A XS16F-3A XS16F-4A XS16F-5A XS16F-6A XS16F-7A XS16F-8A XS16F-9A
板前安装公插座 Panel front mount male socket IP65 		2 3 4 5 6 7 8 9	XS16-2B XS16-3B XS16-4B XS16-5B XS16-6B XS16-7B XS16-8B XS16-9B
板前安装母插座 Panel front mount female socket IP65 		2 3 4 5 6 7 8 9	XS16F-2B XS16F-3B XS16F-4B XS16F-5B XS16F-6B XS16F-7B XS16F-8B XS16F-9B
方形公插座 Square male socket IP65 		2 3 4 5 6 7 8 9	XS16-2H XS16-3H XS16-4H XS16-5H XS16-6H XS16-7H XS16-8H XS16-9H

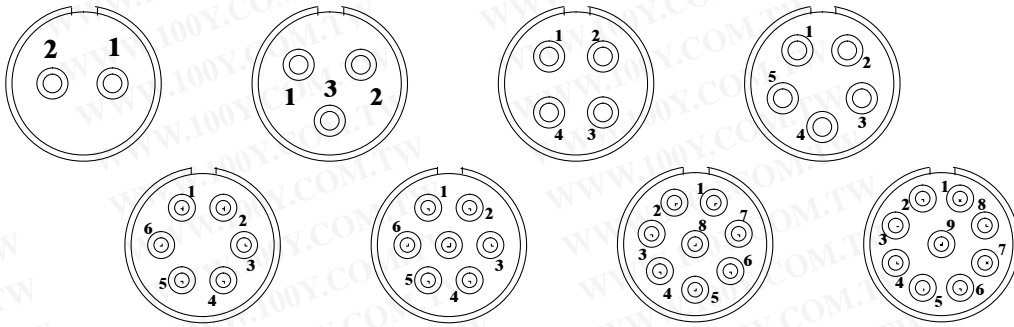
XS16



<p>图例 Description-Figure</p>	<p>安装尺寸图 Drawing</p>	<p>芯数 Contacts</p>	<p>订货号 Ordering-NO</p>
<p>方形母插座 Square female socket IP65</p> 		2	XS16F-2H
<p>电缆对接母插头 Female cable connecting plug IP55</p> 		2	XS16F-2K
<p>电缆对接公插头 Male cable connecting plug IP55</p> 		3	XS16F-3K
<p>电缆对接公插头 Male cable connecting plug IP55</p> 		4	XS16F-4K
<p>电缆对接公插头 Male cable connecting plug IP55</p> 		5	XS16F-5K
<p>电缆对接公插头 Male cable connecting plug IP55</p> 		6	XS16F-6K
<p>电缆对接公插头 Male cable connecting plug IP55</p> 		7	XS16F-7K
<p>电缆对接公插头 Male cable connecting plug IP55</p> 		8	XS16F-8K
<p>电缆对接公插头 Male cable connecting plug IP55</p> 		9	XS16F-9K
<p>头外壳过 8mm 的电线 Cable clamp for over 8mm</p> 			<p>选购 shopping</p>

孔位排列 (从针的方向看)

The hole place arranges(Comply with the needle direction)



材料和技术方式

Material and specifications

接插方式 Coupling	推入式快速锁紧 Push-Pull	接线方式 Termination	焊接 Solder
外壳材料 Shell material	锌基合金 (镀镍) Zinc alloys with nickelplate	接插次数 Mating cycle	500次 500
绝缘体 Insert material	电木 Bakelite	温度范围 Temperature range	-20°C ~ +85°C
接触体材料 Contact material	铜 (镀银 / 金) copper (silverplated/gold)	电缆直径 Cable diameter	$\leq \phi 7.5\text{mm} \sim \leq \phi 8.3\text{mm}$

技术参数

Technology parameter

芯数 NO.of contacts	2	3	4	5	6	7	8	9
额定电流 / 电压 Rated current/voltage	10A-200V	10A-200V	10A-125V	10A-125V	5A-125V	5A-125V	5A-125V	5A-125V
工作电压 (AC.V) 分钟 Operation limit voltage(AC.V.rms)	250	250	200	200	200	200	200	200
耐电压 (AC.V) 分钟 Withstanding voltage(AC.V.rms) 1 minute	2500	2500	1500	1500	1500	1500	1500	1500
绝缘阻抗 (MΩ) DC500V Insulation resistance(MΩ MIN.) at DC 500V	3000	3000	1500	1500	1500	1500	1500	1500
接触阻抗 (MΩ) DC1A Contact resistance (MΩ MAX.) AT DC 1A	10	10	10	10	10	10	10	10
焊杯口径 (mm) Solder cup mouth aperture	0.9	0.9	0.9	0.9	0.9	0.9	0.9	0.9
接触体孔径 (mm) Solder inter diameter	1.6	1.6	1.6	1.6	1	1	1	1