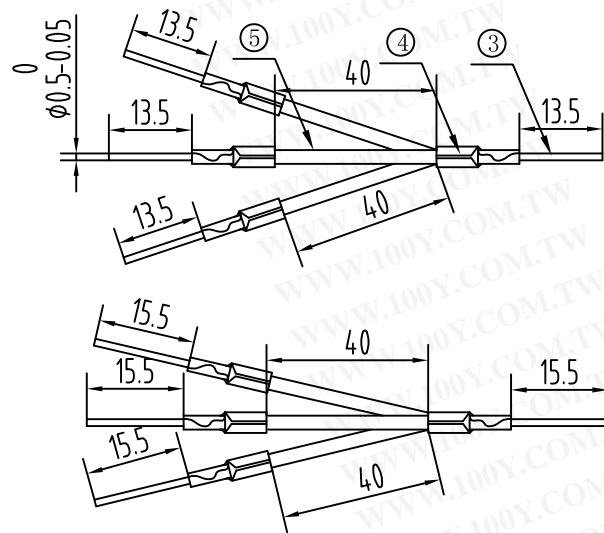
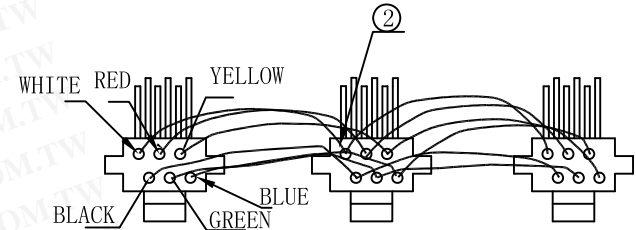
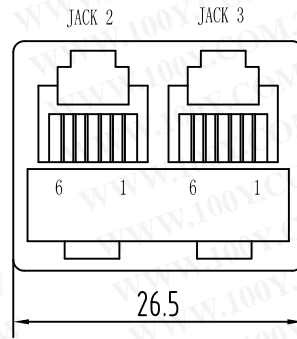
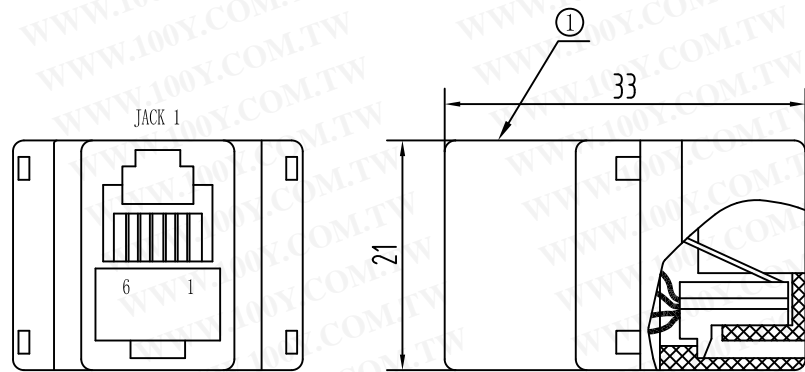


	REVISION RECORD MODIFICATIONS	DATE	REV.
△	NEW	2011/01/19	A/0



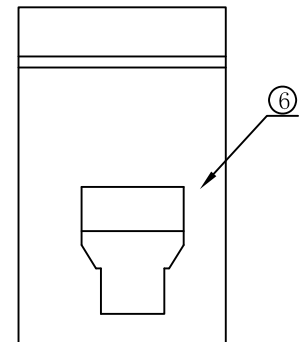
WHITE、RED、YELLOW

BLACK、GREEN、BLUE

WIRING DIAGRAM

JACK 1 (6P4C)	JACK 2 (6P4C)	JACK 3 (6P4C)
1 WHITE	1 WHITE	1
2 BLACK	2 BLACK	2
3 RED	3 RED	3
4 GREEN	4 GREEN	4
5 YELLOW	5 YELLOW	5
6 BLUE	6 BLUE	6

PACKING



NOTES:

1. Electrical testing:100%
2. Visual inspection:100%
3. ROHS Compliant

勝特力材料 886-3-5753170
 勝特力电子(上海) 86-21-34970699
 勝特力电子(深圳) 86-755-83298787
[Http://www.100y.com.tw](http://www.100y.com.tw)

MATERIAL LIST:

⑥	PE BAG	SPECIFICATINO:80*130*0.03MM	1	
⑤	LINE	OD:0.98 COLOR:WHITE、BLACK、RED、YELLOW、GREEN、BLUE	12	
④	ADAPTER SLEEVE	CU	18	
③	GOLD SILK	CU PLATE GL0D 3U"	18	
②	145 LOCK CORE	ABS COLOR:IVORY	3	
①	KD17-6PMolded case	ABS COLOR:IVORY	1	
NO.	MAT. NAME	DESCRIPTION	QT' Y	REMARK

DRAW NO.	PRODUCT NAME	2149A	
CUSTOMER	VIEW	TOLERANCE	
ITEM NO.		X.	±1.00
		X.X	±0.50
DRAWNBY	CHECKBY	APPOBY	UNTT
		HanYongXia	MM
		Blatt-Nr.	1/1