

勝特力材料 886-3-5753170
 勝特力电子(上海) 86-21-54151736
 勝特力电子(深圳) 86-755-83298787
 Http://www.100y.com.tw

| REVISION RECORD | | | | |
|-----------------|-----|--------------------|-----------------------|------|
| REV | ECO | DESCRIPTION | DRFT | CHKD |
| A | | 原始版本 | PEILEI 05.08.10 | |
| B | | 增加料号,更改图号增加 "HAXN" | xushiyong 07.02.05 | |

NOTES:

MATERIAL:

- 1.HOUSING MATERIAL :GLASS FILLED POLYESTER(UL94V-0).
- 2.CONTACT MATERIAL :PHOSPHOR BRONZE ϕ 0.46mm (C5100).
- 3.PLATING :GOLD PLATING OVER NICKEL.
- 4.SHIELD: COPPER ALLOY 0.20mm THICKNESS PLATING NI.

ELECTRICAL:

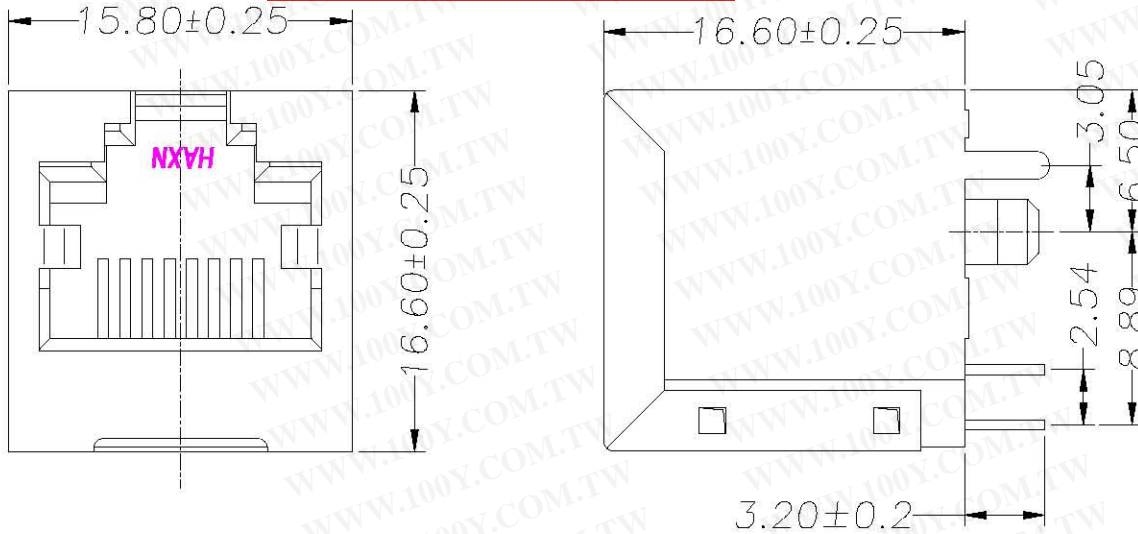
- 1.VOLTAGE RATING :125 VAC RMS.
- 2.CURRENT RATING :1.5 AMP.
- 3.CONTACT RESISTANCE :50 MILLIOHMS MAX.
- 4.INSULATION RESISTANCE :500 MEGOHMS MIN @ 500V DC.
- 5.DIELECTRIC WITHSTANDING RESISTANCE :1000V AC RMS 50Hz. 1MIN.

MECHANICAL:

- 1.DURRABILITY :750 CYCLES MIN.
- 2.PCB RETENTION PRE-SOLDER :1 LB MIN.

ENVIRONMENTAL:

- 1.STORAGE : -40°C TO +85°C.
 2. OPERATION : 0°C TO 70°C.
- MATES WITH MODULAR PLUG CONFORMING TO FCC PART 68,SUBPART F.



PART NUMBER:

B 5224-031881X1XX

5224 SERIES PCB JACK
(5224系列PCB接口)

SHIELD (屏蔽壳) :1-W/O SHIELD (非屏)
2-HALF SHIELD (半包) ;3-FULL SHIELD (全包)

PORTS (插口) :
1-1X1 (一口) . 4-1X4 (四口) . 8-1X8 (八口)

POSITIONS (金针位置) :
4-4POSITIONS (4P) ;6-8POSITIONS (6P)
8-8POSITIONS (8P) ;0-10POSITIONS (10P)

CONTACTS (金针根数) :4-4CONTACTS (4C)
6-6CONTACTS (6C) . 8-8CONTACTS (8C) . 0-10CONTACTS (10C)

PEG/TAB (边定位铁脚) :
0-W/O PEG (无铁脚) . 1-FRONT PEG 3.05 (前脚3.05) . 2-FRONT PEG3.68 (前脚3.68)
3-FRONT PEG4.57 (前脚4.57) . 4-BACK PEG3.05 (后脚3.05)

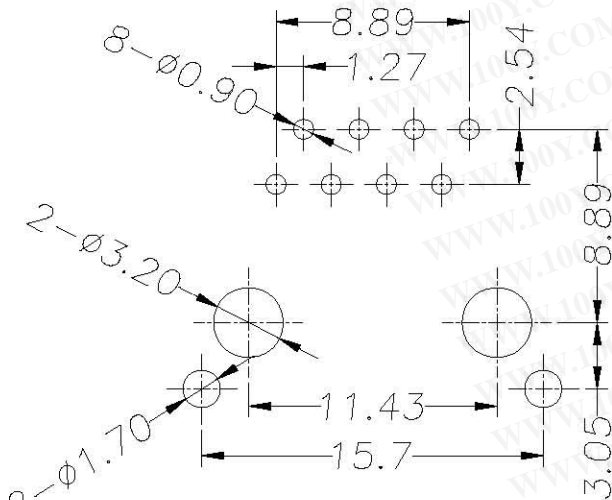
GOLD PLATING (镀金厚度)
1-F U". 2-1.5U". 3-3U". 4-6U".
5-15U". 6-30U". 7-50U"

LOGO (标识) :
0-W/O LOGO (无标识) .

1-W/ HAXN (有HAXN标识)
2-W/ UL (有UL标识) .
3-W/ HAXN. UL (有HAXN. UL)

COLOR (颜色) :1-BLACK (黑色) . 2-WHITE (白色)

PLASTIC (塑料) :
1-PBT. 2-NYLON66 (尼龙66) . 3-NYLON46 (尼龙46) .



PC Board Layout

| DETACHED LISTS | | 设计 PEILEI | 日期 05.08.09 | 系列 | 名称 |
|----------------|---|--------------|-------------|-------------|-------------------|
| 一般公差表 | | 审核 GANBO | 日期 05.08.10 | 52 | 522403-8P8C-1*1 |
| MM | ± | 批准 xushiyong | 日期 05.08.10 | 图号/B | ED-HX-5224-8P-002 |
| .0 ± 0.20 | ± | 材料: | | 料号: | 请查看注释 |
| .00 ± 0.15 | ± | 数量: | | | |
| .000 ± 0.075 | ± | 表面处理: | | | |
| 角度 ± 0.01° | | 比例: 1:1 | | | |
| 第三角视图 | | 不按比例 | | 共 1 页 第 1 页 | |