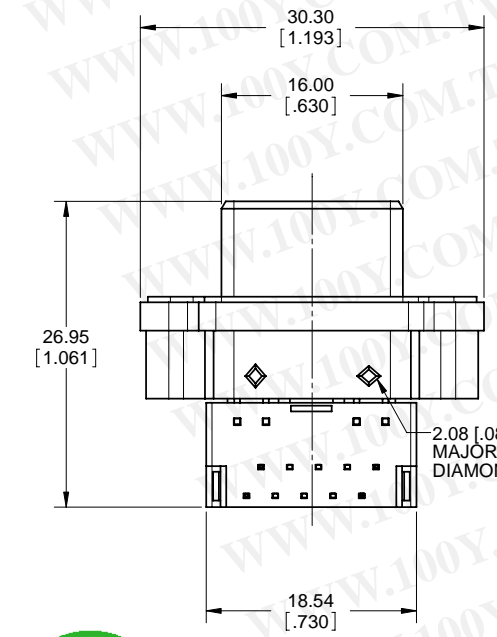
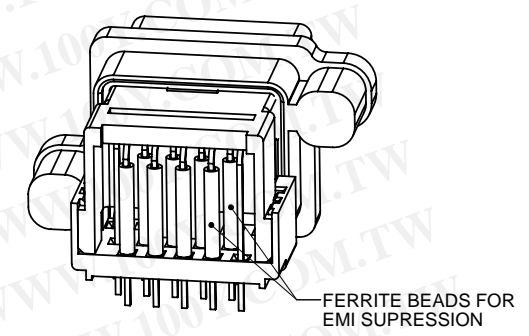
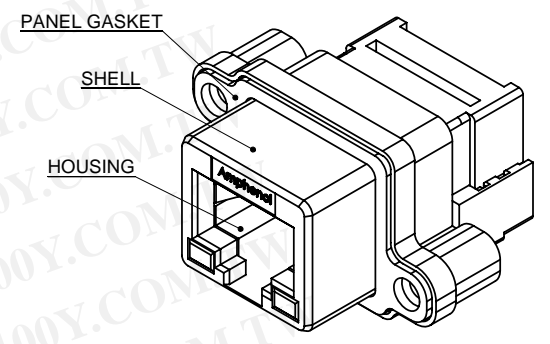
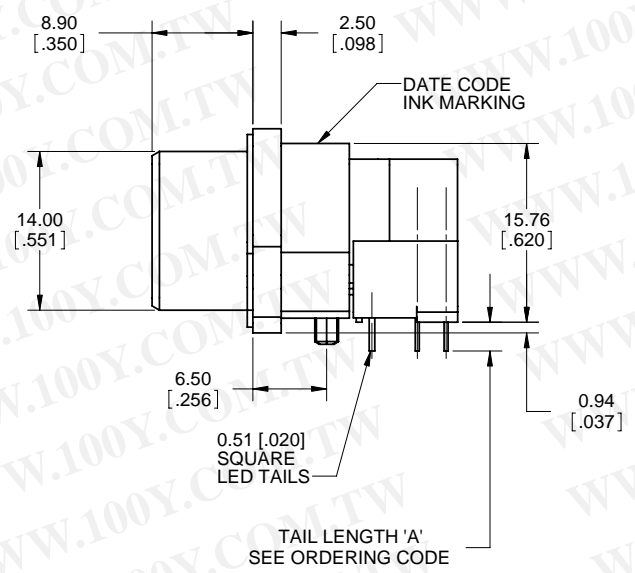
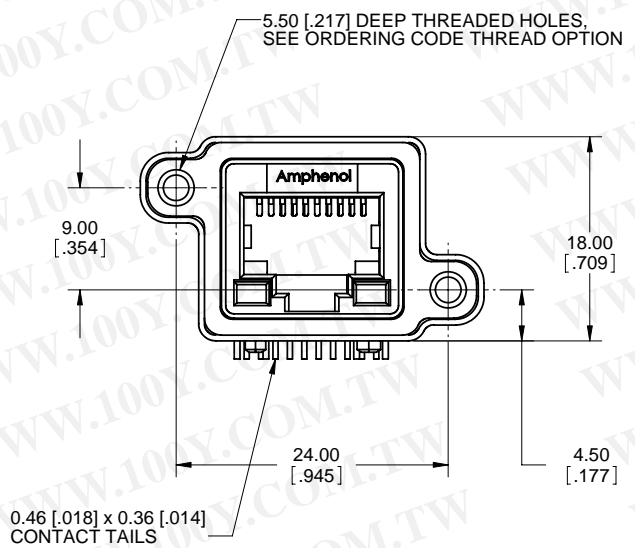


REVISIONS			
REV	ECN, ERN NO.	DATE	APPRD.
B	PRODUCT DRAWING (EAR 13542)	MAY26/09	K.L.



ORDERING CODE: **MRJ-63XX-X1**

SERIES, RUGGED RJ
 FILTERED RECEPTACLE, RIGHT ANGLE, PCB TAIL
 NUMBER OF CONTACTS
 8= 8 CONTACTS
 A=10 CONTACTS
 LED OPTION
 0=NONE
 1=GREEN LEFT, YELLOW RIGHT
 4=YELLOW LEFT, GREEN RIGHT
 5=GREEN LEFT, GREEN RIGHT
 TAIL LENGTH AND MOUNTING HOLE THREAD OPTION
 0= TAIL LENGTH A=2.54 [.100], #4-40 UNC THREAD
 B= TAIL LENGTH A=3.81 [.150], #4-40 UNC THREAD
 M= TAIL LENGTH A=2.54 [.100], M3 x 0.5 THREAD
 P= TAIL LENGTH A=3.81 [.150], M3 x 0.5 THREAD
 SINGLE PORT

NOTES:

- MATERIAL:
 ALL MATERIALS ARE RoHS COMPLIANT PER EU DIRECTIVE 2002/95/EC AND AMENDMENTS
 • SHELL - DIECAST ZINC, NICKEL PLATED
 • CONTACTS - PHOSPHOR BRONZE WITH 50 MICROINCHES (1.27 MICRONS) GOLD OVER 50 MICROINCHES (1.27 MICRONS) MINIMUM NICKEL ON THE MATING AREA AND MATTE TIN OVER NICKEL ON THE CONTACT TAILS.
 • INSERTS - ENGINEERING THERMOPLASTIC, UL FLAMMABILITY RATING 94V-0, REAR INSERTS: BLACK, FRONT INSERT: CLEAR
 • LED'S - EPOXY LENS, STEEL TAILS WITH TIN PLATING
 • GASKET - SILICONE RUBBER
- ENVIRONMENTAL PERFORMANCE PER IEC 60529 CODE IP67 FOR SEAL BETWEEN MATING AREA AND PCB SIDE OF CONNECTOR. GASKET PROVIDES FOR SEAL TO INSIDE FACE OF PANEL.
- CURRENT RATING: 1.5 AMPERES
- CONTACT RESISTANCE: 30 MILLIOHMS MAXIMUM
- OPERATING TEMPERATURE: -40C TO +105C
- MINIMUM IMPEDANCE (FERRITE): 38 OHMS AT 25 MHZ



勝特力材料 886-3-5753170
勝特力电子(上海) 86-21-34970699
勝特力电子(深圳) 86-755-83298787
[Http://www.100y.com.tw](http://www.100y.com.tw)

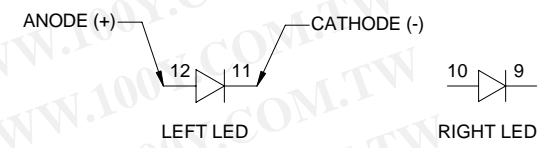
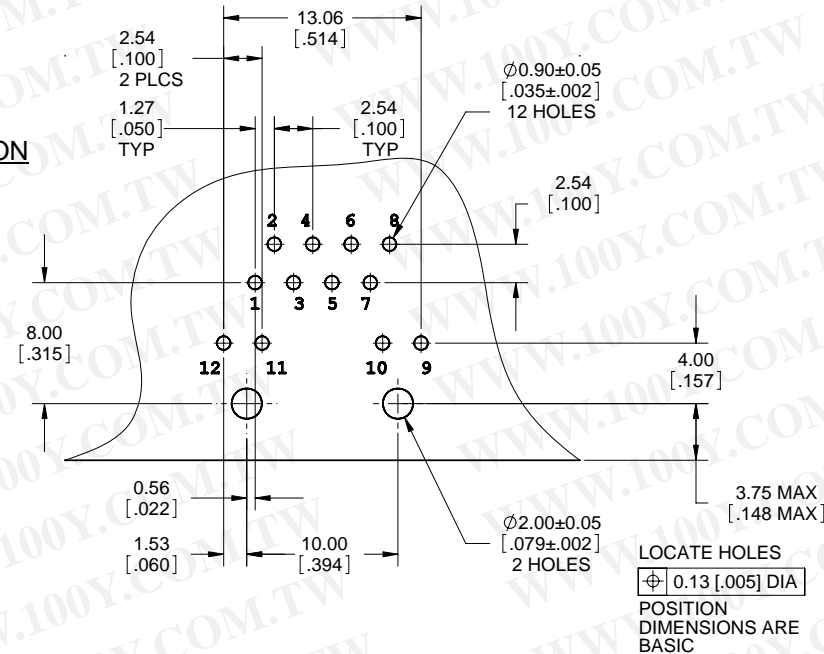
PROPRIETARY AND CONFIDENTIAL
 THIS DOCUMENT CONTAINS PROPRIETARY INFORMATION AND SUCH INFORMATION MAY NOT BE DISCLOSED TO OTHERS FOR ANY PURPOSE OR USED FOR MANUFACTURING PURPOSES WITHOUT WRITTEN PERMISSION FROM AMPHENOL CANADA CORP.

UNLESS OTHERWISE SPECIFIED:		DATE		Amphenol Canada Corp.
DIMENSIONS ARE IN MILLIMETERS		DESIGN: G. LI	JAN18/08	
TOLERANCES:		CHECKED		MRJ SERIES RUGGED MODULAR JACK, EMI FILTERED, 8 & 10 POSITION RIGHT ANGLE, WITH LED, TAIL LENGTH & THREAD OPTIONS, RoHS COMPLIANT
FRACTIONAL ±		D. A. APPRD		
ANGULAR MATCH ±		DWG. APPRD: K. LAMBIE		SIZE DWG. NO. REV C P-MRJ-63XX-X1 B
BEND ±		ENG. REL. NO. EAR 13217		
TWO PLACE DECIMAL ±		REF.		SCALE: 3:1 WEIGHT: SHEET 1 OF 2
THREE PLACE DECIMAL ±		DIMENSIONS ARE IN MILLIMETERS		
INTERPRET GEOMETRIC TOLERANCING PER:		CODE ID. NO.		
MATERIAL:		APPLICATION		
NEXT ASSY.		DO NOT SCALE DRAWING		
USED ON:				

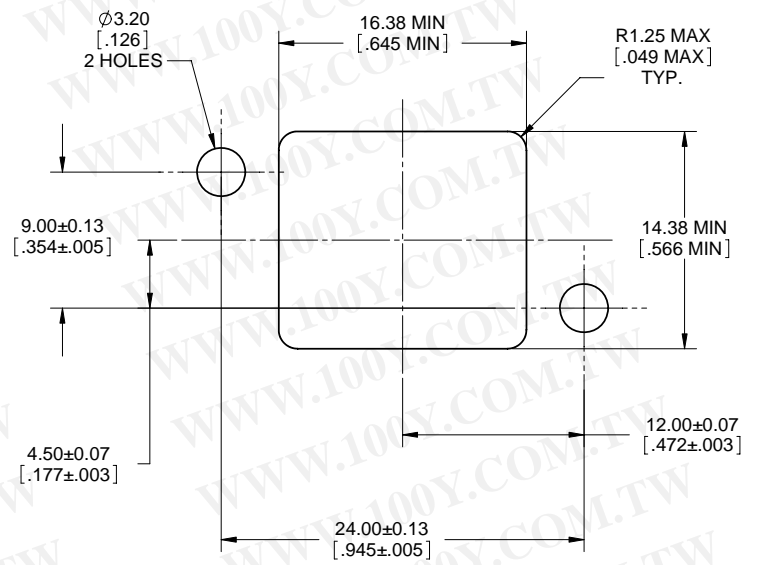
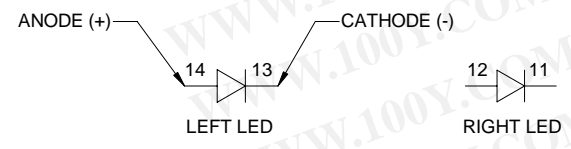
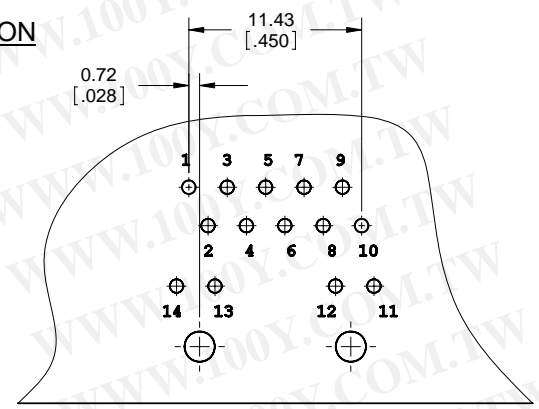
REVISIONS			
REV	ECN, ERN NO.	DATE	APPRD.
B	PRODUCT DRAWING (EAR 13542)	MAY26/09	K.L.

RECOMMENDED P.C.B. LAYOUT

8 POSITION VIEW



10 POSITION VIEW



RECOMMENDED PANEL CUTOUT

勝特力材料 886-3-5753170
勝特力电子(上海) 86-21-34970699
勝特力电子(深圳) 86-755-83298787
Http://www.100y.com.tw



PROPRIETARY AND CONFIDENTIAL
THIS DOCUMENT CONTAINS PROPRIETARY INFORMATION AND SUCH INFORMATION MAY NOT BE DISCLOSED TO OTHERS FOR ANY PURPOSE OR USED FOR MANUFACTURING PURPOSES WITHOUT WRITTEN PERMISSION FROM AMPHENOL CANADA CORP.

UNLESS OTHERWISE SPECIFIED:		DATE	Amphenol Canada Corp.
DIMENSIONS ARE IN MILLIMETERS		JAN18/08	
TOLERANCES:		DESIGNED	MRJ SERIES RUGGED MODULAR JACK, EMI FILTERED, 8 & 10 POSITION RIGHT ANGLE, WITH LED, TAIL LENGTH & THREAD OPTIONS, RoHS COMPLIANT
FRACTIONAL ±		CHECKED	
ANGULAR: MATCH BEND ±		I.E. APPRD.	
TWO PLACE DECIMAL ±		G.A. APPRD.	SIZE DWG. NO. REV C P-MRJ-63XX-X1 B
THREE PLACE DECIMAL ±		DWG. APPRD. K. LAMBIE JAN18/08	
INTERPRET GEOMETRIC TOLERANCING PER:		ENG. REL. NO. EAR 13217	SCALE: 4:1 WEIGHT: SHEET 2 OF 2
MATERIAL:		REF.	
NEXT ASSY.	USED ON	FINISH	DIMENSIONS ARE IN MILLIMETERS
APPLICATION		DO NOT SCALE DRAWING	CODE ID. NO.