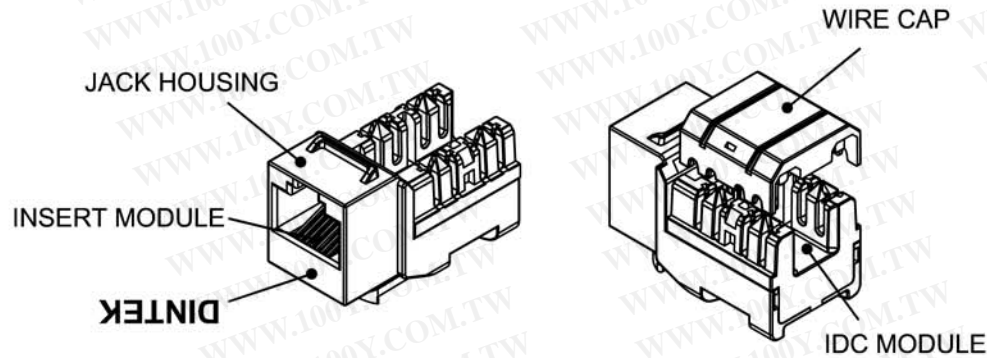
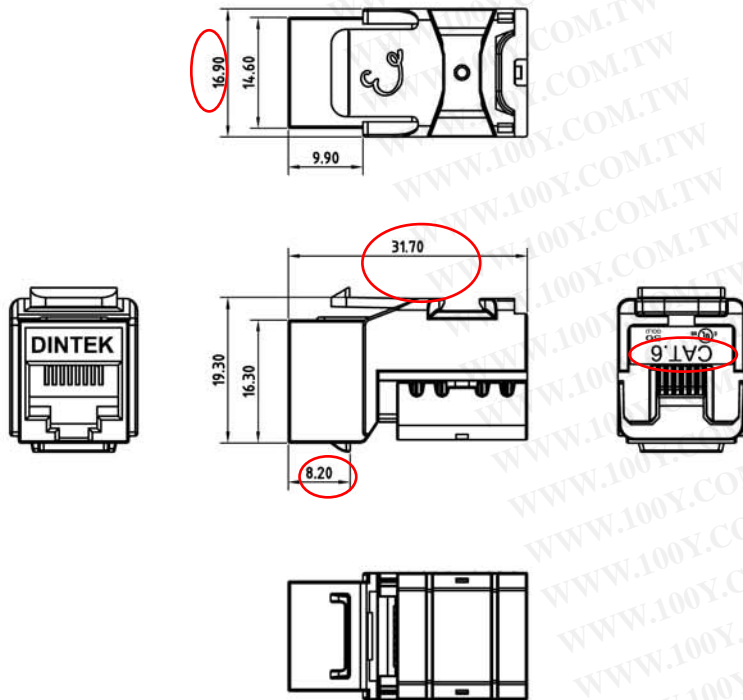


ISOMETRIC VIEW



ASSEMBLY DIMENSION



COMPONENTS		
4	IDC MODULE	1
3	WIRE CAP	1
2	INSERT MODULE	1
1	JACK HOUSING	1
ITEM	PART NAME	Q'TY

勝特力材料 886-8-5753170
 勝特力电子(上海) 86-21-34970699
 勝特力电子(深圳) 86-755-83298787
[Http://www.100y.com.tw](http://www.100y.com.tw)

Date	Description	Rev.

TRANSMISSION PERFORMANCE

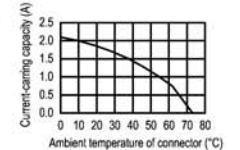
Meet TIA/EIA-568-B.2-1 Cat.6 15M Short Link requirements.

ENVIRONMENTAL CONDITIONS

Temperature Range
 Storage -40 to +70°C
 Operation -10 to +60°C
 Relative Humidity (Operational) : Maximum Noncondensing 93%

ELECTRICAL

Electrical Insulation Resistance : 500 MΩ min. @ 100V d.c
 Dielectric Withstanding Voltage : 1000V d.c. or a.c. Peak Contact to Contact @ 60Hz for 1 minute
 Spring Wire Contact Resistance : 20 mΩ Max.
 IDC Contact Resistance : 2.5 mΩ Max.
 Current Rating : as figure.



MECHANICAL

Retention : 50N (11 lbf) for 60s±5s
 Insertion / Extraction Life : 750 Cycles Minimum
 IDC Wire Gauge : 22 ~ 24 AWG

PHYSICAL

Housing : High-Impact, Flame-Retardant Plastic, UL 94V-0
 Spring Wire : Phosphor Bronze Alloy Plated With 50 micro-inch of Gold Over 70~100 micro-inch of Nickel
 IDC : Phosphor Bronze Alloy With 100 micro-inch 100% Sn Alloy

DINTEK ELECTRONIC LIMITED

DESCRIPTION:		TOLERANCE	
Cat. 6 E-Jack 90 degree. 24pcs/card box			
DRAWER	Steven Lee	APPROVE	1-9MM±0.2MM
PART NO	1305-04030	Peter	10-99MM ±1MM
	2011-08-01	EDITION	100-999MM±1.0MM
		0	1000-9999MM±1.00MM
		mm	10000-99999MM±1.000MM

NOTE:
 THESE DRAWINGS AND SPECIFICATIONS ARE THE PROPERTY OF DINTEK ELECTRONIC LTD AND SHALL NOT AND REPRODUCED COPIED OR USED IN ANY MANNER WITHOUT THE PRIOR WRITTEN CONSENT OF DINTEK ELECTRONIC LTD.