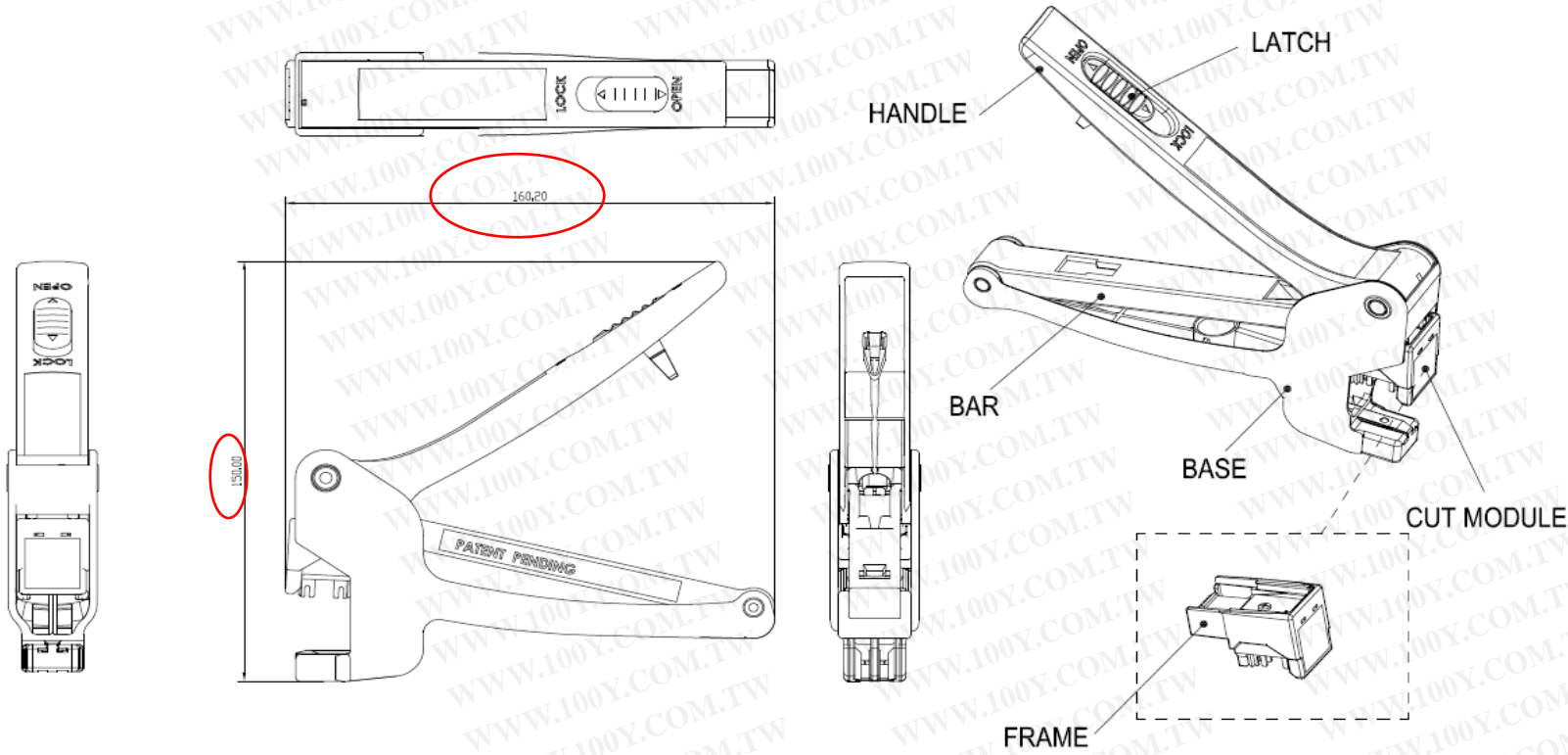


勝特力材料 886-3-5753170  
 勝特力电子(上海) 86-21-34970699  
 勝特力电子(深圳) 86-755-83298787  
 Http://www.100y.com.tw

Date	Description	Rev.



M'TL : 1. LATCH / FRAME : PC  
 2. BASE/HANDLE/BAR : Aluminum Alloy

DINTEK ELECTRONIC LIMITED		
DESCRIPTION: Tools series.punch down type.110 type.for Cat.5e&Cat.6 E jack tools		TOLERANCE
DRAWER Peter	APPROVE Jason	1-9MM+-.02MM
PART NO 6103-01005	EDITION 0	10-99MM+-.1MM
2009.009.14	mm	100-999MM+-10MM
NOTE: THESE DRAWINGS AND SPECIFICATIONS ARE THE PROPERTY OF DINTEK ELECTRONIC LTD. AND SHALL NOT AND REPRODUCED COPIED OR USED IN ANY MANNER WITHOUT THE PRIOR WRITTEN CONSENT OF DINTEK ELECTRONIC LTD.		

VERSION: E



**DINTEK**  
LAN CABLEING SYSTEMS

E-CONNECTIC SYSTEM

**E-JACK CRIMP TOOL** Model No. 6103-0100

For use with DINTEK Cat 5e & Cat 6 E-Jacks

Model No. 1305-03030 Cat 5e E-Jack

Model No. 1305-04017 Cat 6 E-Jack





## Termination

STEP 1



Strip off at least 1.2 inches  
of jacket from end of cable.

STEP 2



Press the wire through the crimping  
portion of terminals until back.

STEP 3



Insert E-wire into the jaws.



STEP 4



Press E-hand to terminate  
E-cable and cut extra wire.

STEP 5



Place termination cap on E-cable  
and press to make sure it is fully  
seated.

## Cutting Module Assembly

Hold the new cutting  
module into the  
module holder.



Use the pulled  
wire driver to push  
out the cutting module.

## Handle Lock

USE  
Press the switch  
downward to open  
the handle.



STORAGE  
Press the  
switch upward  
to lock the handle.

