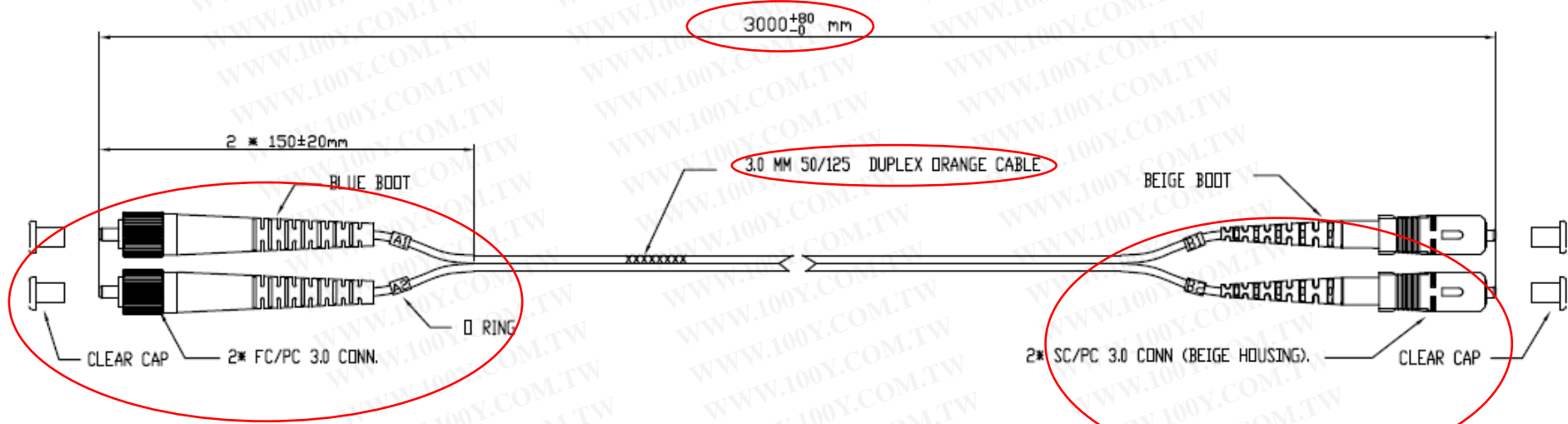


勝特力材料 886-3-5753170  
 勝特力电子(上海) 86-21-34970699  
 勝特力电子(深圳) 86-755-83298787  
 Http://www.100y.com.tw

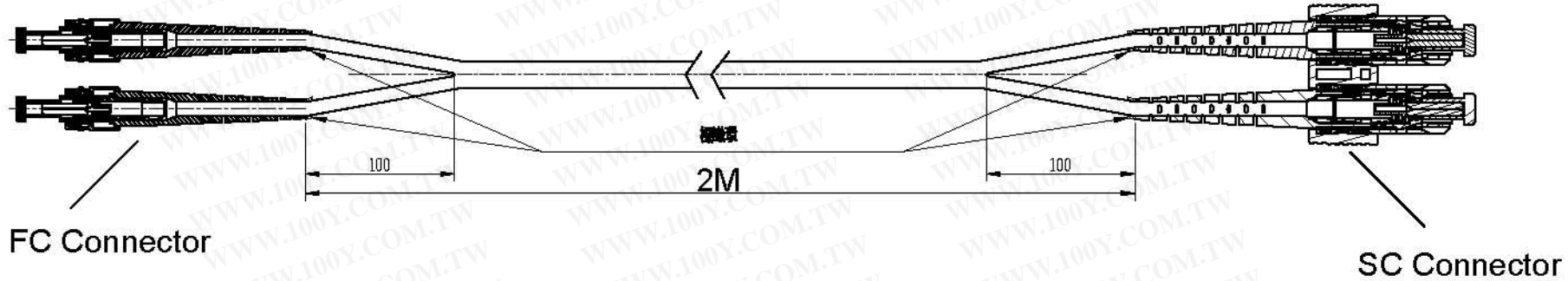



NOTES:

1. IL < 0.3dB
2. Wavelength: 850±30nm
3. 3D : SC/FC R.O.C : 10~25mm ; Apex Offset: 0~50um;  
Fiber Height: ±50nm;
4. The connector kit should meet RoHS
5. End face, Appearance should reference to the FOXCONN's standard
6. One piece in one packing bag ,other packing should reference to the FOXCONN's standard

DINTEK ELECTRONIC LIMITED		
DESCRIPTION		TOLERANCE
Fiber patch cord 50/125um MM SC/FC		
DRAWER	APPROVE	1-9MM+0.2MM 10~99MM+1MM 100~999MM+10MM 1000~9999MM+100MM 10000~99999MM+1000MM
Peter	Jason	
PART NO	EDITION	
2104-04012	2	
DATE	UNIT	
2009.06.18	mm	
NOTE: THESE DRAWINGS AND SPECIFICATIONS ARE THE PROPERTY OF DINTEK ELECTRONIC LTD. AND SHALL NOT AND		

Date	Description	Rev.



**NOTES:**

- 1.INSERTION LOSS:  $\leq 0.30\text{dB (PC)}$   $\leq 0.20\text{dB (UPC)}$   $\leq 0.25\text{dB (SPC)}$ .
- 2.RETURN LOSS:  $\geq 45\text{ dB PC POLISHING.}$   
 $\geq 50\text{ dB SPC POLISHING.}$   
 $\geq 55\text{dB UPC POLISHING.}$

Fiber patch cord, 62.5/125um, multi-mode, duplex, FC/SC, 2M

w/DINTEK logo.

DINTEK ELECTRONIC LIMITED		
DESCRIPTION		TOLERANCE
FIBER PATCH CORD,MM, FC-SC, 2M		1-9MM+ 0.2MM 10~99MM+ 1MM 100~999MM+ 10MM 1000~9999MM+ 100MM 10000~99999MM+ 1000MM
DRAWER	APPROVE.	
KATY	Avin	
PART NO	EDITION	
2104-04011	2	
DATE	UNIT	
2006.08.01	mm	
NOTE: THESE DRAWINGS AND SPECIFICATIONS ARE THE PROPERTY OF DINTEK ELECTRONIC LTD. AND SHALL NOT AND REPRODUCED COPIED OR USED IN ANY MANNER WITHOUT THE PRIOR WRITTEN CONSENT OF DINTEK ELECTRONIC LTD.		

**VERSION: E**



## 光纖跳接線(Fiber Optic patch cords)



### 特徵

- 外被覆以防火外被(PVC), 延緩燃燒材質
- 用於連接光纖設備到光纖接線箱(LIU)或到光纖插座的連線
- 光纖接頭使用高精密度陶瓷管(CERAMIC)
- 可提供 ST/SC/LC 等接頭搭配組合-2.3.4(2)D
- 長度可接受訂製-2.3.4(2)C

### 符合標準

- Bellcord
- NTT compatible SC type

### 應用

- 區域網路 (LAN)
- 10Base-T, 100Base-T, 1000Base-T, ATM
- Drop ceiling
- Inter-building
- Backbone premise pathways

機械特性：		
光纖種類	多模態光纖	單模態光纖
規格		
裸光纖纖核直徑：	50 / 125 ±3.0 MICRONS	9/ 125 ±1.0 MICRONS-2.3.4(3)A
光纜型態：	Simplex cable/Duplex cable	
儲存溫度：	-40 <sup>o</sup> ~70 <sup>o</sup> C	-40 <sup>o</sup> ~70 <sup>o</sup> C
佈放溫度：	-40 <sup>o</sup> ~70 <sup>o</sup> C	-40 <sup>o</sup> ~70 <sup>o</sup> C
操作溫度：	-20 <sup>o</sup> ~70 <sup>o</sup> C	-20 <sup>o</sup> ~70 <sup>o</sup> C
光纖芯數：	62.5µ m core 125µ m cladding 250µ m coating 900µ m buffering	8.3µ m core 250µ m coating 900µ m buffering
插入損失 (insertion loss)：	<0.3dB-2.3.4(2)B	<0.3dB



光纖規格		單模 9/125μ m (1310/1550 nm)	多模 50/125μ m (850/1300 nm)	多模 62.5/125μ m (850/1300 nm)
最大衰減量：		<0.4/0.25 dB/Km	<4.0/1.5 dB/Km	<4.0/1.5 dB/Km
頻寬：		-	>400/400 MHz /KM	>160/500 MHz /KM
零色散：		1310±10nm	-	-
最大色散：	1285~1330nm	2.8ps/nm-Km	-	-
	1550nm	18ps/nm-Km	-	-
最大色散斜率：		0.092ps/nm <sup>2</sup> -Km	-	-
模場直徑：		8.8±0.5μ m at 1300nm	-	-
截止波長：		1180~1320	-	-

勝特力材料 886-3-5753170  
 勝特力电子(上海) 86-21-34970699  
 勝特力电子(深圳) 86-755-83298787  
[Http://www.100y.com.tw](http://www.100y.com.tw)