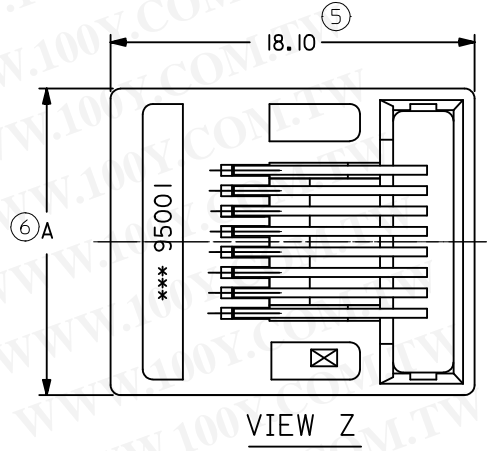
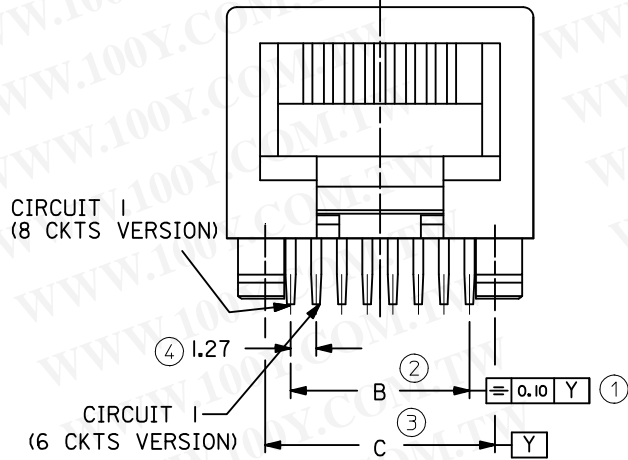
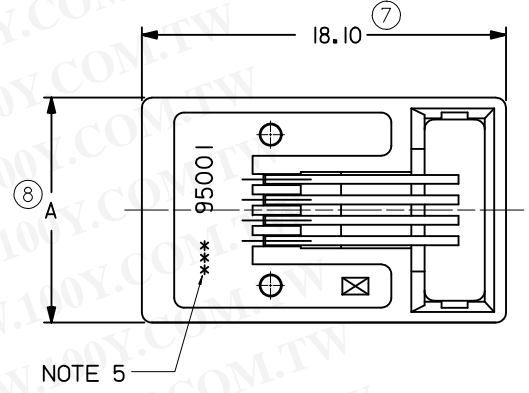


6 & 8 VERSIONS

8 VERSION SHOWN



4 VERSION ONLY



NOTES :

1- MATERIAL:

- HOUSING: LCP GLASS FILLED UL 94V-0, COLOUR BLACK.
- TERMINAL: COPPER ALLOY

PLATING 2:

POST PLATE 0.00127 MIN GOLD IN CONTACT AREA
0.00190 MIN PURE TIN IN TAIL AREA
BOTH OVER 0.00127 MIN NICKEL OVERALL.

PLATING 7:

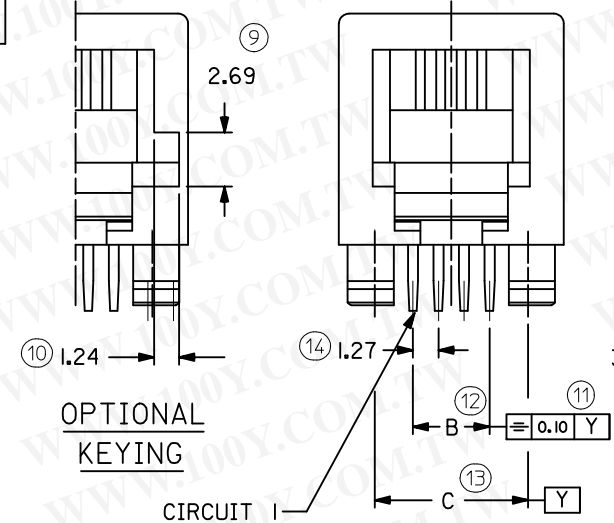
POST PLATE 0.00005 MIN. GOLD FLASH OVER
0.00060 MIN PALLADIUM-NICKEL IN CONTACT AREA
0.00190 MIN PURE TIN IN TAIL AREA
BOTH OVER 0.00127 MIN NICKEL OVERALL.

- 2- JACK FOR MATING WITH F.C.C. 68 PLUGS 90075 MOLEX SERIES.
- 3- PRODUCT SPECIFICATION PS-95501.
- 4- PACKAGING SPECIFICATION PK-95001; STANDARD PACKAGING SHEET 1. SPECIAL PACKAGING SHEET 2, TUBE PACKAGING SHEET 3.
- 5- MANUFACTURING I.D. CAN BE EITHER MXF, MG OR MXI.
- 6- RECOMMENDED PCB THICKNESS: 1.57mm
INSPECTION NUMBERS USED: 1 - 50
LAST INSPECTION NUMBER: 21

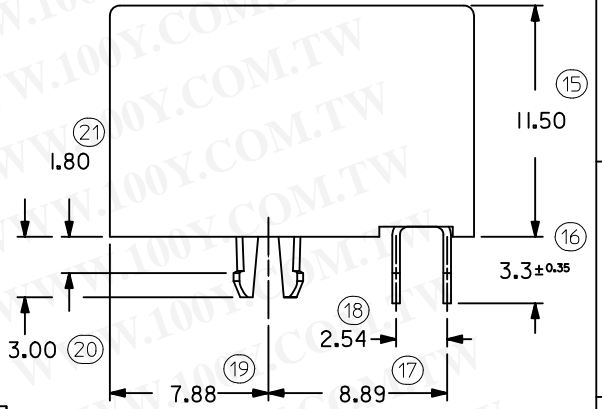
VIEW Z

OPTIONAL KEYING

CIRCUIT 1 (4 CKTS VERSION)



NOTE 5



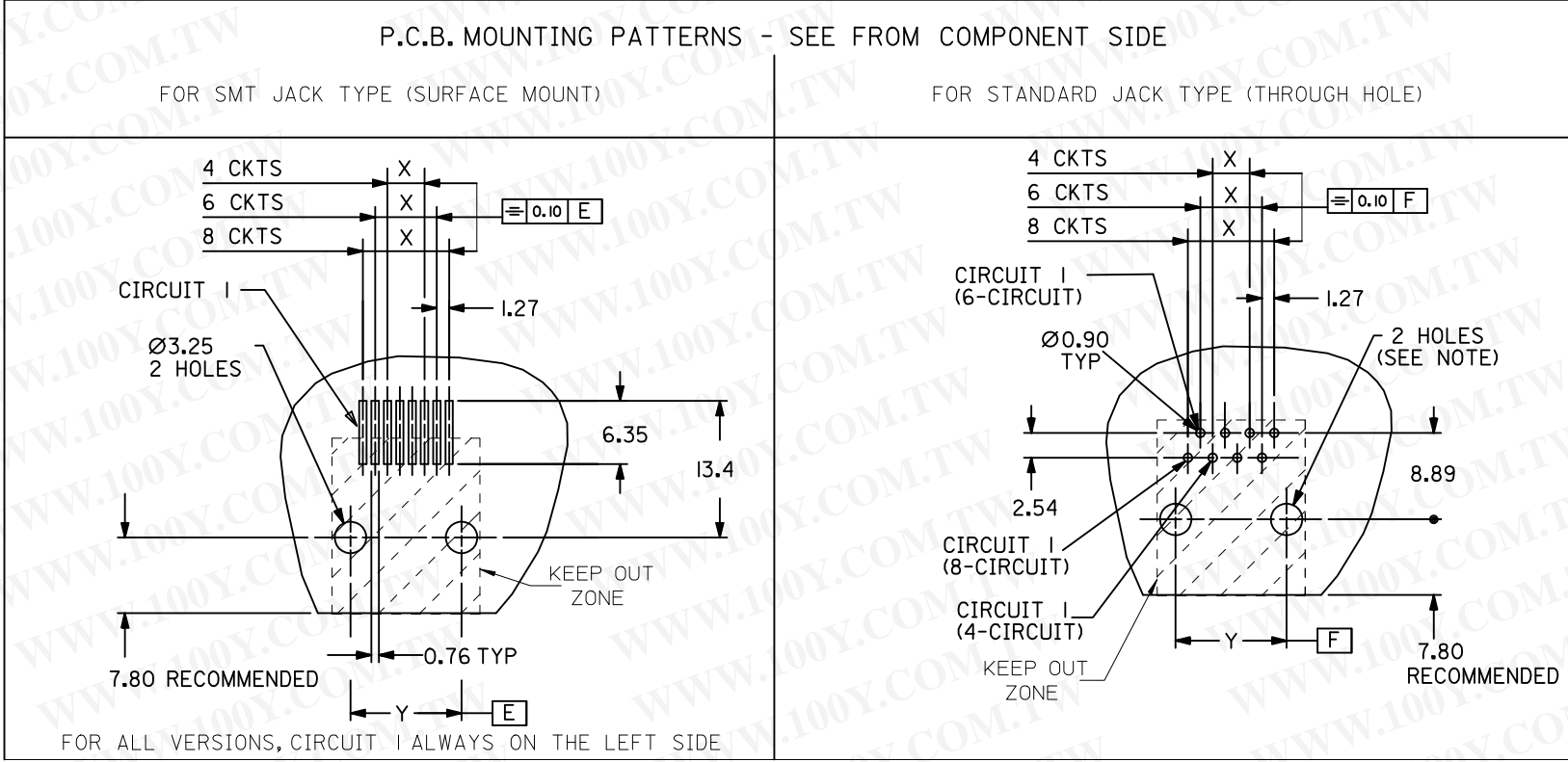
勝特力材料 886-3-5753170
勝特力电子(上海) 86-21-34970699
勝特力电子(深圳) 86-755-83298787
[Http://www.100y.com.tw](http://www.100y.com.tw)

DIM.	TYPE	POS. 4		POS. 6		POS. 8
		4 CKTS.	4 CKTS.	6 CKTS.	6 CKTS.	8 CKTS.
A		11.18	13.21	13.21	13.21	15.24
C		7.62	10.16	10.16	10.16	11.43
B		3.81	3.81	6.35	6.35	8.89

MODIFIED NOTES. EC NO: E2012-0079 DRWN: JOCANNOR 2011/02/23 CHKD: [blank] APPR: EFOLAN 2011/09/28	QUALITY SYMBOLS ▽ = 0 ◻ = 0	GENERAL TOLERANCES (UNLESS SPECIFIED) mm INCH 4 PLACES ± --- ± --- 3 PLACES ± --- ± --- 2 PLACES ± 0.15 ± --- 1 PLACE ± 0.25 ± --- ANGULAR ± ---°	DIMENSION STYLE MM ONLY DRAWN BY: DBYRNES CHECKED BY: EOMAHONY APPROVED BY: EOMAHONY MATERIAL NO. SEE CHART, SHEETS 4 & 5	DIMENSION STYLE MM ONLY DATE: 2006/08/02 DATE: 2006/08/12 DATE: 2006/08/12	SCALE: 4:1 DESIGN UNITS: METRIC THIRD ANGLE PROJECTION	TITLE: R/A LOW PROFILE PC JACK 4,6,8 CKTS SIZE THROUGH HOLE VERSION MOLEX INCORPORATED DOCUMENT NO. SD-95501-001 SHEET NO. 1 OF 5
	DRAFT WHERE APPLICABLE MUST REMAIN WITHIN DIMENSIONS					
	THIS DRAWING CONTAINS INFORMATION THAT IS PROPRIETARY TO MOLEX INCORPORATED AND SHOULD NOT BE USED WITHOUT WRITTEN PERMISSION					
	SIZE A3					

勝特力材料 886-3-5753170
勝特力电子(上海) 86-21-34970699
勝特力电子(深圳) 86-755-83298787
[Http://www.100y.com.tw](http://www.100y.com.tw)

TYPE \ DIM.	POS. 4	POS. 6		POS. 8
	4 CKTS.	4 CKTS.	6 CKTS.	8 CKTS.
Y ±0.05	7.62	10.16	10.16	11.43
X ±0.05	3.81	3.81	6.35	8.89



NOTE:
 FOR CONVECTION SOLDERING: DIA 3.25±0.05
 FOR WAVE SOLDERING: DIA 3.20±0.10
 ALL DIMENSIONS REF DIMENSIONS

REMOVED INCHES EC NO: E2012-0079 DRWN: JCONNOR 2011/02/23 CHKD: APPR: EFOLAN 2011/09/28	QUALITY SYMBOLS	GENERAL TOLERANCES (UNLESS SPECIFIED)	DIMENSION STYLE	SCALE	DESIGN UNITS	THIRD ANGLE PROJECTION
	▼=0 □=0	mm INCH 4 PLACES ± --- ± --- 3 PLACES ± --- ± --- 2 PLACES ± 0.15 ± --- 1 PLACE ± 0.25 ± --- ANGULAR ± ---°	MM ONLY	2:1	METRIC	☉ □ THIRD ANGLE PROJECTION
		DRAFT WHERE APPLICABLE MUST REMAIN WITHIN DIMENSIONS	DRAWN BY: DBYRNES CHECKED BY: EOMAHONY APPROVED BY: EOMAHONY MATERIAL NO.	DATE: 2006/08/02 DATE: 2006/08/12 DATE: 2006/08/12	TITLE	R/A LOW PROFILE JACK PC JACK 4,6,8 CKT SIZE SMT AND STANDARD VERSION
			SEE CHART SHEETS 4 & 5		MOLEX INCORPORATED DOCUMENT NO. SD-95501-001	SHEET NO. 3 OF 5

STANDARD PACKAGING OPEN TRAY ,SEE PACKAGING SPEC PK95001 SHEET 1

PART NO FOR JACK ASSEMBLY
THROUGH HOLE VERSION

HOUSING SIZE	LOADED CONTACTS	PLATING	LCP GLASS FILED 94V0,COLOR BLACK.					
			NO KEY		KEY			
			NOT RIBBED	TOOLED	NOT RIBBED	TOOLED	TOOLED	TOOLED
4	4	2	95501-2441	X				
		7	95501-7441	X				
6	4	2	95501-2641	X				
		7	95501-7641	X				
6	6	2	95501-2661	X				
		7	95501-7661	X				
8	8	2	95501-2881	X	95501-2882	X		
		7	95501-7881	X	95501-7882	X		

勝特力材料 886-3-5753170
勝特力电子(上海) 86-21-34970699
勝特力电子(深圳) 86-755-83298787
[Http://www.100y.com.tw](http://www.100y.com.tw)

ADDED OPTIONS EC NO: E2012-0079 DRWN: JCONNOR 2011/02/23 CHKD: APPR: EFOLAN 2011/09/28 REV	QUALITY SYMBOLS ▽=0 ◻=0	GENERAL TOLERANCES (UNLESS SPECIFIED) mm INCH 4 PLACES ± --- ± --- 3 PLACES ± --- ± --- 2 PLACES ± --- ± --- 1 PLACE ± --- ± --- ANGULAR ± ---°	DIMENSION STYLE MM ONLY DRAWN BY: DBYRNES DATE: 2006/08/02 CHECKED BY: EOMAHONY DATE: 2006/08/12 APPROVED BY: EOMAHONY DATE: 2006/08/12 MATERIAL NO.	SCALE: --- DESIGN UNITS: METRIC THIRD ANGLE PROJECTION	TITLE: LOW PROFILE R/A JACK STANDARD T/HOLE VERSION STANDARD OPEN TRAY VERS MOLEX INCORPORATED DOCUMENT NO. SD-95501-001 SHEET NO. 4 OF 5
	DRAFT WHERE APPLICABLE MUST REMAIN WITHIN DIMENSIONS	SEE CHART	THIS DRAWING CONTAINS INFORMATION THAT IS PROPRIETARY TO MOLEX INCORPORATED AND SHOULD NOT BE USED WITHOUT WRITTEN PERMISSION		