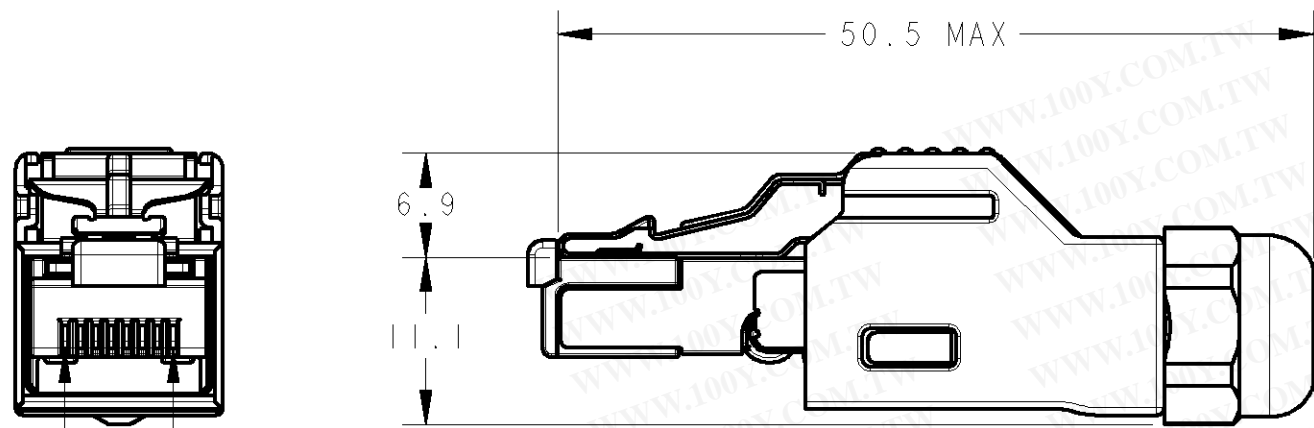


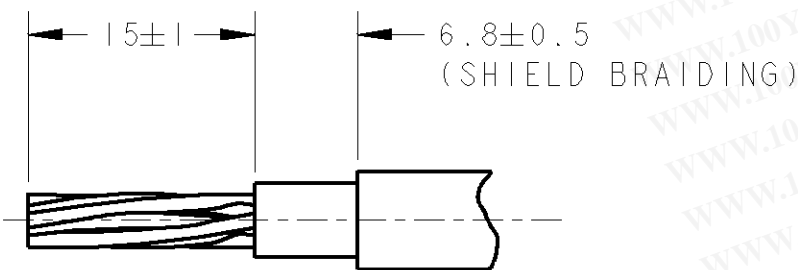
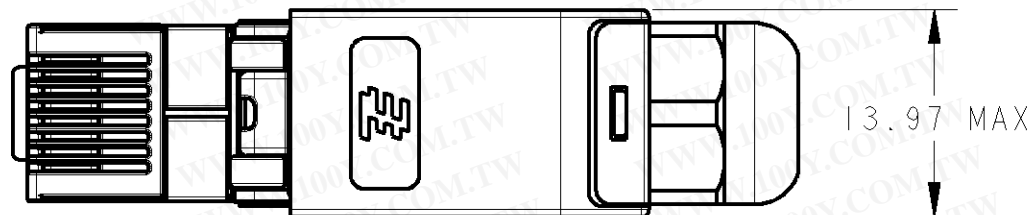
THIS DRAWING IS UNPUBLISHED. RELEASED FOR PUBLICATION 20

© COPYRIGHT 20 BY TYCO ELECTRONICS CORPORATION. ALL RIGHTS RESERVED.

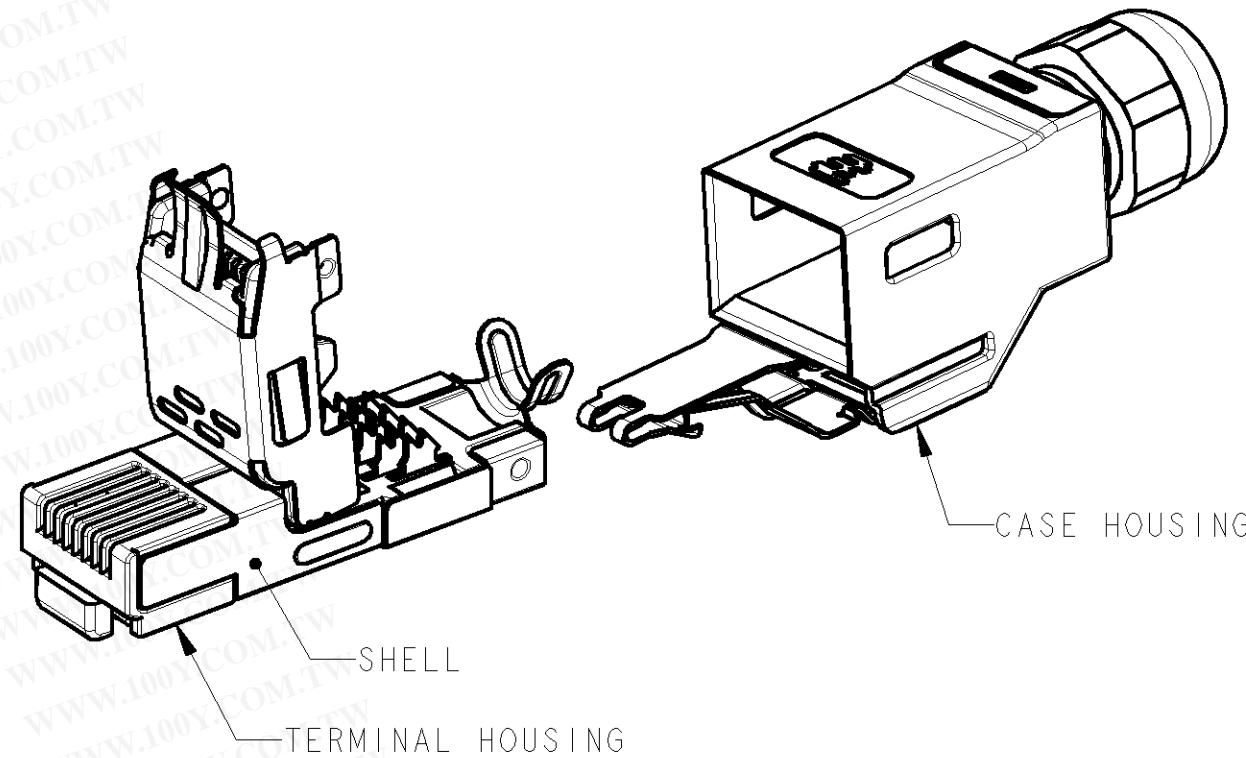
LOC	DIST	REVISIONS					
J	-	P	LTR	DESCRIPTION	DATE	DWN	APVD
		A		RELEASED	18AUG2006	J.A	D.M
		B		REVISED	20APR2009	T.S	A.O



CONTACT 8  
CONTACT 1



RECOMMENDED STRIPPING LENGTH



- 1. MATERIAL : CASE HOUSING-POLYCARBONATE, TERMINAL HOUSING-NYLON, CONTACT-COPPER ALLOY, SHELL-COPPER ALLOY.
- 2. FINISH : CONTACT-UNDERPLATE: Ni CONTACT AREA: Au SHELL: Ni

COLOR ALLOCATION OF TERMINAL WIRE TO RJ45 CONTACT

CONTACT NO.	WIRE COLOR	
	568A	568B
1	WHITE/GREEN	WHITE/ORANGE
2	GREEN	ORANGE
3	WHITE/ORANGE	WHITE/GREEN
4	BLUE	BLUE
5	WHITE/BLUE	WHITE/BLUE
6	ORANGE	GREEN
7	WHITE/BROWN	WHITE/BROWN
8	BROWN	BROWN

勝特力材料 886-3-5753170  
 勝特力电子(上海) 86-21-34970699  
 勝特力电子(深圳) 86-755-83298787  
[Http://www.100y.com.tw](http://www.100y.com.tw)

THIS DRAWING IS A CONTROLLED DOCUMENT FOR TYCO ELECTRONICS CORPORATION. IT IS SUBJECT TO CHANGE AND THE CONTROLLING ENGINEERING ORGANIZATION SHOULD BE CONTACTED FOR THE LATEST REVISION.

DIMENSIONS: 單位: ㎜ mm		TOLERANCES UNLESS OTHERWISE SPECIFIED: 一般公差 ±0.3 0 PLC ± 1 PLC ± 2 PLC ± 3 PLC ± 4 PLC ± ANGLES ±3	
MATERIAL 材料		FINISH 仕上	

DWN	29NOV2005
CHK	J. AKASAKA
APVD	D. MITSUGI
PRODUCT SPEC	D. MITSUGI
108-78381	
APPLICATION SPEC	
114-5402	
WEIGHT	-
CUSTOMER DRAWING	

WIRE RANGE 組合電線断面積		INSULATION DIA 被覆外径	
-		φ6.5	
Tyco Electronics		Tyco Electronics AMP K.K. Kawasaki, Japan	
NAME 名称			
RJ 45 CONNECTOR INDUSTRIAL ETHERNET IP20 8POS 180DEG STRD WIRE			
SIZE	CAGE CODE	DRAWING NO 番号	RESTRICTED TO
A3	-	C-1903527	-
SCALE 尺度		SHEET OF REV	
-		B	