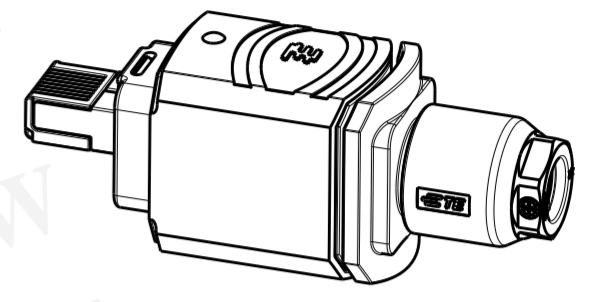
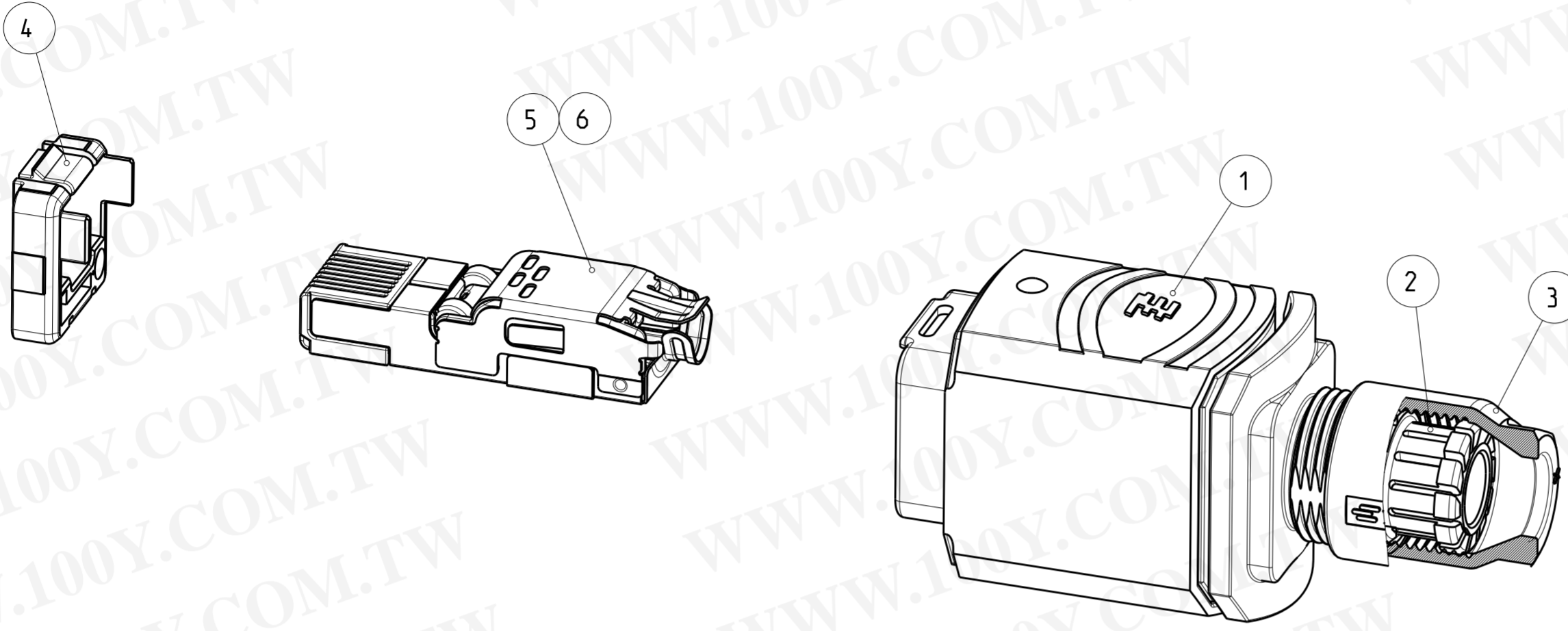


REVISIONS				
P	LTR	DESCRIPTION	DATE	APVD
C		RETENTION CLIP MODIFICATION THAT IMPLEMENTED IN PREVIOUS REVISION IS CANCELLED	29DEC2014	TJ PS



SCALE 1:1 / M 1:1

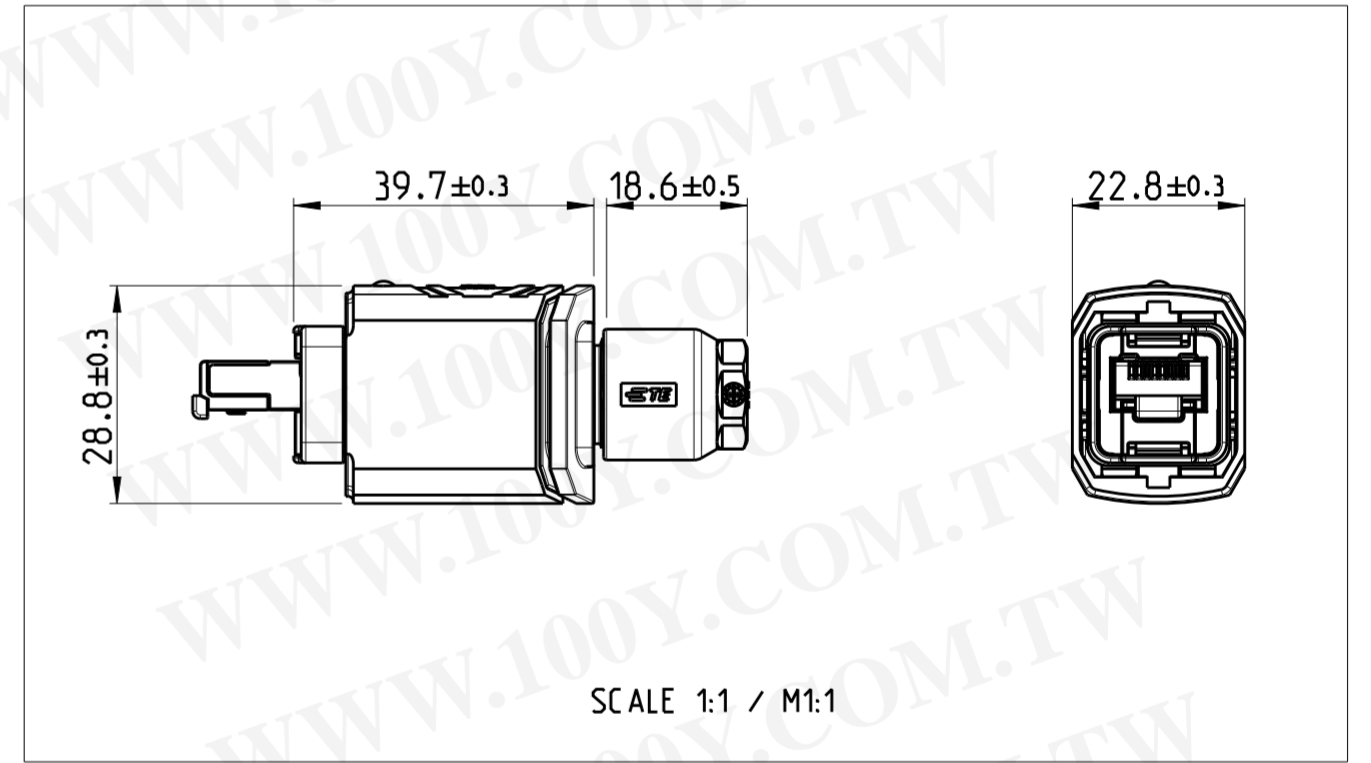
勝特力材料 886-3-5753170
 勝特力电子(上海) 86-21-34970699
 勝特力电子(深圳) 86-755-83298787
[Http://www.100y.com.tw](http://www.100y.com.tw)

-1 AS SHOWN

 -1 WIE GEZEICHNET

SINGLE PACKING: PLASTIC BAG (MINI GRIP) WITH MANUAL.
 MULTI PACKING: 50 PIECES ITEM NO. 1, NO.2 AND NO.3 IN CORD TENSIONING BAG +
 50 PIECES ITEM NO. 4 IN PLASTIC BAG (MINI GRIP) +
 50 PIECES ITEM NO. 5 OR NO. 6 IN FOLDING BOX +
 PACKED IN CORRUGATED SHIPPING BOX WITH MANUAL.

EINZELVERPACKUNG: KUNSTOFFBEUTEL (MINI GRIP) MIT ANLEITUNG.
 MEHRFACHVERPACKUNG: 50 STUECK POS. 1, POS. 2 UND POS. 3 IN KORDELZUG BEUTEL +
 50 STUECK POS. 4 IN KUNSTSTOFFBEUTEL (MINI GRIP) +
 50 STUECK POS. 5 ODER POS.6 IN FALTSCHACHTEL +
 VERPACKT IN VERSANDKARTON MIT ANLEITUNG.



SCALE 1:1 / M1:1

QTY REQD	PER ASSY	DESCRIPTION	ITEM NO		
1	1	1	1	MANUAL	7
50	-	1	-	CORE 8P ASSY	6
-	50	-	1	CORE 4P ASSY	5
50	50	1	1	RETENTION CLIP, RJ45, PUSH-PULL	4
50	50	1	1	CABLE SCREW JOINT	3
50	50	1	1	PINCH RING SEAL, ASSY	2
50	50	1	1	RJ45 PLUG, PUSH-PULL, SUB-ASSY	1
-4	-3	-2	-1		

THIS DRAWING IS A CONTROLLED DOCUMENT.		DWN N. THIRUNAVUKKARASU 23MAR2007	TE Connectivity	
DIMENSIONS: mm	TOLERANCES UNLESS OTHERWISE SPECIFIED:	CHK W. BOECK 23MAR2007	NAME RJ45 PLUG, PUSH-PULL, ASSY RJ45 STECKER, PUSH-PULL, ASSY CAT5, SHIELDED	
	0 PLC ± 1 PLC ± 2 PLC ± 3 PLC ± 4 PLC ± ANGLES ± FINISH	APVD R. KRAEMER 23MAR2007	PRODUCT SPEC 108-94207-1/-2	SIZE A2
MATERIAL -	PBT / PC / TPE	APPLICATION SPEC -	WEIGHT -	CAGE CODE 00779
		CUSTOMER DRAWING	SCALE 2:1	DRAWING NO C-1987004
			SHEET 1 OF 1	RESTRICTED TO -
			REV C	