



Introducing IP20 Field Installation RJ-45 Modular Plug - Angled 45°

Based on the Industrial Ethernet Field Installation RJ-45 Modular Plug, this new version is equipped with a flexible 45° cable outlet and features (e.g. a robust termination technology) that allows a timesaving field installation without any special tool. The new industrial ethernet modular plug is used typically in compact cabinet applications in the automation industry.

Utilizing our existing "common core" design, this product can be applied in the field without the use of tooling. Designed for use in Industrial environments, the connector features a rugged metal locking tab. The optional supporting frame allows a secondary locking mechanism, resulting in a secure interconnection.

勝特力材料 886-3-5753170
勝特力电子(上海) 86-21-34970699
勝特力电子(深圳) 86-755-83298787
[Http://www.100y.com.tw](http://www.100y.com.tw)

 **Tyco Electronics**
Our commitment. Your advantage.



APPLICATIONS

- Compact cabinet applications
- Industrial communication
- Renewable energy
- Industrial environments
- DataNet
- Wind turbines
- Automation

勝特力材料 886-3-5753170
 勝特力电子(上海) 86-21-34970699
 勝特力电子(深圳) 86-755-83298787
[Http://www.100y.com.tw](http://www.100y.com.tw)

MECHANICAL

- Metallic locking tab for locking
- Polarized for proper mating
- Temperature range : -40°C to +70°C [-40°F to +158°F]
- 45° cable outlet can be mounted in 4 orientations

ELECTRICAL

- Meets TIA/EIA 568 category 5e requirements
- Compliant to IEC60603-7-1
- Rated voltage : 24V DC
- Rated current : 500mA per pin
- Durability : 750 cycles

MATERIALS

- Housing : UL approved
- Pass through modular jack : UL approved
- UV resistant housing material

SPECIFICATIONS

- Product spec #108-78381
- Instruction sheet #1987235-1
- Application specification for industrial ethernet IP20 frame : #114-18961

APPLICATION TOOLING

- 1981944-1** : Cable stripper
- 603996-3** : Required blade insert (yellow)

KEY FEATURES

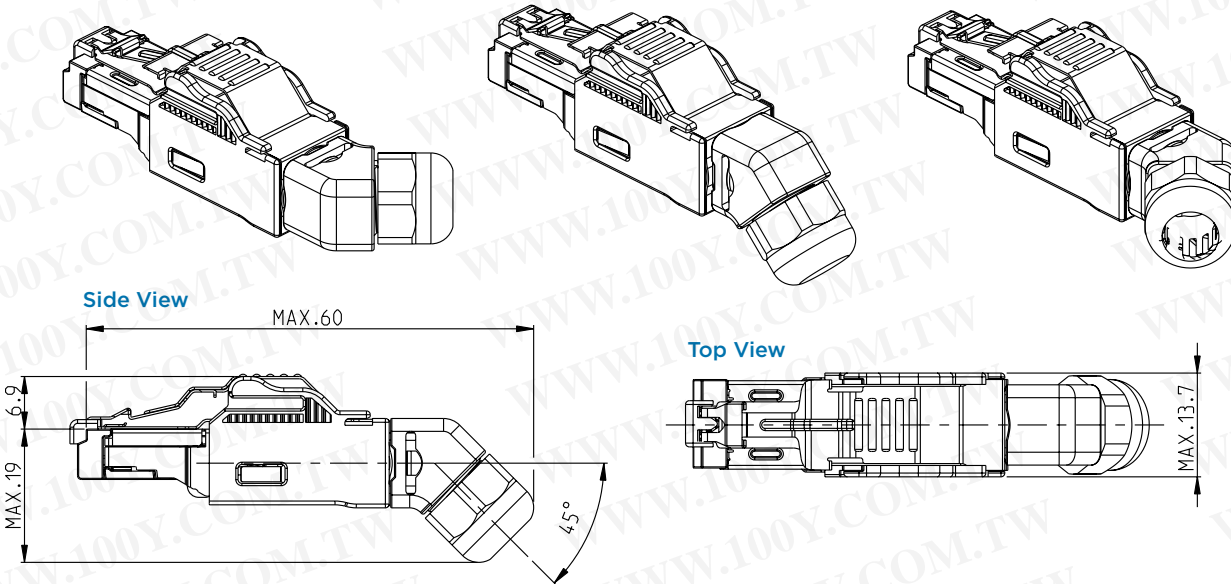
- 45° cable outlet, variable in orientation
- Strain relief
- Tool-less robust termination technology
- Suitable for fast ethernet (4 pos.) and gigabit ethernet (8 pos.)
- For use with 4 wire AWG 22 and 8 wire AWG 26 cables
- Rugged metal locking tab
- Secondary supporting frame locking feature
- Jack side is realized with wire terminated jacks, couplers or PCB jacks
- Provides reliable connections in harsh environments
- Solid or stranded wires can be terminated
- IP20 sealing performance

PRODUCT OFFERING

Part Number	Description
1987236-1	4 position plug kit
1987236-2	4 position plug kit (bulk package)
1987236-3	8 position plug kit
1987236-4	8 position plug kit (bulk package)
1987306-1	supporting frame kit
1987671-1	supporting frame kit with AMP-TWIST 6S SL jack
1987672-1	supporting frame kit with SL- Series 110Connect jack
1939707-1	4 wire AWG 22 solid cable
1981897-1	4 wire AWG 22 stranded cable
1939708-1	8 wire AWG 26 stranded cable

PRODUCT DIMENSIONS

Cable orientation outleted options



Supporting frame and jack options

