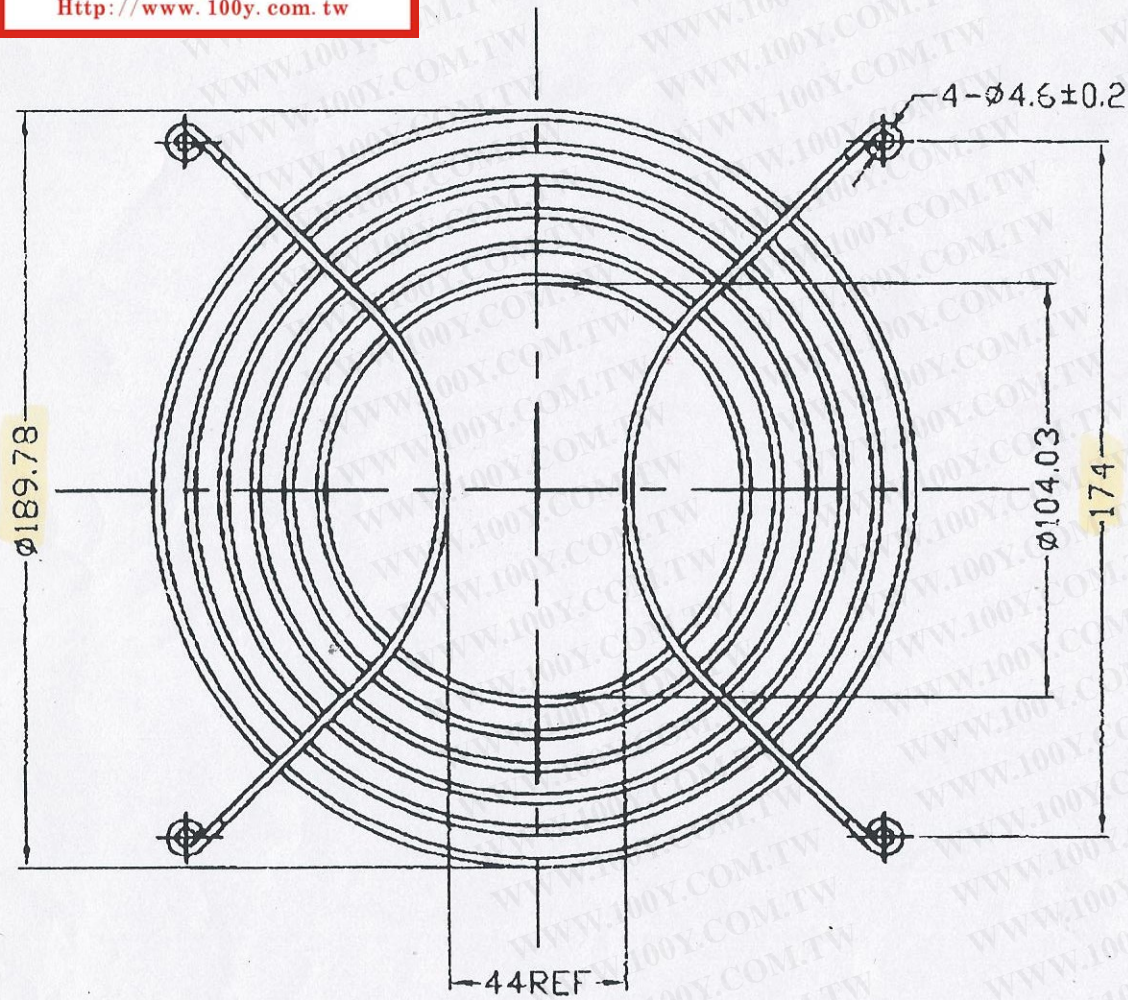


勝特力材料 886-3-5753170
 勝特力电子(上海) 86-21-34970699
 勝特力电子(深圳) 86-755-83298787
 Http://www.100y.com.tw

EDITION	DATE	REVISION RECORD	REVISION NO.	APPROVED



NOTES(注):

1. MATERIAL: C1006 BRIGHT BASIC WIRE.
 (1. 材質: C1006 光澤金屬線)
2. FINISH: BRIGHT NICKEL CHROME.
 (2. 處理: 表面光澤鎳鉻電鍍)
3. (1) RINGS(環圈) ARE $\phi 2.3$ mm.
 (2) RIBS(支架) ARE $\phi 2.3$ mm.
4. WELD JOINTS TO WITHSTAND 88 LBS PULL FORCE.
 (4. 焊接處能承受88磅拉力試驗)
5. SPACING BETWEEN RINGS TO BE EQUIDISTANT 5.82mm.
 (5. 各環圈等間距為5.82mm)
6. GENERAL TOLERANCE UNLESS NOTED: ± 0.76 mm.
 (6. 未標注公差為: ± 0.76 mm)
7. PART MEETS $\phi 6.35$ mm PLUG GAUGE TEST.
 (7. 部分地方作 $\phi 6.35$ mm塞規試驗)
8. UNIT(單位): mm.

