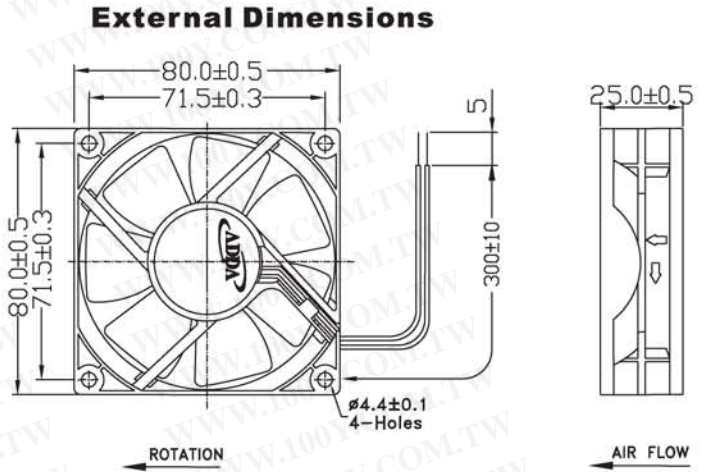


# AD8025 SERIES

勝特力材料 886-3-5753170  
 勝特力电子(上海) 86-21-34970699  
 勝特力电子(深圳) 86-755-83298787  
 Http://www.100y.com.tw



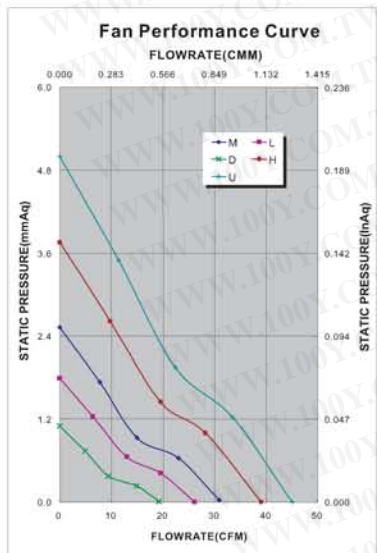
Frame: Plastic(UL:94V-0)  
 Impeller: Plastic(UL:94V-0)  
 Bearing: Ball, Sleeve, 1B1S, Hypro bearing  
 Lead wire: UL1007AWG24  
 VOLTAGE AVAILABLE: 12V,24V

## Specifications(Nominal)

\*Noise is measured at the distance of one (1) meter from the axis of intake  
 Bearing type: =Ball =Sleeve =1B1S =Hypro bearing

Frame size (mm)	Model No.	Bearing System Type	Rated Voltage (VDC)	Current (A)	Power (W)	Rated Speed (rpm)	Maximum AirFlow (CMM)	Maximum AirFlow (CFM)	Maximum Pressure (InAq)	Maximum Pressure (mmAq)	*Noise Level (dB/A)	Weight (g)
80x80x25	AD0812DB-A70GL		12	0.04	0.48	1600	0.580	20.50	0.050	1.27	15.0	86.0
	AD0812LB-A70GL		12	0.08	0.96	2100	0.781	27.60	0.078	1.98	22.5	
	AD0812MB-A70GL		12	0.12	1.44	2500	0.931	32.90	0.114	2.89	28.3	
	AD0812HB-A70GL		12	0.24	2.88	3100	1.120	39.60	0.160	4.06	34.4	
	AD0812UB-A70GL		12	0.26	3.12	3400	1.239	43.80	0.190	4.82	40.0	
	AD0824LB-A70GL		24	0.04	0.96	2100	0.781	27.60	0.078	1.98	22.5	
	AD0824MB-A70GL		24	0.07	1.68	2500	0.931	32.90	0.114	2.89	28.3	
	AD0824HB-A70GL		24	0.10	2.40	3000	1.092	38.60	0.160	4.06	34.4	

Specifications subject to change without notice.



\*Motor protective circuit and third lead wire functions

0	1	2	3	4	6	7	8	9	A	B
✓					✓					

\*Safety approvals

✓	✓		✓	✓