

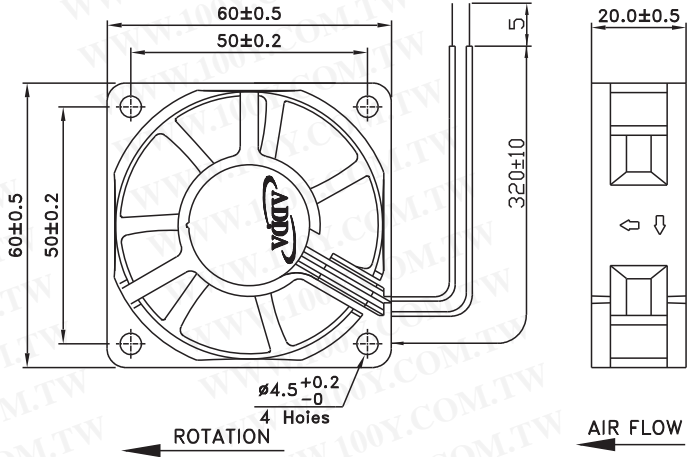


AD6020 SERIES

勝特力材料 886-3-5753170
 勝特力电子(上海) 86-21-34970699
 勝特力电子(深圳) 86-755-83298787
[Http://www.100y.com.tw](http://www.100y.com.tw)



External Dimensions



Frame:Plastic(UL:94V-0)
 Impeller:Plastic(UL:94V-0)
 Lead wire:UL1007AWG26

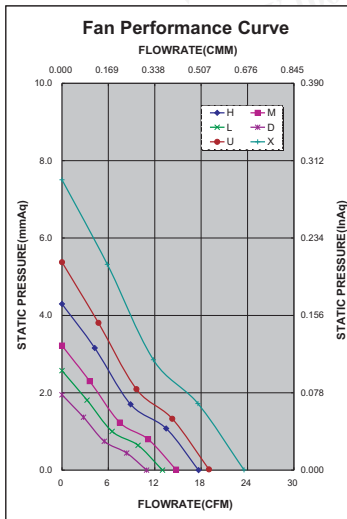
Specifications(Nominal)

*:Noise is measured at the distance of one (1) meter from the axis of intake.

Bearing type: ◎=Ball ※=Sleeve ○=1B1S ●=Hypro bearing

Frame size (mm)	Model No.	Bearing System Type	Rated Voltage (VDC)	Current (A)	Power (W)	Rated Speed (rpm)	Maximum AirFlow (CMM)	Maximum AirFlow (CFM)	Maximum Pressure (InAq)	Maximum Pressure (mmAq)	*Noise Level (dB/A)	Weight (g)
60x60x20	AD0605DX-C71GL	◎ ※ ●	5	0.07	0.35	3000	0.309	10.935	0.076	1.930	21.1	58.0
	AD0605LX-C71GL	◎ ※ ●	5	0.12	0.60	3500	0.367	12.995	0.101	2.565	21.6	
	AD0605MX-C71GL	◎ ※ ●	5	0.16	0.80	3900	0.417	14.754	0.126	3.200	25.7	
	AD0605HX-C71GL	◎ ※ ●	5	0.18	0.90	4500	0.499	17.664	0.169	4.292	29.7	
	AD0612DX-C71GL	◎ ※ ●	12	0.05	0.60	3000	0.309	10.935	0.076	1.930	21.1	
	AD0612LX-C71GL	◎ ※ ●	12	0.06	0.72	3500	0.367	12.995	0.101	2.565	21.6	
	AD0612MX-C71GL	◎ ※ ●	12	0.08	0.96	3900	0.417	14.754	0.126	3.200	25.7	
	AD0612HX-C71GL	◎ ※ ●	12	0.12	1.44	4500	0.499	17.664	0.169	4.292	29.7	
	AD0612UX-C71GL	◎ ※ ●	12	0.13	1.56	5100	0.538	19.014	0.211	5.359	34.6	
	AD0612XB-C71GL	◎ ※ ●	12	0.20	2.40	6100	0.667	23.580	0.296	7.518	41.0	
	AD0624MX-C71GL	◎ ※ ●	24	0.04	0.96	3900	0.417	14.754	0.126	3.200	25.7	
	AD0624HX-C71GL	◎ ※ ●	24	0.06	1.44	4500	0.499	17.664	0.169	4.292	29.7	

Specifications subject to change without notice.



*Motor protective circuit and third lead wire functions

0	1	2	3	4	6	7	8	9	A	B
✓	✓	✓	✓		✓					

*Safety approvals

			✓	✓