

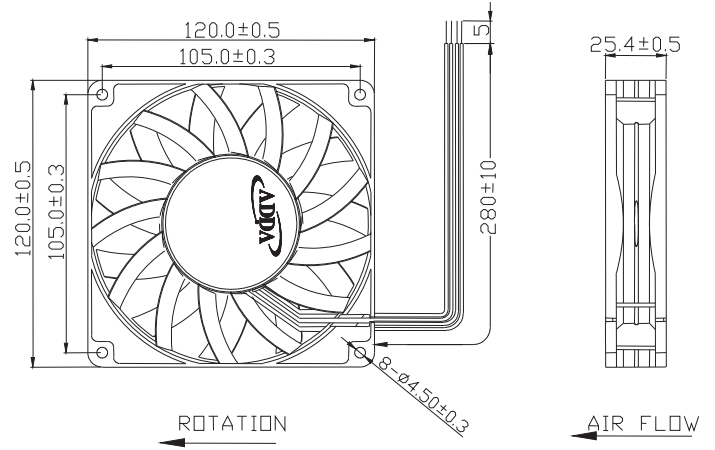


# AS12025 SERIES

勝特力電材超市-龍山店 886-3-5773766  
 勝特力電材超市-光復店 886-3-5729570  
 勝特力電子(上海) 86-21-34970699  
 勝特力電子(深圳) 86-755-83298787  
<http://www.100y.com.tw>



## External Dimensions



Frame:Plastic(UL:94V-0)  
 Impeller:Plastic(UL:94V-0)  
 Bearing:Ball bearing  
 Lead wire:UL1007AWG24  
 VOLTAGE AVAILABLE:12V,24V,48V

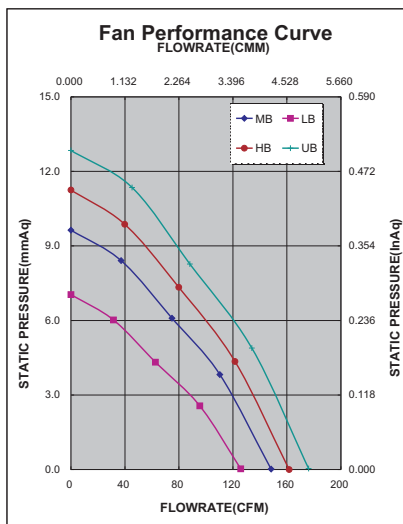
## Specifications(Nominal)

\*:Noise is measured at the distance of one (1) meter from the axis of intake.

Bearing type: ◎=Ball ※=Sleeve ○=1B1S ●=Hypro bearing

Frame size (mm)	Model No.	Bearing System Type	Rated Voltage (VDC)	Current (A)	Power (W)	Rated Speed (rpm)	Maximum AirFlow (CMM)	Maximum AirFlow (CFM)	Maximum Pressure (InAq)	Maximum Pressure (mmAq)	*Noise Level (dB/A)	Weight (g)
120x120x25	AS12012LB25A100	◎	12	0.66	7.92	2900	3.560	125.80	0.277	7.04	51.0	220.0
	AS12012MB25A100	◎	12	0.84	10.08	3400	4.197	148.30	0.379	9.63	54.7	
	AS12012HB25A100	◎	12	1.06	12.72	3700	4.576	161.70	0.443	11.25	57.8	
	AS12012UB25A100	◎	12	1.42	17.04	4000	4.975	175.80	0.500	12.70	58.6	
	AS12024LB25A100	◎	24	0.28	6.72	2900	3.560	125.80	0.277	7.04	51.0	
	AS12024MB25A100	◎	24	0.43	10.32	3400	4.197	148.30	0.379	9.63	54.7	
	AS12024HB25A100	◎	24	0.55	13.20	3700	4.576	161.70	0.443	11.25	57.8	
	AS12024UB25A100	◎	24	0.71	17.04	4000	4.975	175.80	0.500	12.70	58.6	
	AS12048LB25A100	◎	48	0.17	8.16	2900	3.560	125.80	0.277	7.04	51.0	
	AS12048MB25A100	◎	48	0.23	11.04	3400	4.197	148.30	0.379	9.63	54.7	
AS12048HB25A100	◎	48	0.30	14.40	3700	4.576	161.70	0.443	11.25	57.8		
AS12048UB25A100	◎	48	0.37	17.76	4000	4.975	175.80	0.500	12.70	58.6		

Specifications subject to change without notice.



\*Motor protective circuit and third lead wire functions

0	1	2	3	4	6	7	8	9	A	B
	✓		✓					✓		✓

\*Safety approvals

✓	✓		✓	✓