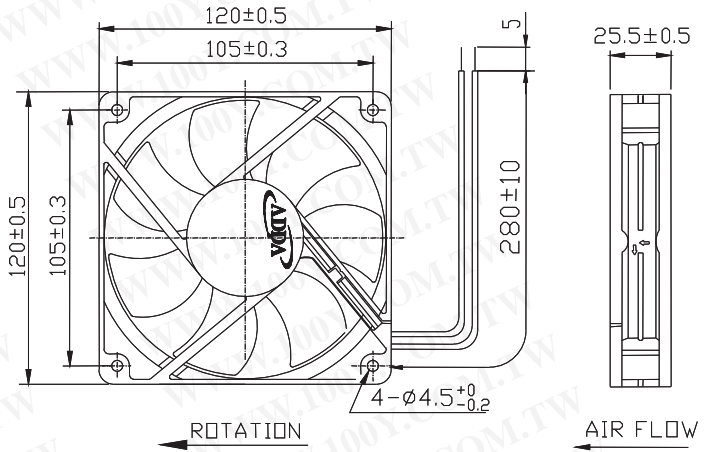


AD12025 SERIES



External Dimensions



Frame: Plastic(UL:94V-0)
 Impeller: Plastic(UL:94V-0)
 Lead wire: UL1007AWG24

Specifications(Nominal)

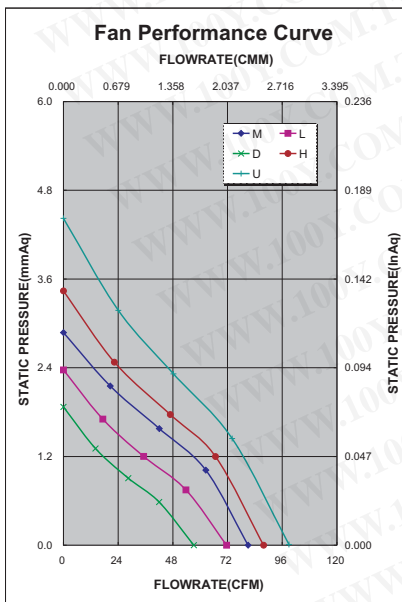
*Noise is measured at the distance of one (1) meter from the axis of intake.

Bearing type: ◎=Ball ※=Sleeve ○=1B1S ●=Hypro bearing

Frame size (mm)	Model No.	Bearing System Type	Rated Voltage (VDC)	Current (A)	Power (W)	Rated Speed (rpm)	Maximum AirFlow (CMM)	Maximum AirFlow (CFM)	Maximum Pressure (InAq)	Maximum Pressure (mmAq)	*Noise Level (dB/A)	Weight (g)
120x120x25	AD1212DB-A71GL	◎ ※ ●	12	0.11	1.32	1500	1.618	57.205	0.074	1.879	27.2	156.0
	AD1212LB-A71GL	◎ ※ ●	12	0.15	1.80	1800	2.032	71.806	0.093	2.362	34.4	
	AD1212MB-A71GL	◎ ※ ●	12	0.16	1.92	2050	2.293	81.054	0.113	2.870	38.0	
	AD1212HB-A71GL	◎ ※ ●	12	0.29	3.48	2200	2.486	87.870	0.134	3.403	39.1	
	AD1212UB-A71GL	◎ ※ ●	12	0.39	4.68	2500	2.800	98.965	0.174	4.419	43.3	
	AD1224DB-A71GL	◎ ※ ●	24	0.07	1.68	1500	1.618	57.205	0.074	1.879	27.2	
	AD1224LB-A71GL	◎ ※ ●	24	0.10	2.40	1800	2.032	71.806	0.093	2.362	34.4	
	AD1224MB-A71GL	◎ ※ ●	24	0.13	3.12	2050	2.293	81.054	0.113	2.870	38.0	
	AD1224HB-A71GL	◎ ※ ●	24	0.13	3.12	2200	2.486	87.870	0.134	3.403	39.1	
	AD1224UB-A71GL	◎ ※ ●	24	0.19	4.56	2500	2.800	98.965	0.174	4.419	43.3	
	AD1248HB-A71GL	◎ ※ ●	48	0.10	4.80	2200	2.486	87.870	0.134	3.403	39.1	
	AD1248UB-A71GL	◎ ※ ●	48	0.12	5.76	2500	2.800	98.965	0.174	4.419	43.3	

Specifications subject to change without notice.

The specification for bearing type is for reference only, for more bearing types information, please contact with your ADDA sales representative, thanks!!
 (網頁上呈現產品軸承資訊均以2Ball為主, 若需其他產品資訊請聯絡您在ADDA的業務代表, 謝謝!!)



*Motor protective circuit and third lead wire functions

0	1	2	3	4	6	7	8	9	A	B
✓	✓	✓	✓	✓	✓		✓	✓		✓

*Safety approvals

✓	✓		✓	✓

**ADDA USA
DC FAN SPECIFICATIONS**

Frame Dimensions (mm)	Model Part Number	Bearing Type	Volts (V)	Current (A)	Power (W)	Speed (RPM)	Air Flow (CFM)	Pressure (Inches)	Noise (dB/A)	Weight (g)	Features Available	Safety Approvals	Units Per Box	Box Wt. (lbs.)
92 X 92 X 20	AD0912MX-C70	HYPRO	12	0.16	1.92	2430	29.0	0.083	28.9	85	0	TUV,CSA,CE	200	41.30
92 X 92 X 20	AD0912HX-C70	HYPRO	12	0.25	3.00	2740	32.8	0.106	32.8	85	0	UL,TUV,CSA,CE	200	41.30
92 X 92 X 20	AD0912HX-C7	HYPRO	12	0.25	3.00	2740	32.8	0.106	32.8	85	6	CE	200	41.30
92 X 92 X 20	AD0912MB-C70	BALL	12	0.16	1.92	2430	29.0	0.083	28.9	85	0	UL,CUL,TUV,CSA,CE	200	41.30
92 X 92 X 20	AD0912MB-C71	BALL	12	0.16	1.92	2430	29.0	0.083	28.9	85	1	UL,TUV,CSA,CE	200	41.30
92 X 92 X 20	AD0912MB-C72	BALL	12	0.16	1.92	2430	29.0	0.083	28.9	85	2	TUV,CE	200	41.30
92 X 92 X 20	AD0912MB-C76	BALL	12	0.16	1.92	2430	29.0	0.083	28.9	85	6	CE	200	41.30
92 X 92 X 20	AD0912HB-C70	BALL	12	0.25	3.00	2740	32.8	0.106	32.8	85	0,6	UL,CUL,TUV,CSA,CE	200	41.30
92 X 92 X 20	AD0912HB-C71	BALL	12	0.25	3.00	2740	32.8	0.106	32.8	85	1	UL,TUV,CSA,CE	200	41.30
92 X 92 X 20	AD0912HB-C72	BALL	12	0.25	3.00	2740	32.8	0.106	32.8	85	2,3	TUV,CE	200	41.30
92 X 92 X 20	AD0912MS-C70	S	12	0.16	1.92	2430	29.0	0.083	28.9	85	0	UL,CUL,TUV,CSA,CE	200	41.30
92 X 92 X 20	AD0912MS-C71	S	12	0.16	1.92	2430	29.0	0.083	28.9	85	1	UL,TUV,CSA,CE	200	41.30
92 X 92 X 20	AD0912HS-C70	S	12	0.25	3.00	2740	32.8	0.106	32.8	85	0	UL,CUL,TUV,CSA,CE	200	41.30
92 X 92 X 20	AD0912HS-C71	S	12	0.25	3.00	2740	32.8	0.106	32.8	85	1	UL,TUV,CSA,CE	200	41.30
92 X 92 X 20	AD0912HS-C76	S	12	0.25	3.00	2740	32.8	0.106	32.8	85	6	CE	200	41.30
92 X 92 X 20	AD0924MX-C70	HYPRO	24	0.10	2.40	2430	29.0	2.110	28.9	78	0,1,2,3	UL,CUL,TUV,CSA,CE	200	41.30
92 X 92 X 20	AD0924HX-C70	HYPRO	24	0.14	3.36	2740	32.8	0.106	32.8	85	0	TUV,CSA,CE	200	41.30
92 X 92 X 20	AD0924MB-C70	BALL	24	0.10	2.40	2430	29.0	0.083	28.9	85	0	UL,CUL,TUV,CSA,CE	200	41.30
92 X 92 X 20	AD0924MB-C71	BALL	24	0.10	2.40	2430	29.0	0.083	28.9	85	1	UL,TUV,CSA,CE	200	41.30
92 X 92 X 20	AD0924HB-C70	BALL	24	0.14	3.36	2740	32.8	0.106	32.8	85	0	UL,CUL,TUV,CSA,CE	200	41.30
92 X 92 X 20	AD0924HB-C71	BALL	24	0.14	3.36	2740	32.8	0.106	32.8	85	1	UL,TUV,CSA,CE	200	41.30
92 X 92 X 20	AD0924HB-C73	BALL	24	0.14	3.36	2740	32.8	0.106	32.8	85	3	UL,CSA,CE	200	41.30
92 X 92 X 20	AD0924MS-C70	S	24	0.10	2.40	2430	29.0	0.083	28.9	85	0	UL,CUL,TUV,CSA,CE	200	41.30
92 X 92 X 20	AD0924MS-C71	S	24	0.10	2.40	2430	29.0	0.083	28.9	85	1	UL,TUV,CSA,CE	200	41.30
92 X 92 X 20	AD0924HS-C70	S	24	0.14	3.36	2740	32.8	0.106	32.8	85	0	UL,CUL,TUV,CSA,CE	200	41.30
92 X 92 X 20	AD0924HS-C71	S	24	0.14	3.36	2740	32.8	0.106	32.8	85	1	UL,TUV,CSA,CE	200	41.30
92 X 92 X 25	AD0912DX-A70GL	HYPRO	12	0.09	1.08	1600	28.0	0.060	22.0	101	0	UL,CUL,TUV,CE	200	52.36
92 X 92 X 25	AD0912DX-A71GL	HYPRO	12	0.07	0.84	1600	28.0	0.060	22.0	101	1	CE	200	52.36
92 X 92 X 25	AD0912LX-A70GL	HYPRO	12	0.12	1.44	2100	37.9	0.073	26.5	101	0	UL,CUL,TUV,CE	200	52.36
92 X 92 X 25	AD0912LX-A72GL	HYPRO	12	0.13	1.56	2200	35.9	0.097	29.3	101	2	UL,CUL,TUV,CE	200	52.36
92 X 92 X 25	AD0912LX-A76GL	HYPRO	12	0.13	1.56	2000	32.4	0.054	23.5	101	6	UL,CUL,CE	200	52.36
92 X 92 X 25	AD0912MX-A70GL	HYPRO	12	0.17	2.04	2400	43.5	0.094	31.3	101	0,2,3	UL,CUL,TUV,CE	200	52.36
92 X 92 X 25	AD0912HX-A70GL	HYPRO	12	0.25	3.00	2700	50.0	0.117	33.7	101	0,2,3	UL,CUL,TUV,CE	200	52.36
92 X 92 X 25	AD0912HX-A76GL	HYPRO	12	0.25	3.00	2700	50.0	0.117	33.7	101	6	UL,CUL,CE	200	52.36
92 X 92 X 25	AD0912UX-A71GL	HYPRO	12	0.39	4.68	3200	57.8	0.158	38.6	101	1,2	UL,CUL,TUV,CE	200	52.36
92 X 92 X 25	AD0912UX-A76GL	HYPRO	12	0.30	3.60	3300	60.0	0.166	39.4	101	6	UL,CUL,TUV,CE	200	52.36
92 X 92 X 25	AD0912DB-A71GL	BALL	12	0.07	0.84	1600	28.0	0.060	22.0	101	1	CE	200	52.36
92 X 92 X 25	AD0912LB-A70GL	BALL	12	0.13	1.56	2050	36.0	0.063	25.0	101	0	UL,CUL,TUV,CE	200	52.36
92 X 92 X 25	AD0912LB-A702GL	BALL	12	0.12	1.44	2300	41.6	0.087	29.8	101	2,3	UL,CUL,TUV,CE	200	52.36
92 X 92 X 25	AD0912LB-A76GL	BALL	12	0.12	1.44	2300	41.6	0.087	29.8	101	6	UL,CUL,CE	200	52.36
92 X 92 X 25	AD0912MB-A70GL	BALL	12	0.17	2.04	2600	47.2	0.108	32.7	101	0,1,2,3	UL,CUL,TUV,CE	200	52.36
92 X 92 X 25	AD0912MB-A76GL	BALL	12	0.17	2.04	2600	47.2	0.108	32.7	101	6	UL,CUL,CE	200	52.36
92 X 92 X 25	AD0912HB-A70GL	BALL	12	0.25	3.00	2900	52.5	0.133	35.0	101	0,1,2,3	UL,CUL,TUV,CE	200	52.36
92 X 92 X 25	AD0912HB-A76GL	BALL	12	0.25	3.00	2900	52.5	0.133	35.0	101	6	UL,CUL,CE	200	52.36

NOTE B=Ball S=Sleeve X=Hypro AT= Terminals AW= Wires

ALL RIGHTS RESERVED

ADDA USA
DC FAN SPECIFICATIONS

Frame Dimensions (mm)	Model Part Number	Bearing Type	Volts (V)	Current (A)	Power (W)	Speed (RPM)	Air Flow (CFM)	Pressure (Inches)	Noise (dB/A)	Weight (g)	Features Available	Safety Approvals	Units Per Box	Box Wt. (lbs.)
92 X 92 X 25	AD0912UB-A71GL	BALL	12	0.39	4.68	3300	60.0	0.166	39.4	101	1,2,3	UL,CUL,TUV,CE	200	52.36
92 X 92 X 25	AD0912UB-A76GL	BALL	12	0.39	4.68	3300	60.0	0.166	39.4	101	6	UL,CUL,TUV,CE	200	52.36
92 X 92 X 25	AD0912XB-A71GL	BALL	12	0.55	6.60	3800	67.0	0.198	43.9	101	1	CE	200	52.36
92 X 92 X 25	AD0912DS-A70GL	S	12	0.09	1.08	1600	28.0	0.060	22.0	101	0	UL,CUL,TUV,CE	200	52.36
92 X 92 X 25	AD0912DS-A71GL	S	12	0.07	1.08	1600	28.0	0.060	22.0	101	1	CE	200	52.36
92 X 92 X 25	AD0912LS-A70GL	S	12	0.13	1.56	2000	32.4	0.054	23.5	101	0	UL,CUL,TUV,CE	200	52.36
92 X 92 X 25	AD0912LS-A73GL	S	12	0.13	1.56	2100	37.9	0.073	26.5	101	3	UL,CUL,TUV,CE	200	52.36
92 X 92 X 25	AD0912LS-A76GL	S	12	0.13	1.56	2000	32.4	0.054	23.5	101	6	UL,CUL,CE	200	52.36
92 X 92 X 25	AD0912MS-A70GL	S	12	0.17	2.04	2350	43.0	0.087	31.0	101	0,3	UL,CUL,TUV,CE	200	52.36
92 X 92 X 25	AD0912MS-A76GL	S	12	0.17	2.04	2350	43.0	0.870	31.0	101	6	UL,CUL,CE	200	52.36
92 X 92 X 25	AD0912HS-A70GL	S	12	0.25	3.00	2700	50.0	0.117	33.7	101	0,1,2,3	UL,CUL,TUV,CE	200	52.36
92 X 92 X 25	AD0912HS-A76GL	S	12	0.25	3.00	2700	50.0	0.117	33.7	101	6	UL,CUL,CE	200	52.36
92 X 92 X 25	AD0912US-A70GL	S	12	0.39	4.68	3200	57.8	0.156	39.4	101	0	UL,CUL,TUV,CE	200	52.36
92 X 92 X 25	AD0912US-A71GL	S	12	0.39	4.68	3300	60.0	0.198	39.1	101	1,2	UL,CUL,TUV,CE	200	52.36
92 X 92 X 25	AD0912US-A76GL	S	12	0.30	3.60	3300	60.0	0.166	39.4	101	6	UL,CUL,TUV,CE	200	52.36
92 X 92 X 25	AD0924LX-A70GL	HYPRO	24	0.08	1.92	2100	37.9	0.073	26.5	101	0	UL,CUL,TUV,CE	200	52.36
92 X 92 X 25	AD0924MX-A70GL	HYPRO	24	0.12	2.88	2400	43.5	0.094	31.3	101	0,2	UL,CUL,TUV,CE	200	52.36
92 X 92 X 25	AD0924MX-A71GL	HYPRO	24	0.17	2.04	2700	43.2	0.140	35.0	101	1	UL,CUL,TUV,CE	200	52.36
92 X 92 X 25	AD0924HX-A70GL	HYPRO	24	0.15	3.60	2700	50.0	0.115	33.7	101	0	UL,CUL,TUV,CE	200	52.36
92 X 92 X 25	AD0924UX-A71GL	HYPRO	24	0.21	5.04	3200	57.8	0.156	38.6	101	1,2	UL,CUL,TUV,CE	200	52.36
92 X 92 X 25	AD0924UX-A73GL	HYPRO	24	0.21	5.04	3200	57.8	0.156	38.6	101	3	CE	200	52.36
92 X 92 X 25	AD0924LB-A70GL	BALL	24	0.08	1.92	2100	37.9	0.074	26.5	101	0	UL,CUL,TUV,CE	200	52.36
92 X 92 X 25	AD0924LB-A72GL	BALL	24	0.08	1.92	2300	41.6	0.086	29.8	101	2	UL,CUL,TUV,CE	200	52.36
92 X 92 X 25	AD0924LB-A76GL	BALL	24	0.08	1.92	2300	41.6	0.086	29.8	101	6	CE	200	52.36
92 X 92 X 25	AD0924MB-A70GL	BALL	24	0.12	2.88	2600	47.2	0.106	32.7	101	0,2	UL,CUL,TUV,CE	200	52.36
92 X 92 X 25	AD0924HB-A70GL	BALL	24	0.15	3.60	2900	52.5	0.131	35.0	101	0,1,2,3	UL,CUL,TUV,CE	200	52.36
92 X 92 X 25	AD0924HB-A76GL	BALL	24	0.15	3.60	2900	52.5	0.131	35.0	101	6	CE	200	52.36
92 X 92 X 25	AD0924UB-A72GL	BALL	24	0.21	5.04	3300	60.0	0.166	39.4	101	2	UL,CUL,TUV,CE	200	52.36
92 X 92 X 25	AD0924XB-A71GL	BALL	24	0.25	6.00	3800	66.9	0.186	42.6	101	1,2	CE	200	25.36
92 X 92 X 25	AD0924LS-A70GL	S	24	0.08	1.92	2100	37.9	0.073	26.5	101	0,2	CE	200	52.36
92 X 92 X 25	AD0924MS-A70GL	S	24	0.12	2.88	2400	43.5	0.094	31.3	101	0,2	UL,CUL,TUV,CE	200	52.36
92 X 92 X 25	AD0924HS-A70GL	S	24	0.15	3.60	2700	48.0	0.115	33.7	101	0	UL,CUL,TUV,CE	200	52.36
92 X 92 X 25	AD0924HS-A72GL	S	24	0.20	4.80	3000	48.4	0.169	38.0	101	2	UL,CUL,CE	200	52.36
92 X 92 X 25	AD0924HS-A73GL	S	24	0.20	4.80	3000	48.4	0.169	38.0	101	3	UL,CUL,TUV,CE	200	52.36
92 X 92 X 25	AD0924US-A70GL	S	24	0.21	5.04	3300	60.0	0.166	39.4	101	0	UL,CUL,TUV,CE	200	52.36
92 X 92 X 25	AD0924US-A71GL	S	24	0.21	5.04	3200	57.8	0.158	38.6	101	1	UL,CE	200	52.36
92 X 92 X 25	AD0924US-A72GL	S	24	0.21	5.04	3200	57.8	0.158	38.6	101	2	UL,CUL,TUV,CE	200	52.36
92 X 92 X 25	AD0948HB-A71GL	BALL	48	0.13	6.24	2900	52.5	0.133	35.0	101	1	UL,CUL,TUV,CE	200	52.36
92 X 92 X 25	AD0948UB-A71GL	BALL	48	0.16	7.68	3300	60.0	0.163	39.4	101	1	CE	200	52.36
92 X 92 X 25	AD0948HS-A72GL	S	48	0.07	3.36	2900	52.0	0.177	34.0	101	2	CE	200	52.36
120 X 120 X 25	AD1212LX-A71GL	HYPRO	12	0.24	2.88	1800	72.0	0.095	34.4	156	1	UL,CUL,CE	90	30.80
120 X 120 X 25	AD1212LX-A72GL	HYPRO	12	0.24	2.88	1800	72.0	0.095	34.4	156	2	UL,CUL,TUV,CE	90	30.80
120 X 120 X 25	AD1212MX-A71GL	HYPRO	12	0.34	4.08	2050	80.5	0.117	38.0	156	1	UL,CUL,TUV,CE	90	30.80
120 X 120 X 25	AD1212MX-A73GL	HYPRO	12	0.34	4.08	2050	80.5	0.117	38.0	156	3	CE	90	30.80

NOTE B=Ball S=Sleeve X=Hypro AT= Terminals AW= Wires

ALL RIGHTS RESERVED

ADDA USA
DC FAN SPECIFICATIONS

Frame Dimensions (mm)	Model Part Number	Bearing Type	Volts (V)	Current (A)	Power (W)	Speed (RPM)	Air Flow (CFM)	Pressure (Inches)	Noise (dB/A)	Weight (g)	Features Available	Safety Approvals	Units Per Box	Box Wt. (lbs.)
120 X 120 X 25	AD1212HX-A71GL	HYPRO	12	0.44	5.28	2200	85.2	0.136	39.1	156	1	UL,CUL,TUV,CE	90	30.80
120 X 120 X 25	AD1212HX-A73GL	HYPRO	12	0.44	5.28	2200	85.2	0.136	39.1	156	3	CE	90	30.80
120 X 120 X 25	AD1212UX-A71GL	HYPRO	12	0.50	6.00	2500	98.6	0.179	43.3	156	1	CE	90	30.80
120 X 120 X 25	AD1212LB-A71GL	BALL	12	0.24	2.88	1800	72.0	0.095	34.4	156	1,2	UL,CUL,TUV,CE	90	30.80
120 X 120 X 25	AD1212LB-A73GL	BALL	12	0.24	2.88	1800	72.0	0.095	34.4	156	3	CE	90	30.80
120 X 120 X 25	AD1212MB-A71GL	BALL	12	0.33	3.96	2050	80.5	0.117	38.0	156	1	UL,CUL,TUV,CE	90	30.80
120 X 120 X 25	AD1212MB-A72GL	BALL	12	0.33	3.96	2050	80.5	0.117	38.0	156	2	UL,CUL,CE	90	30.80
120 X 120 X 25	AD1212MB-A73GL	BALL	12	0.33	3.96	2050	80.5	0.117	38.0	156	3	CE	90	30.80
120 X 120 X 25	AD1212HB-A71GL	BALL	12	0.37	4.44	2200	85.2	0.136	39.1	156	1	UL,CUL,TUV,CE	90	30.80
120 X 120 X 25	AD1212HB-A72GL	BALL	12	0.37	4.44	2200	85.2	0.136	39.1	156	2	UL,CUL,CE	90	30.80
120 X 120 X 25	AD1212HB-A73GL	BALL	12	0.37	4.44	2200	85.2	0.136	39.1	156	3	CE	90	30.80
120 X 120 X 25	AD1212UB-A71GL	BALL	12	0.50	6.00	2500	98.6	0.179	43.3	156	1	TUV,CE	90	30.80
120 X 120 X 25	AD1212UB-A72GL	BALL	12	0.50	6.00	2500	98.6	0.179	43.3	156	2,3	CE	90	30.80
120 X 120 X 25	AD1212LS-A71GL	S	12	0.24	2.88	1800	72.0	0.095	34.4	156	1,3	UL,CUL,TUV,CE	90	30.80
120 X 120 X 25	AD1212MS-A71GL	S	12	0.34	4.08	2050	80.5	0.117	38.0	156	1,3	UL,CUL,TUV,CE	90	30.80
120 X 120 X 25	AD1212MS-A72GL	S	12	0.34	4.08	2050	80.5	0.117	38.0	156	2	UL,CUL,CE	90	30.80
120 X 120 X 25	AD1212HS-A71GL	S	12	0.44	5.28	220	85.2	0.136	39.1	158	1	UL,CUL,TUV,CE	90	30.80
120 X 120 X 25	AD1212HS-A72GL	S	12	0.44	5.28	220	85.2	0.136	39.1	158	2	UL,CUL,CE	90	30.80
120 X 120 X 25	AD1212HS-A73GL	S	12	0.44	5.28	220	85.2	0.136	39.1	158	3	CE	90	30.80
120 X 120 X 25	AD1212HS-A74GL	S	12	0.40	4.80	2200	85.2	0.134	39.1	156	4	TUV,CE	90	30.80
120 X 120 X 25	AD1212US-A71GL	S	12	0.50	6.00	2500	98.6	0.179	43.3	156	1,2,3	CE	90	30.80
120 X 120 X 25	AD1224LX-A71GL	HYPRO	24	0.14	3.36	1800	72.0	0.095	34.4	156	1	UL,CUL,TUV,CE	90	30.80
120 X 120 X 25	AD1224MX-A71GL	HYPRO	24	0.20	4.80	2050	80.5	0.117	38.0	156	1	UL,CUL,TUV,CE	90	30.80
120 X 120 X 25	AD1224HX-A71GL	HYPRO	24	0.24	5.76	2200	85.2	0.136	39.1	156	1,2	UL,CUL,TUV,CE	90	30.80
120 X 120 X 25	AD1224HX-A73GL	HYPRO	24	0.24	5.76	2200	85.2	0.136	39.1	156	3	CE	90	30.80
120 X 120 X 25	AD1224UX-A72GL	HYPRO	24	0.25	6.00	2500	98.6	0.176	43.3	156	2	CE	90	30.80
120 X 120 X 25	AD1224LB-A71GL	BALL	24	0.14	3.36	1800	72.0	0.095	34.3	156	1,2	UL,CUL,TUV,CE	90	30.80
120 X 120 X 25	AD1224MB-A71GL	BALL	24	0.17	4.08	2050	80.5	0.117	38.0	156	1	UL,CUL,TUV,CE	90	30.80
120 X 120 X 25	AD1224HB-A71GL	BALL	24	0.19	4.56	2200	85.2	0.136	39.1	156	1,2,3	UL,CUL,TUV,CE	90	30.80
120 X 120 X 25	AD1224UB-A71GL	BALL	24	0.25	6.00	2500	98.6	0.176	43.3	156	1	TUV,CE	90	30.80
120 X 120 X 25	AD1224UB-A72GL	BALL	24	0.25	6.00	2500	98.6	0.176	43.3	156	2,3	CE	90	30.80
120 X 120 X 25	AD1224LS-A71GL	S	24	0.14	3.36	1800	72.0	0.095	34.4	156	1	UL,CUL,TUV,CE	90	30.80
120 X 120 X 25	AD1224MS-A71GL	S	24	0.20	4.80	2050	80.5	0.117	38.0	156	1	UL,CUL,TUV,CE	90	30.80
120 X 120 X 25	AD1224HS-A71GL	S	24	0.24	5.76	2200	85.2	0.136	39.1	156	1	UL,CUL,TUV,CE	90	30.80
120 X 120 X 25	AD1224HS-A73GL	S	24	0.24	5.76	2200	85.2	0.136	39.1	156	3	CE	90	30.80
120 X 120 X 25	AD1224US-A71GL	S	24	0.25	6.00	2500	98.6	0.176	43.3	156	1	CE	90	30.80
120 X 120 X 25	AD1248HB-A71GL	BALL	48	0.25	9.60	2200	85.2	0.136	39.1	156	1	CE	90	30.80
120 X 120 X 32	AD2512LX	HYPRO	12	0.15	1.80	1200	12.0	0.109	34.3	276	0	TUV,CE		
120 X 120 X 32	AD2512MX	HYPRO	12	0.60	7.20	2300	23.7	0.621	51.1	276	0	UL,CUL,CE		
120 X 120 X 32	AD2512LB	BALL	12	0.15	1.80	1200	12.0	0.109	34.3	276	0,3	TUV,CE		
120 X 120 X 32	AD2512MB	BALL	12	0.60	7.20	2300	23.7	0.621	51.1	276	0	UL,CUL,TUV,CE		
120 X 120 X 32	AD2512MB	BALL	12	0.60	7.20	2300	23.7	0.621	51.1	276	2	TUV,CE		
120 X 120 X 32	AD2512MB	BALL	12	0.60	7.20	2300	23.7	0.621	51.1	276	3	CE		
120 X 120 X 32	AD2512HB	BALL	12	0.65	7.80	2500	25.2	0.640	51.0	276	0,3	CE		

NOTE B=Ball S=Sleeve X=Hypro AT= Terminals AW= Wires

ALL RIGHTS RESERVED

ADDA USA
DC FAN SPECIFICATIONS

Frame Dimensions (mm)	Model Part Number	Bearing Type	Volts (V)	Current (A)	Power (W)	Speed (RPM)	Air Flow (CFM)	Pressure (Inches)	Noise (dB/A)	Weight (g)	Features Available	Safety Approvals	Units Per Box	Box Wt. (lbs.)
120 X 120 X 32	AD2512UB	BALL	12	1.00	8.00	3200	33.1	1.121	55.8	276	0,2,3	CE		
120 X 120 X 32	AD2512LS	S	12	0.15	1.80	1200	12.0	0.109	34.3	276	0	TUV,CE		
120 X 120 X 32	AD2512MS	S	12	0.60	7.20	2300	23.7	0.621	51.1	276	0	TUV,CE		
120 X 120 X 32	AD2512HS	S	12	0.65	7.80	2500	25.2	0.640	51.0	276	0	CE		
120 X 120 X 32	AD2512US	S	12	1.00	8.00	3200	33.1	1.121	55.8	276	0	CE		
120 X 120 X 32	AD2524MX	HYPRO	24	0.40	9.60	2300	23.7	0.621	51.1	276	0	UL,TUV,CE		
120 X 120 X 32	AD2524MB	BALL	24	0.40	9.60	2300	23.7	0.621	51.1	276	0	UL,CUL,CSA,TUV,CE		
120 X 120 X 32	AD2524HB	BALL	24	0.43	9.80	2500	25.2	0.640	51.0	276	0	CE		
120 X 120 X 32	AD2524UB	BALL	24	0.50	9.80	2800	29.4	0.800	52.5	276	0	CE		
120 X 120 X 32	AD2524MS	S	24	0.40	9.60	2300	23.7	0.621	51.1	276	0	UL,CSA,TUV,CE		
120 X 120 X 32	AD2524US	S	24	0.50	9.80	2800	29.4	0.800	52.5	276	0	CE		
120 X 120 X 38	AD1212LX-F51	HYPRO	12	0.24	2.88	1950	72.3	0.135	32.9	297	1	UL,CUL,TUV,CE	40	33.66
120 X 120 X 38	AD1212LX-F53	HYPRO	12	0.24	2.88	1950	72.3	0.135	32.9	297	3	CE	40	33.66
120 X 120 X 38	AD1212MX-F51	HYPRO	12	0.35	4.20	2540	94.0	0.244	41.0	297	1	UL,CUL,CSA,CE	40	33.66
120 X 120 X 38	AD1212MX-F53	HYPRO	12	0.35	4.20	2540	94.0	0.244	41.0	297	3	CSA,CE	40	33.66
120 X 120 X 38	AD1212HX-F51	HYPRO	12	0.50	6.00	2800	104.8	0.270	42.8	297	1,4	UL,CUL,TUV,CSA,CE	40	33.66
120 X 120 X 38	AD1212HX-F52	HYPRO	12	0.50	6.00	2800	104.8	0.270	42.8	297	2	CSA,CE	40	33.66
120 X 120 X 38	AD1212HX-Y51	HYPRO	12	0.40	4.80	2750	108.0	0.215	43.3	213	1	CE	40	33.66
120 X 120 X 38	AD1212LB-F51	BALL	12	0.24	2.88	1950	72.3	0.135	32.9	297	1,3	UL,CUL,TUV,CE	40	33.66
120 X 120 X 38	AD1212LB-F52	BALL	12	0.24	2.88	1950	72.3	0.135	32.9	297	2	UL,CE	40	33.66
120 X 120 X 38	AD1212MB-F51	BALL	12	0.35	4.20	2540	94.0	0.244	41.0	297	1	UL,CUL,TUV,CSA,CE	40	33.66
120 X 120 X 38	AD1212MB-F52	BALL	12	0.35	4.20	2540	94.0	0.244	41.0	297	2,3,4,7	CSA,CE	40	33.66
120 X 120 X 38	AD1212HB-F51	BALL	12	0.50	6.00	2800	104.8	0.270	42.8	297	1,3	UL,CUL,TUV,CSA,CE	40	33.66
120 X 120 X 38	AD1212HB-F52	BALL	12	0.50	6.00	2800	104.8	0.270	42.8	297	2,4	UL,CUL,TUV,CE	40	33.66
120 X 120 X 38	AD1212HB-F57	BALL	12	0.50	6.00	2800	104.8	0.270	42.8	297	7	CSA,CE	40	33.66
120 X 120 X 38	AD1212HB-Y51	BALL	12	0.40	4.80	2750	108.0	0.215	43.3	213	1,3	CE	40	33.66
120 X 120 X 38	AD1212UB-F51	BALL	12	0.07	0.84	3200	122.0	0.394	48.0	297	1,2,4	CE	40	33.66
120 X 120 X 38	AD1212UB-F53	BALL	12	0.07	0.84	3200	122.0	0.394	48.0	297	3	UL,CUL,CE	40	33.66
120 X 120 X 38	AD1212LS-F51	S	12	0.24	2.88	1950	72.3	0.135	32.9	297	1	UL,CUL,TUV,CE	40	33.66
120 X 120 X 38	AD1212MS-F51	S	12	0.35	4.20	2540	94.0	0.244	41.0	297	1	UL,CUL,TUV,CSA,CE	40	33.66
120 X 120 X 38	AD1212MS-F52	S	12	0.35	4.20	2540	94.0	0.244	41.0	297	2,3,4,7	CSA,CE	40	33.66
120 X 120 X 38	AD1212HS-F51	S	12	0.50	6.00	2800	104.8	0.270	42.8	297	1,4	UL,CUL,TUV,CSA,CE	40	33.66
120 X 120 X 38	AD1212HS-F52	S	12	0.50	6.00	2800	104.8	0.270	42.8	297	2,3,7	CSA,CE	40	33.66
120 X 120 X 38	AD1212US-F51	S	12	0.70	8.40	3200	122.0	0.394	48.0	297	1	CE	40	33.66
120 X 120 X 38	AD1224MX-F51	HYPRO	24	0.23	5.52	2540	94.0	0.244	41.0	297	1	UL,CUL,TUV,CSA,CE	40	33.66
120 X 120 X 38	AD1224HX-F51	HYPRO	24	0.32	7.68	2800	104.8	0.270	42.8	297	1,2	UL,CUL,TUV,CSA,CE	40	33.66
120 X 120 X 38	AD1224UX-F51	HYPRO	24	0.40	9.60	3200	122.0	0.394	48.0	297	1	UL,CUL,CE	40	33.66
120 X 120 X 38	AD1224UX-F52F	HYPRO	24	0.40	9.60	3200	122.0	0.394	48.0	297	2	CE	40	33.66
120 X 120 X 38	AD1224LB-F51	BALL	24	0.14	3.36	1950	72.3	0.135	32.9	297	1	UL,CUL,TUV,CE	40	33.66
120 X 120 X 38	AD1224MB-F51	BALL	24	0.23	5.52	2540	94.0	0.244	41.0	297	1,3	UL,CUL,TUV,CSA,CE	40	33.66
120 X 120 X 38	AD1224MB-F52	BALL	24	0.23	5.52	2540	94.0	0.244	41.0	297	2	UL,CSA,CE	40	33.66
120 X 120 X 38	AD1224MB-F54	BALL	24	0.23	5.52	2540	94.0	0.244	41.0	297	4	CSA,CE	40	33.66
120 X 120 X 38	AD1224HB-F51	BALL	24	0.32	7.68	2800	104.8	0.270	42.8	297	1	UL,CUL,TUV,CSA,CE	40	33.66
120 X 120 X 38	AD1224HB-F52	BALL	24	0.32	7.68	2800	104.8	0.270	42.8	297	2,3	UL,CSA,TUV,CE	40	33.66

NOTE B=Ball S=Sleeve X=Hypro AT=Terminals AW=Wires

ALL RIGHTS RESERVED

**ADDA USA
DC FAN SPECIFICATIONS**

Frame Dimensions (mm)	Model Part Number	Bearing Type	Volts (V)	Current (A)	Power (W)	Speed (RPM)	Air Flow (CFM)	Pressure (Inches)	Noise (dB/A)	Weight (g)	Features Available	Safety Approvals	Units Per Box	Box Wt. (lbs.)
120 X 120 X 38	AD1224HB-F54	BALL	24	0.32	7.68	2800	104.8	0.270	42.8	297	4,7	CSA,CE	40	33.66
120 X 120 X 38	AD1224UB-F51	BALL	24	0.40	9.60	3200	122.0	0.394	48.0	297	1,2,3	UL,CUL,CE	40	33.66
120 X 120 X 38	AD1224LS-F51	S	24	0.14	3.36	1950	72.3	0.135	32.9	297	1	UL,CUL,TUV,CE	40	33.66
120 X 120 X 38	AD1224MS-F51	S	24	0.23	5.52	2540	94.0	0.244	41.0	297	1	UL,CUL,TUV,CSA,CE	40	33.66
120 X 120 X 38	AD1224MS-F52	S	24	0.23	5.52	2540	94.0	0.244	41.0	297	2,3,4	CSA,CE	40	33.66
120 X 120 X 38	AD1224HS-F51	S	24	0.32	7.68	2800	104.8	0.270	42.8	297	1	UL,CUL,TUV,CSA,CE	40	33.66
120 X 120 X 38	AD1224HS-F52	S	24	0.32	7.68	2800	104.8	0.270	42.8	297	2,3,4	CSA,CE	40	33.66
120 X 120 X 38	AD1224US-F51	S	24	0.40	9.60	3200	122.0	0.394	48.0	297	1	UL,CUL,CE	40	33.66
120 X 120 X 38	AD1248MX-F52	HYPRO	48	0.14	6.72	2540	94.0	0.244	41.0	297	2	UL,CE	40	33.66
120 X 120 X 38	AD1248HX-F51	HYPRO	48	0.20	9.60	2800	104.8	0.270	42.8	297	1	UL,CUL,TUV,CSA,CE	40	33.66
120 X 120 X 38	AD1248HX-F52	HYPRO	48	0.20	9.60	2800	104.8	0.270	42.8	297	2	UL,CUL,CSA,CE	40	33.66
120 X 120 X 38	AD1248LS-F51	S	48	0.10	4.80	1950	72.3	0.135	32.9	297	1	UL,CUL,TUV,CSA,CE	40	33.66
120 X 120 X 38	AD1248MS-F51	S	48	0.14	6.72	2540	94.0	0.244	41.0	297	1	UL,CUL,TUV,CSA,CE	40	33.66
120 X 120 X 38	AD1248MS-F52	S	48	0.14	6.72	2540	94.0	0.244	41.0	297	2	UL,CE	40	33.66
120 X 120 X 38	AD1248LB-F51	BALL	48	0.10	4.80	1950	72.3	0.135	32.9	297	1,3	UL,CUL,TUV,CSA,CE	40	33.66
120 X 120 X 38	AD1248MB-F51	BALL	48	0.14	6.72	2540	94.0	0.244	41.0	297	1	UL,CUL,TUV,CSA,CE	40	33.66
120 X 120 X 38	AD1248MB-F52	BALL	48	0.14	6.72	2540	94.0	0.244	41.0	297	2,3	CE	40	33.66
120 X 120 X 38	AD1248HB-F51	BALL	48	0.20	9.60	2800	104.8	0.270	42.8	297	1,2	UL,CUL,TUV,CSA,CE	40	33.66
120 X 120 X 38	AD1248HB-F53	BALL	48	0.20	9.60	2800	104.8	0.270	42.8	297	3	UL,CE	40	33.66
120 X 120 X 38	AD1248HB-F54	BALL	48	0.20	9.60	2800	104.8	0.270	42.8	297	4	CE	40	33.66
120 X 120 X 38	AD1248HB-Y56	BALL	48	0.13	6.24	2750	108.0	0.215	43.3	213	6	CE	40	33.66
120 X 120 X 38	AD1248UB-F51	BALL	48	0.23	9.80	3200	122.0	0.394	48.0	297	1,3	CE	40	33.66
120 X 120 X 38	AD1248HS-F51	S	48	0.20	9.60	2800	104.8	0.270	42.8	297	1,2	UL,CUL,TUV,CSA,CE	40	33.66
120 X 120 X 38	AD1248HS-F53	S	48	0.20	9.60	2800	104.8	0.270	42.8	297	3	CE	40	33.66

NOTE B=Ball S=Sleeve X= Hypro AT= Terminals AW= Wires

ALL RIGHTS RESERVED

勝特力材料 886-3-5753170
 勝特力电子(上海) 86-21-34970699
 勝特力电子(深圳) 86-755-83298787
[Http://www.100y.com.tw](http://www.100y.com.tw)