

6314 /2HP

## DC axial fan

勝特力材料 886-3-5753170  
勝特力电子(上海) 86-21-34970699  
勝特力电子(深圳) 86-755-83298787  
[Http://www.100y.com.tw](http://www.100y.com.tw)



### ebm-papst St. Georgen GmbH & Co. KG

Hermann-Papst-Str. 1  
D-78112 St. Georgen  
Phone +49 (0) 7724 81-0  
Fax +49 (0) 7724 81-1309  
[info2@de.ebmpapst.com](mailto:info2@de.ebmpapst.com)  
[www.ebmpapst.com](http://www.ebmpapst.com)

### Nominal data

Type	6314 /2HP	
Nominal voltage	VDC	24
Nominal voltage range	VDC	16 .. 30
Speed (rpm)	min <sup>-1</sup>	5000
Power consumption	W	31
Min. ambient temperature	°C	-20
Max. ambient temperature	°C	65
Air flow	m <sup>3</sup> /h	545
Sound power level	B	6.9
Sound pressure level	dB(A)	58

ml = Max. load · me = Max. efficiency · fa = Free air · cs = Customer specification · ce = Customer equipment  
Subject to change

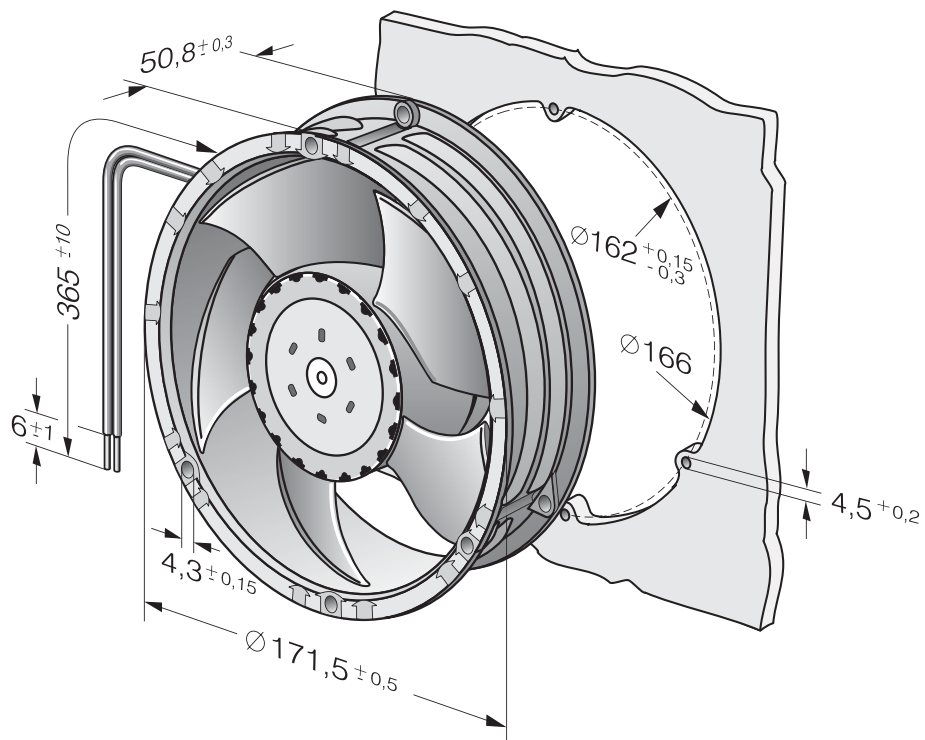


**Technical description**

<b>General description</b>	Power consumption when wide open; these values may be considerably higher at the operating point.
<b>Impeller material</b>	Glass-fiber reinforced PA plastic
<b>Weight</b>	0.91 kg
<b>Dimensions</b>	Ø 172 x 51 mm
<b>Housing material</b>	Die-cast aluminum
<b>Airflow direction</b>	Exhaust over struts
<b>Direction of rotation</b>	Counterclockwise, viewed toward rotor
<b>Storage</b>	Ball bearing
<b>Service life L10 at 40 °C</b>	77500 h
<b>Service life L10 at maximum temperature</b>	42500 h
<b>Cable</b>	With leads AWG 22, TR 64



## Product drawing



## Curves

