

# FD4010 SERIES



## 40x40x10mm

- Airflow: 4.5~8.1 CFM
- Static Pressure: 2.0~5.4 mm-H<sub>2</sub>O
- Blade / Housing: Plastic Material UL 94V-0 P.B.T.
- Lead Wire: UL1007 #26 AWG
- Weight: 15 g

勝特力材料 886-3-5753170  
 勝特力电子(上海) 86-21-34970699  
 勝特力电子(深圳) 86-755-83298787  
[Http://www.100y.com.tw](http://www.100y.com.tw)

Model No.	Bearing	Rated Voltage VDC	Operating Voltage Range VDC	Speed RPM	Max. Airflow CFM	Max. Static Pressure mm-H <sub>2</sub> O	Current mA	Power Consumption W	Life at 40°C L10 Hour	P-Q Curve	Noise Level dB(A)
FD054010LB	2B	05	4~5.5	4500	4.5	2.0	90	0.45	80000	4	21.5
FD054010MB	2B		4~5.5	5500	5.6	2.9	130	0.65	80000	3	26.5
FD054010HB	2B		4~5.5	6500	6.6	4.1	170	0.85	75000	2	29.0
FD054010EB	2B		4~5.5	7500	8.1	5.4	250	1.25	65000	1	34.5
FD124010LB	2B	12	7~13.2	4500	4.5	2.0	55	0.66	80000	4	21.5
FD124010MB	2B		7~13.2	5500	5.6	2.9	65	0.78	80000	3	26.5
FD124010HB	2B		7~13.2	6500	6.6	4.1	90	1.08	75000	2	29.0
FD124010EB	2B		7~13.2	7500	8.1	5.4	120	1.44	65000	1	34.5
FD244010LB	2B	24	12~26.4	4500	4.5	2.0	50	1.20	80000	4	21.5
FD244010MB	2B		12~26.4	5500	5.6	2.9	60	1.44	80000	3	26.5
FD244010HB	2B		12~26.4	6500	6.6	4.1	70	1.68	75000	2	29.0

2B: 2-ball bearing BS: 1-ball 1-sleeve bearing L: sintetico bearing S: sleeve bearing

### Voltage Available

05 12 24 48

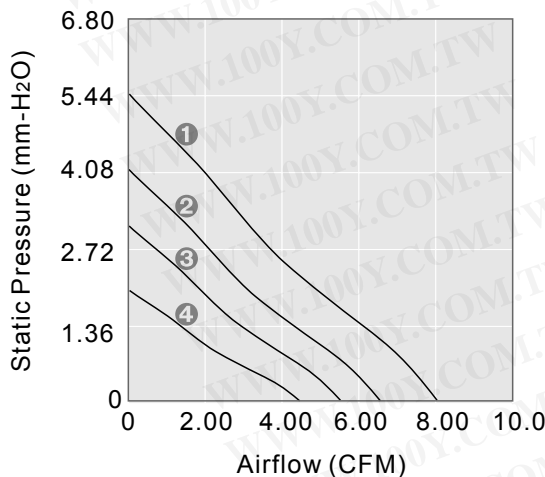
### Bearing System Available

2B L S

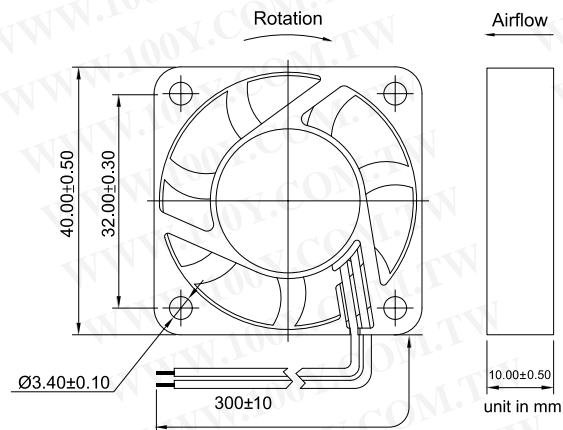
### Function Available

N A I F R Q S T M V C P D W U

### PERFORMANCE P-Q CURVE



### OUTLINE DIMENSIONS



Please refer to Model Numbering System for bearing, function and speed level indication.  
 Specifications are subject to changes without notice.  
 Please refer to the formally issued product specification via Chan-Yu sales department.  
 You can also visit our website- [www.chanyu.com.tw](http://www.chanyu.com.tw) for more update information. Customized specification are designed accordingly.