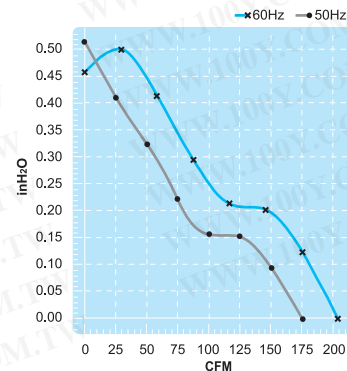
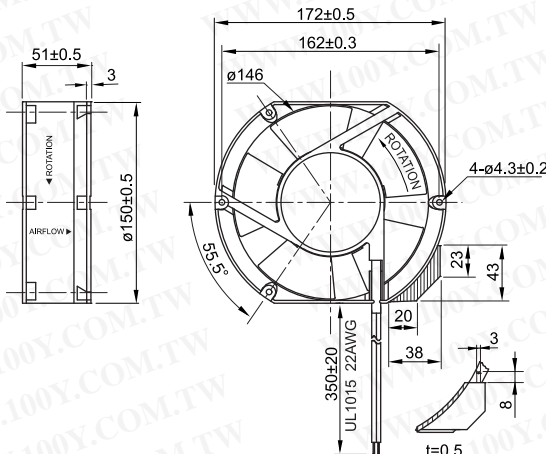


# UF15P Series

勝特力材料 886-3-5753170  
 勝特力电子(上海) 86-21-34970699  
 勝特力电子(深圳) 86-755-83298787  
[Http://www.100y.com.tw](http://www.100y.com.tw)

Size : 172 x 150 x 51  
 Unit : mm



## Impedance Protection

## Terminal or Lead Wire Type



Spec.	Rated Voltage	Frequency	Input Power	Rated Current	Locked Current	Speed	Maximum Air Flow	Maximum Air Flow	Maximum Pressure	Maximum Pressure	Noise	Weight
Model	V	Hz	W	A	A	RPM	m <sup>3</sup> /min.	CFM	mmH <sub>2</sub> O	InchH <sub>2</sub> O	dB	kg
UF15P11-H	115V	50	32	0.43	0.51	2750	4.8	170	10.5	0.42	50	0.9
		60	28	0.36	0.45	3100	5.5	195	9.5	0.38	55	
UF15P23-H	230V	50	35	0.23	0.29	2750	4.8	170	10.5	0.42	50	0.9
		60	30	0.18	0.25	3100	5.5	195	9.5	0.38	55	