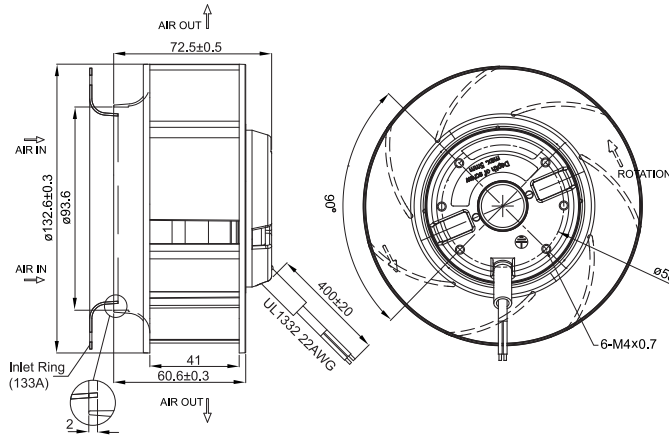


UF133(72)APA Series

Size : $\varnothing 132.6 \times 72.5$
Unit : mm

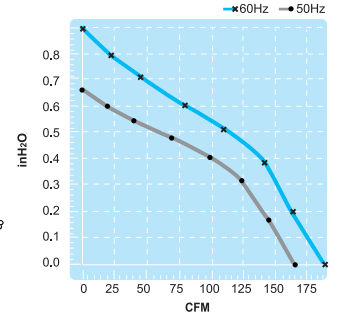


Thermal Protection



Lead Wire Type

(Centrifugal Fan)



Spec. / Model	Rated Voltage (V)	Frequency (Hz)	Input Power (W)	Rated Current (A)	Locked Current (A)	Speed (RPM)	Maximum Air Flow (m ³ /min.)	Maximum Air Flow (CFM)	Maximum Pressure (mmH ₂ O)	Maximum Pressure (InchH ₂ O)	Capacitor (uF/VDB)	Noise (dB)	Weight (kg)
UF133(72)APA 11H1S2A	115V	50	42	0.50	0.83	2780	4.66	165	16.6	0.65	---	50	0.9
		60	41	0.43	0.72	3200	5.33	188	22.4	0.88	---	60	
UF133(72)APA 23H1S2A	230V	50	40	0.24	0.39	2780	4.66	165	16.6	0.65	---	50	0.9
		60	39	0.21	0.34	3200	5.33	188	22.4	0.88	---	60	