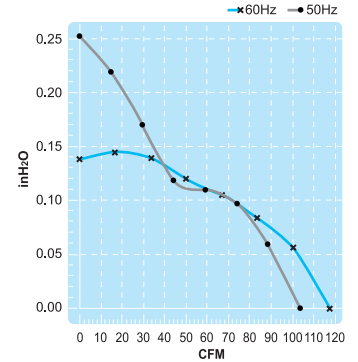
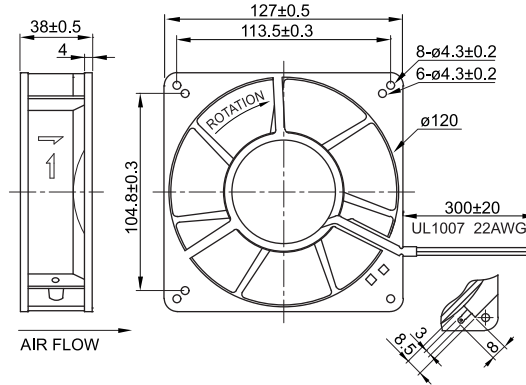


# UF13A Series

Size : 127 x 127 x 38

Unit : mm



## Impedance Protection

## Terminal or Lead Wire Type



| Spec. / Model | Rated Voltage V | Frequency Hz | Input Power W | Rated Current A | Locked Current A | Speed RPM | Maximum Air Flow m <sup>3</sup> /min. | Maximum Air Flow CFM | Maximum Pressure mmH <sub>2</sub> O | Maximum Pressure InchH <sub>2</sub> O | Noise dB | Weight kg |
|---------------|-----------------|--------------|---------------|-----------------|------------------|-----------|---------------------------------------|----------------------|-------------------------------------|---------------------------------------|----------|-----------|
| UF13A10-H     | 100V            | 50           | 15            | 0.24            | 0.33             | 2700      | 2.9                                   | 103                  | 7.3                                 | 0.29                                  | 46       | 0.55      |
|               |                 | 60           | 13            | 0.20            | 0.27             | 3000      | 3.4                                   | 120                  | 2.8                                 | 0.11                                  | 50       |           |
| UF13A11-H     | 115V            | 50           | 14            | 0.20            | 0.26             | 2700      | 2.9                                   | 103                  | 7.3                                 | 0.29                                  | 46       | 0.55      |
|               |                 | 60           | 12            | 0.16            | 0.23             | 3000      | 3.4                                   | 120                  | 2.8                                 | 0.11                                  | 50       |           |
| UF13A20-H     | 200V            | 50           | 15            | 0.12            | 0.17             | 2700      | 2.9                                   | 103                  | 7.3                                 | 0.29                                  | 46       | 0.55      |
|               |                 | 60           | 13            | 0.10            | 0.14             | 3000      | 3.4                                   | 120                  | 2.8                                 | 0.11                                  | 50       |           |
| UF13A23-H     | 230V            | 50           | 17            | 0.10            | 0.13             | 2700      | 2.9                                   | 103                  | 7.3                                 | 0.29                                  | 46       | 0.55      |
|               |                 | 60           | 15            | 0.09            | 0.11             | 3000      | 3.4                                   | 120                  | 2.8                                 | 0.11                                  | 50       |           |