

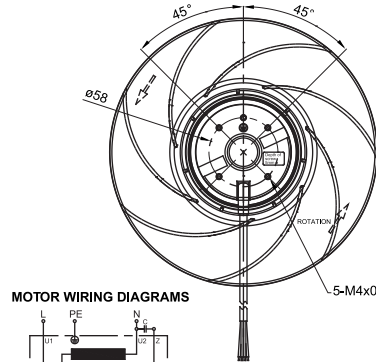
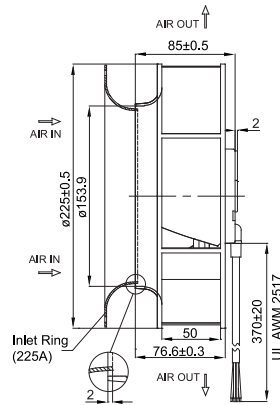
# UF225(85)APA Series

Size :  $\varnothing 225 \times 85$

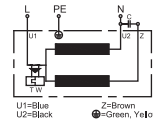
Unit : mm



## Thermal Protection

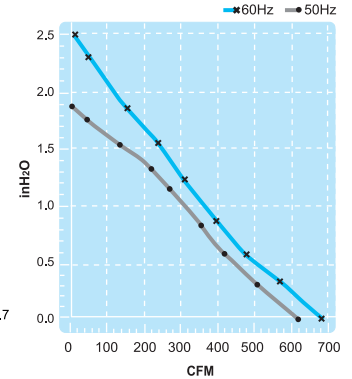


## MOTOR WIRING DIAGRAMS



U1=Blue  
U2=Black  
Z1=Green, Y=Blue.

## (Centrifugal Fan)



## Lead Wire Type



Spec.	Rated Voltage	Frequency	Input Power	Rated Current	Locked Current	Speed	Maximum Air Flow	Maximum Air Flow	Maximum Pressure	Maximum Pressure	Capacitor	Noise	Weight
Model	V	Hz	W	A	A	RPM	m <sup>3</sup> /min.	CFM	mmH <sub>2</sub> O	InchH <sub>2</sub> O	μF/VDB	dB	kg
UF225(85)APA 11H1C2A	115V	50	115	1.15	2.22	2700	17.5	618	46	1.8	12/250	71	2.3
		60	135	1.20	2.30	3000	19.2	680	64	2.5		75	
UF225(85)APA 23H1C2A	230V	50	115	0.57	1.14	2700	17.5	618	46	1.8	3/450	71	2.3
		60	135	0.60	1.15	3000	19.2	680	64	2.5		75	