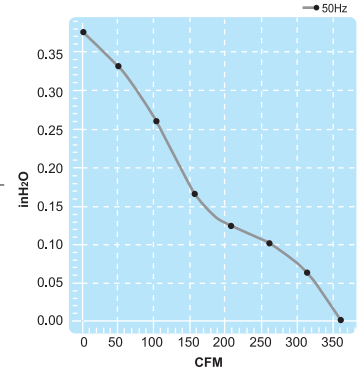
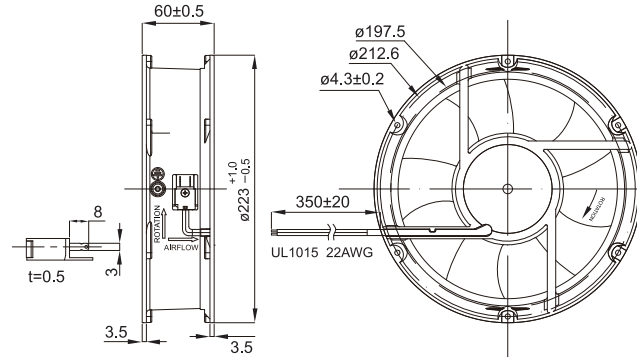


UF22F Series

Size : $\varnothing 223 \times 60$

Unit : mm



Thermal Protection

Terminal or Lead Wire Type



Spec.	Rated Voltage	Frequency	Input Power	Rated Current	Locked Current	Speed	Maximum Air Flow	Maximum Air Flow	Maximum Pressure	Maximum Pressure	Noise	Weight
Model	V	Hz	W	A	A	RPM	m ³ /min.	CFM	mmH ₂ O	InchH ₂ O	dB	kg
UF22F23-H	230V	50	47	0.35	0.56	2700	11	400	10.9	0.43	57	1.5