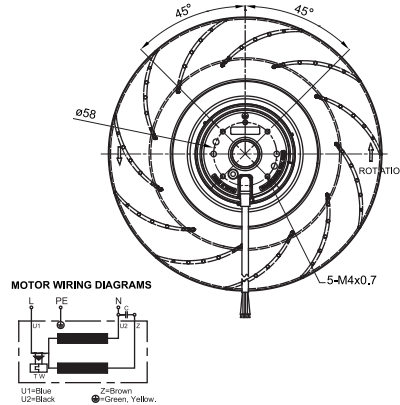
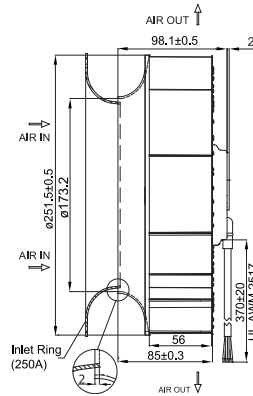
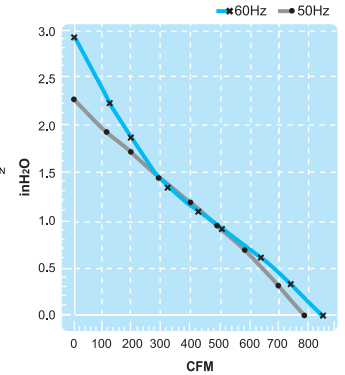


UF250APA Series

Size : $\varnothing 251.5 \times 98.1$
Unit : mm



(Centrifugal Fan)



Thermal Protection

Lead Wire Type



Spec. / Model	Rated Voltage V	Frequency Hz	Input Power W	Rated Current A	Locked Current A	Speed RPM	Maximum Air Flow m ³ /min.	Maximum Air Flow CFM	Maximum Pressure mmH ₂ O	Maximum Pressure InchH ₂ O	Capacitor μ F/VDB	Noise dB	Weight kg
UF250APA11H1C2A	115V	50	170	1.50	3.10	2600	22	770	56	2.2	20/250	75	3.1
		60	240	2.10	3.00	2700	24	850	74	2.9	76		
UF250APA23H1C2A	230V	50	170	0.77	1.57	2600	22	770	56	2.2	5/450	75	3.1
		60	240	1.00	1.52	2700	24	850	74	2.9	76		