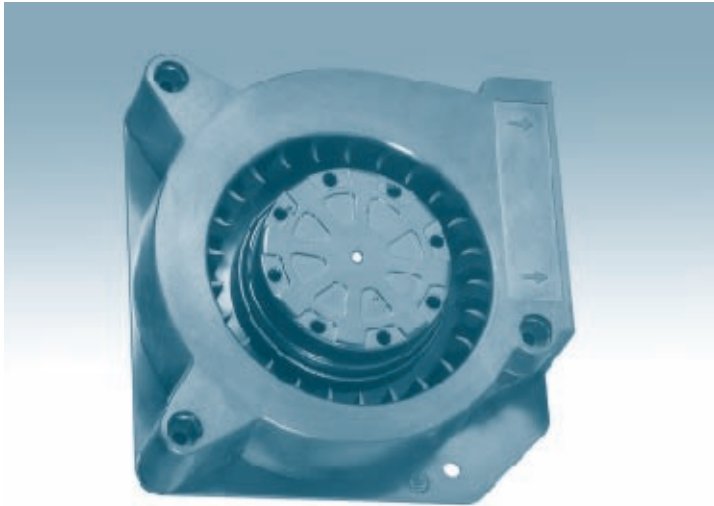
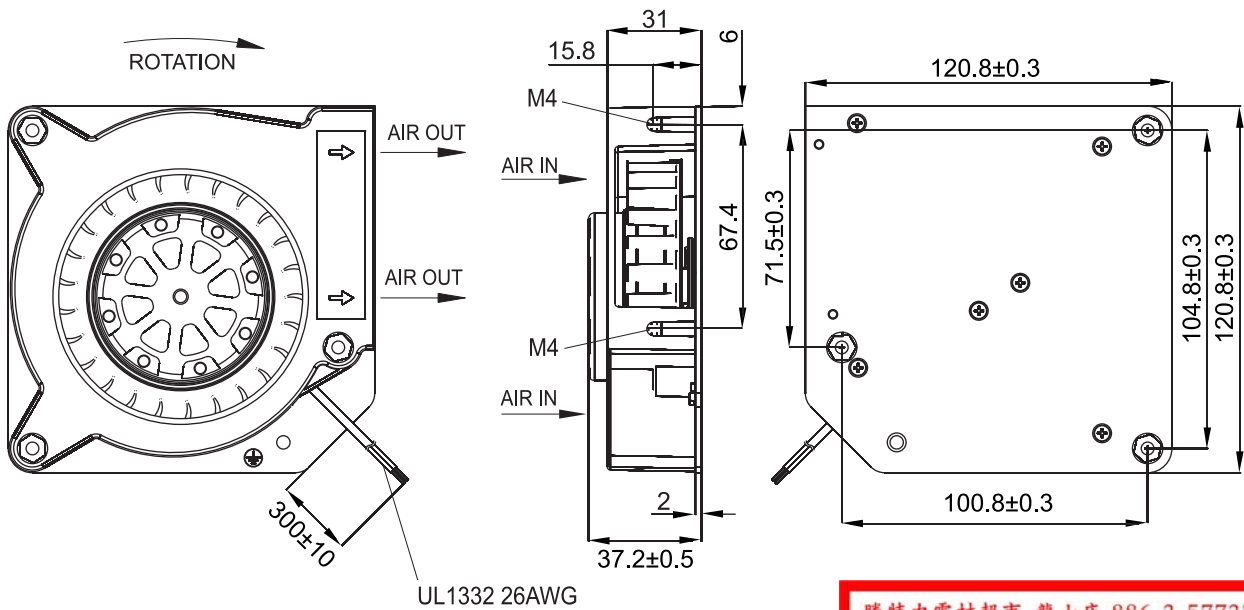
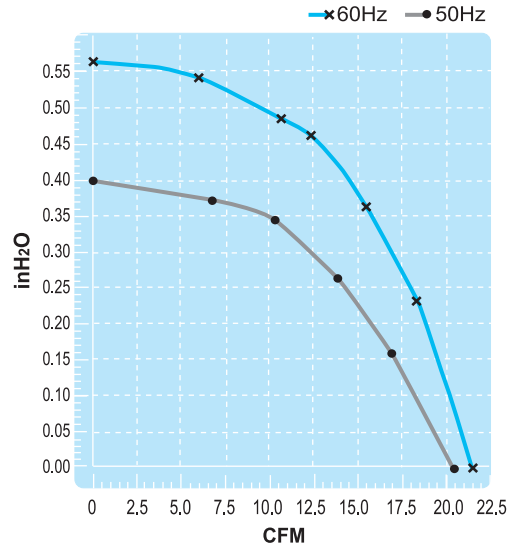


UF90DPB Series



Thermal Protection

(Blower Fan)



Lead Wire Type

勝特力電材超市-龍山店 886-3-5773766
 勝特力電材超市-光復店 886-3-5729570
 勝特力電子(上海) 86-21-34970699
 勝特力電子(深圳) 86-755-83298787
<http://www.100y.com.tw>



Spec.	Rated Voltage	Frequency	Input Power	Rated Current	Locked Current	Speed	Maximum Air Flow	Maximum Air Flow	Maximum Pressure	Maximum Pressure	Noise	Weight
Model	V	Hz	W	A	A	RPM	m ³ /min.	CFM	mmH ₂ O	InchH ₂ O	dB	kg
UF90DPB11H1S2A	115V	50	19	0.23	0.30	2500	0.58	20	10	0.40	49	0.66
		60	18	0.21	0.26	2700	0.60	21	13	0.50	51	
UF90DPB23H1S2A	230V	50	19	0.11	0.14	2500	0.58	20	10	0.40	49	0.66
		60	18	0.10	0.12	2700	0.60	21	13	0.50	51	