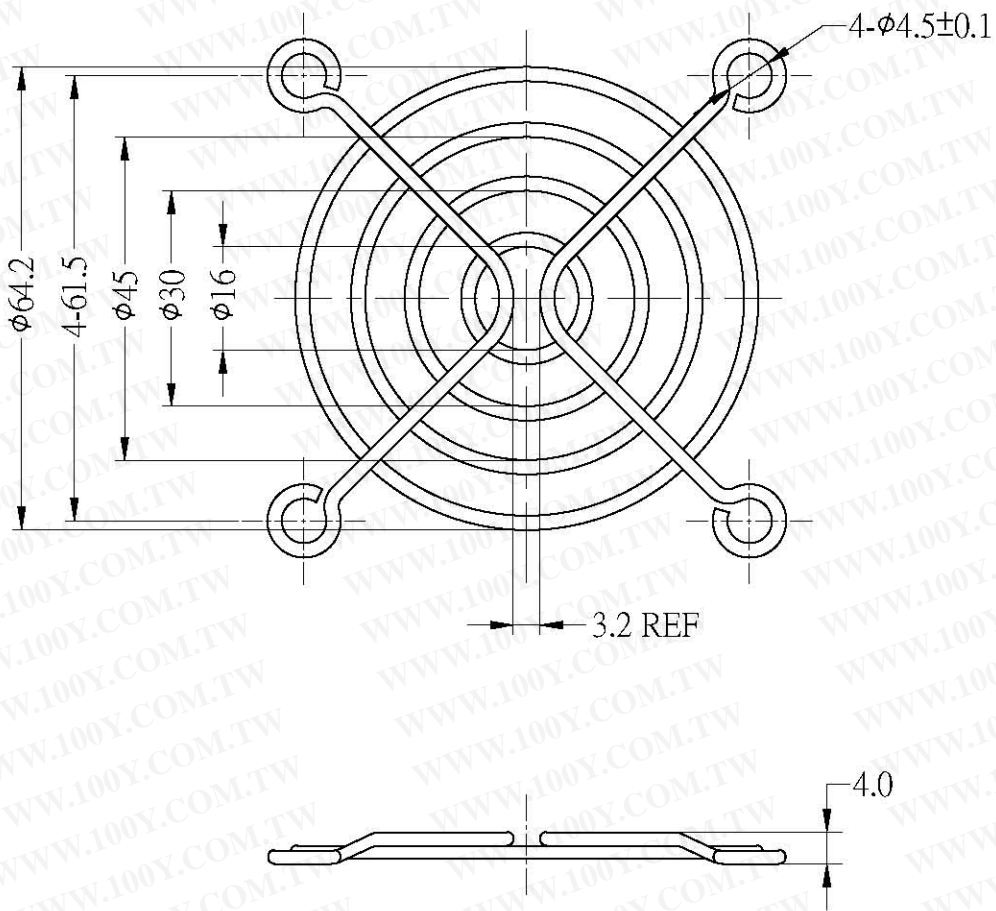


版次 EDITION	年月日 DATE	變更事項 REVISION RECORD	變更通知 REVISION NO.	核准 APPROVED



NOTES:

1. MATERIAL: C1008 BRIGHT BASIC WIRE.
2. FINISH: BRIGHT NICKEL CHROME.
3. (1) RINGS ARE $\phi 1.6$ mm.
(2) RIBS ARE $\phi 1.6$ mm.
4. WELD JOINTS TO WITHSTAND 88 LBS PULL FORCE.
5. SPACING BETWEEN RINGS TO BE EUQIDISTANT 5.36mm.
6. GENERAL TOLERANCE UNLESS NOTED: ± 0.5 mm.
7. PART MEETS $\phi 6.35$ mm PLUG GAUGE TEST.
8. UNIT: mm.

勝特力材料 886-3-5753170
 勝特力电子(上海) 86-21-34970699
 勝特力电子(深圳) 86-755-83298787
[Http://www.100y.com.tw](http://www.100y.com.tw)

DO NOT SCALE DRAWING				CUSTOMER PART NO.	
DRAWN BY(制作)	CHECKED(審圖)	APPROVED(承認)	尺 SCALE	PRO-CROWN PART NO.	G07F4-4HA-R
張 炎			制 圖 日 DRAWING DATE	MATERIAL(材質)	SEE NOTES
			2002.04.05	FINISH(表面處理)	SEE NOTES