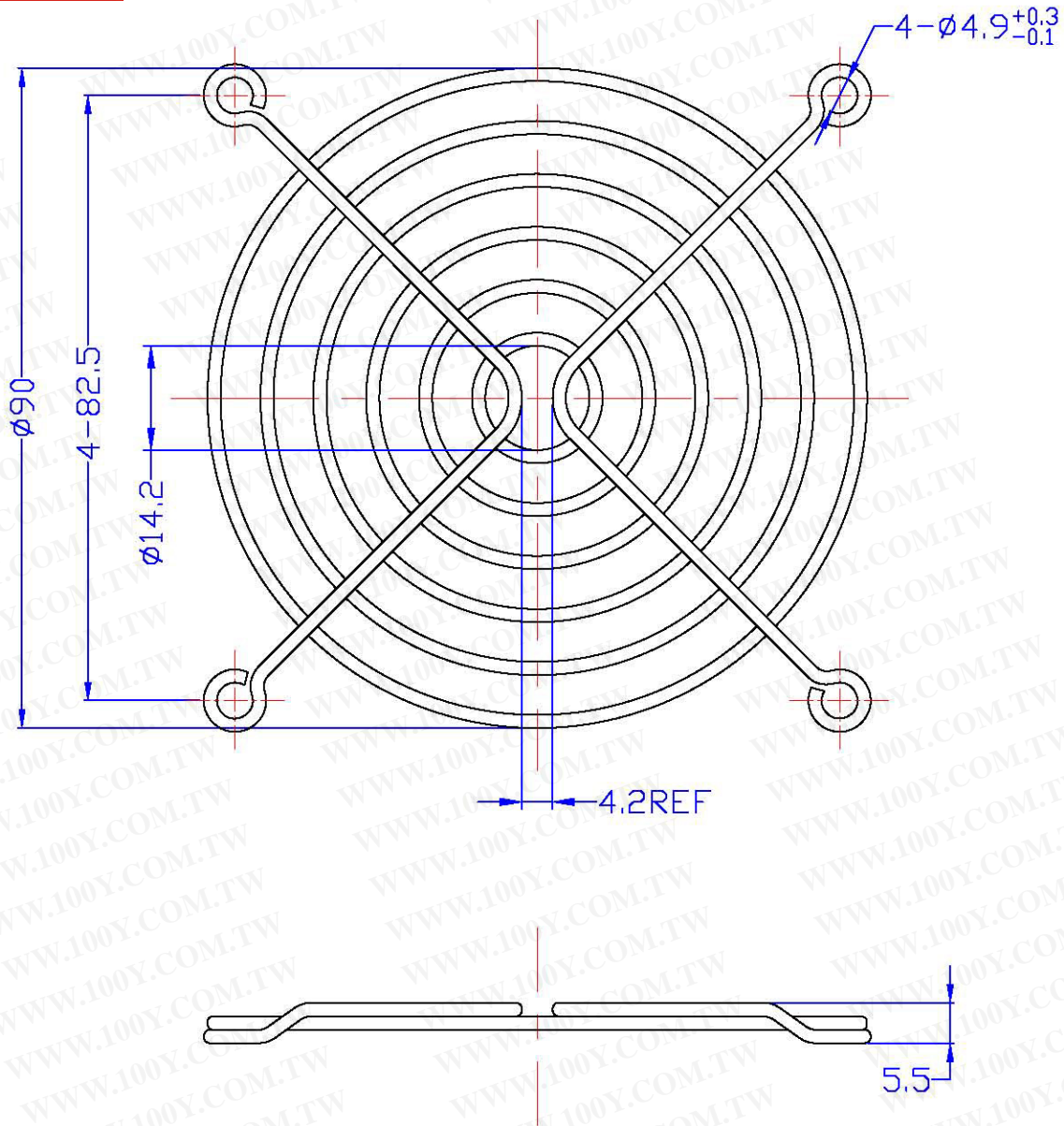


| 版次 EDITION | 年月日 DATE | 變更事項 REVISION RECORD | 變更通知 REVISION NO. | 核准 APPROVED |
|---------------|-------------|-------------------------|----------------------|----------------|
| | | | | |



NOTES:

1. MATERIAL: SUS201 STAINLESS STEEL.
2. FINISH: ELECTROLYZE.
3. (1) RINGS ARE $\phi 1.6\text{mm}$.
(2) RIBS ARE $\phi 1.8\text{mm}$.
4. WELD JOINTS TO WITHSTAND 88 LBS PULL FORCE.
5. SPACING BETWEEN RINGS TO BE EQUIDISTANT 5.66mm.
6. GENERAL TOLERANCE UNLESS NOTED: $\pm 0.5\text{mm}$.
7. PART MEETS $\phi 6.35\text{mm}$ PLUG GAUGE TEST.
8. UNIT: mm.

DO NOT SCALE DRAWING

DRAWN BY (制作) CHECKED (審圖) APPROVED (承認)



尺 度
SCALE

制 圖 日 期
DRAWING DATE

2004. 04. 16

CUSTOMER PART NO.

PRO-CROWN PART NO.

MATERIAL (材質)

FINISH (表面處理)

G09A6-4HA/SS

SEE NOTES

SEE NOTES