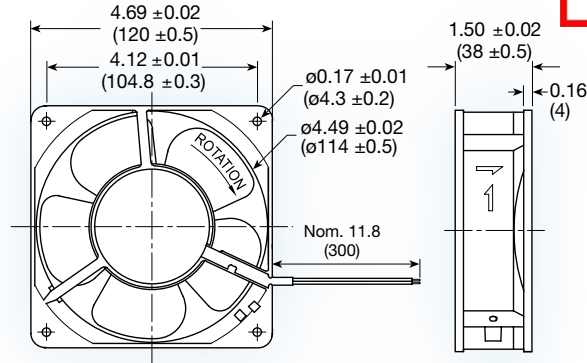
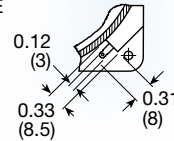


# UF12A series

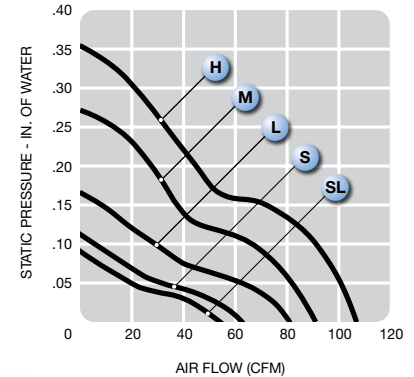


LEAD WIRE TYPE



TERMINAL TYPE

勝特力電材超市-龍山店 886-3-5773766  
 勝特力電材超市-光復店 886-3-5729570  
 勝特力電子(上海) 86-21-34970699  
 勝特力電子(深圳) 86-755-83298787  
<http://www.100y.com.tw>



**(120 x 120 x 38 mm)**

4.69 x 4.69 x 1.5 inches

Operating voltage: 115 or 230 VAC

Construction: aluminum die cast frame;  
UL94V-0 PBT impeller

Bearing option: ball bearing or sintered bronze sleeve

Motor: shaded pole

Air Flow: exhaust over struts

Connection: terminal or 22 AWG lead wire

Protection: impedance

Option: dual voltage 115/230VAC; IP55;  
IP55 + salt fog, tachometer output

Model No.	Rated Voltage V	Freq. HZ	Input Power W	Rated Cur. A	Locked Cur. A	Speed RPM	Air Volume		Max. Static Pressure (H <sub>2</sub> O)		Sound Noise dB <sub>A</sub>	Weight kg
							M <sup>3</sup> /Min.	CFM	MM	INCH		
UF12A12-__H	115	60	12	0.16	0.23	3,100	3.0	106	8.7	0.35	46	0.53
UF12A23-__H	230	60	15	0.08	0.12	3,100	3.0	106	8.7	0.35	46	0.53
UF12A12-__M	115	60	12	0.17	0.19	2,750	2.6	92	7.0	0.28	42	0.53
UF12A23-__M	230	60	15	0.08	0.09	2,750	2.6	92	7.0	0.28	42	0.53
UF12A12-__L	115	60	12	0.15	0.16	2,300	2.3	81	4.0	0.16	38	0.53
UF12A23-__L	230	60	15	0.07	0.08	2,300	2.3	81	4.0	0.16	38	0.53
UF12A12-__S	115	60	8	0.08	0.09	2,100	1.8	64	2.8	0.11	37	0.53
UF12A23-__S	230	60	8	0.04	0.05	2,100	1.8	64	2.8	0.11	37	0.53
UF12A12-__SL	115	60	6	0.06	0.07	1,800	1.6	57	2.3	0.09	36	0.53
UF12A23-__SL	230	60	6	0.03	0.04	1,800	1.6	57	2.3	0.09	36	0.53

