

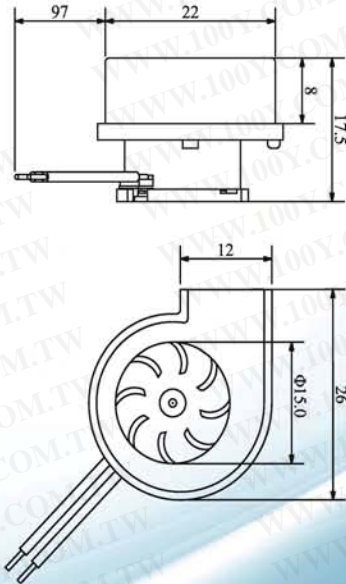
SINGLE MICRO-BLOWER

► RBS2218

DIMENSIONS

■ 22 x 26 x 17.5

(unit: mm)



International Patents

FEATURES

- Low profile
- Low power
- High static-pressure
- Long service life
- Efficient cooling

APPLICATIONS

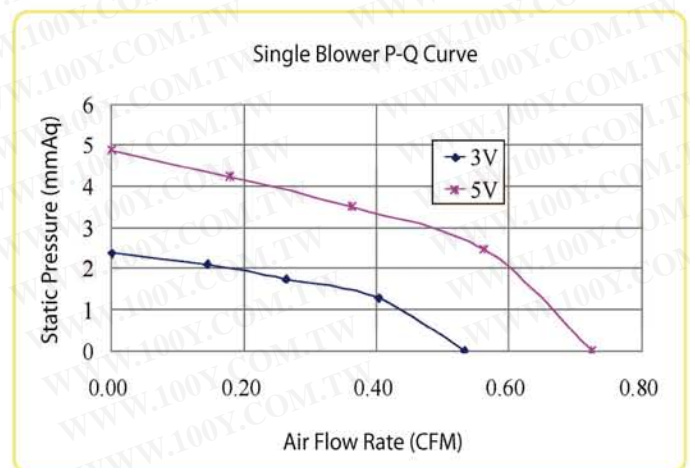
Cooling solutions for high-speed memory module, CCTV, security surveillance system, LED lighting and small projector.

SPECIFICATIONS

Model Number	RBS2218
Product Name	Single Micro-Blower
Rated Voltage (VDC)	5.0
Operating Voltage (VDC)	4.5~5.5
Rated Current (mA)	80
Rotation Speed (RPM)	10,000
Air Flow (CFM)	0.7
Static Pressure (mmAq)	4.8
Noise (dB(A))	40
Weight (g)	7.5

- Specifications subject to change without notice
- Operating Temperature: -10~+60°C

PERFORMANCE CURVE



勝特力材料 886-3-5753170
勝特力电子(上海) 86-21-34970699
勝特力电子(深圳) 86-755-83298787
[Http://www.100y.com.tw](http://www.100y.com.tw)

