

80mm sq.

San Ace 80

15mm thick, 20mm thick, **25mm thick**
 25mm thick (San Cooler), 32mm thick
 38mm thick (GV type), 38mm thick (G type)



勝特力材料 886-3-5753170
 勝特力电子(上海) 86-21-34970699
 勝特力电子(深圳) 86-755-83298787
[Http://www.100y.com.tw](http://www.100y.com.tw)

General Specifications With a pulse sensor

- Material Frame: Plastics (Flammability: UL94V-0),
 Impeller: Plastics (Flammability: UL94V-1)
- Life Expectancy Varies for each model (L10: Survival rate: 90% at 60°C,
 rated voltage, and continuously run in a free air state)
- Lead Wire ⊕red ⊖black or blue (Sensor) yellow
- Storage Temperature -30°C to +70°C (Non-condensing)

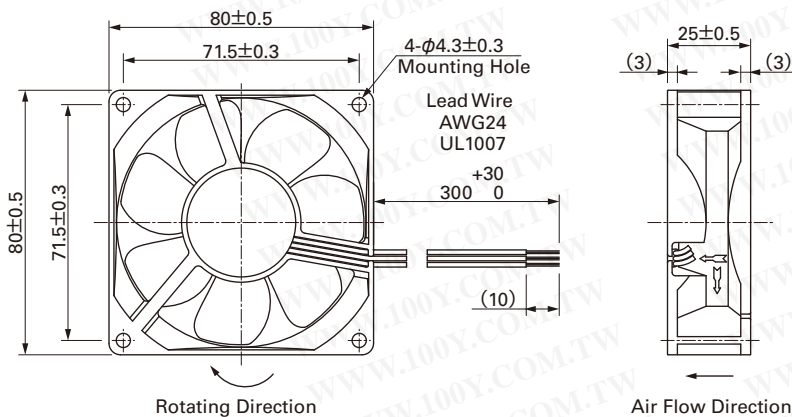
80×80×25mm (Mass : 110g)

Specifications The numbers in () represent ribless models.

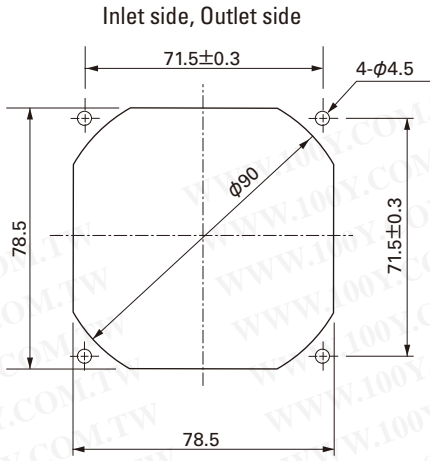
Model No.	Rated Voltage [V]	Operating Voltage Range [V]	Rated Current [A]	Rated Input [W]	Rated Speed [min ⁻¹]	Air Flow [m ³ /min] [CFM]	Static Pressure [Pa] [inchH ₂ O]	SPL [dB(A)]	Operating Temperature [°C]	Life Expectancy [h]
109R0805F401(4011)	5	4.5 to 5.5	0.25	1.25	2,600	0.92 32.5	28.4 0.114	26	-10 to +70	60,000
109R0805M401(4011)			0.17	0.85	2,350	0.83 29.3	22.5 0.090	23		
109R0812G401(4011)	12	6 to 13.8	0.37	4.44	4,500	1.50 53.0	80.4 0.323	40	-10 to +60	40,000
109R0812S401(4011)			0.18	2.16	3,400	1.20 42.4	48.0 0.193	34		
109R0812H401(4011)			0.13	1.56	2,900	1.03 36.4	35.3 0.142	29		
109R0812F401(4011)			0.11	1.32	2,600	0.92 32.5	28.4 0.114	26		
109R0812M401(4011)			0.09	1.08	2,350	0.83 29.3	22.5 0.090	23		
109R0812L401(4011)			0.06	0.72	1,850	0.65 23.0	14.7 0.059	20		
109R0824G401(4011)	24	12 to 27.6	0.20	4.80	4,500	1.50 53.0	80.4 0.323	40	-10 to +60	40,000
109R0824S401(4011)			0.10	2.40	3,400	1.20 42.4	48.0 0.193	34		
109R0824H401(4011)			0.07	1.68	2,900	1.03 36.4	35.3 0.142	29		
109R0824F401(4011)			0.06	1.44	2,600	0.92 32.5	28.4 0.114	26		
109R0824M401(4011)			0.05	1.20	2,350	0.83 29.3	22.5 0.090	23		
109R0824L401(4011)			0.04	0.96	1,850	0.65 23.0	14.7 0.059	20		
109R0848K401(4011)	48	40.8 to 55.2	0.10	4.80	4,600	1.56 55.1	88.4 0.355	41	-10 to +60	40,000
109R0848S401(4011)			0.06	2.88	3,400	1.20 42.4	48.0 0.193	34		

Without Sensor Pulse Sensor Available in all models. Lock Sensor Low speed Sensor PWM Control Please inquire as the availability of these functions depend on the model.

Dimensions (Unit : mm) (With ribs)



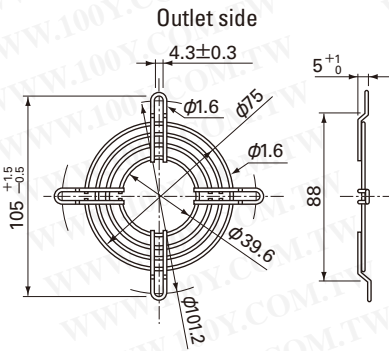
Reference dimension of mounting holes and vent opening (Unit : mm)



Options (Unit : mm)

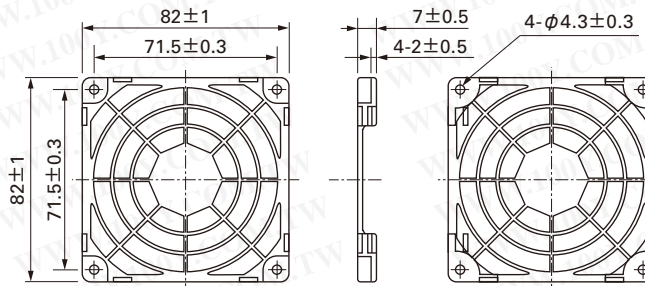
Finger guards

Model : 109-049C Surface treatment : Nickel-chrome plating (silver) Color : Nickel-chrome plating (silver)



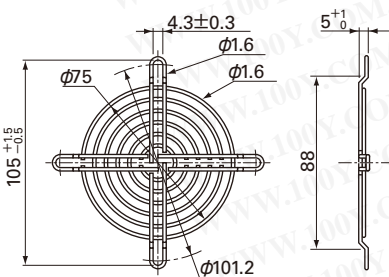
Resin finger guards

Model : 109-1002G



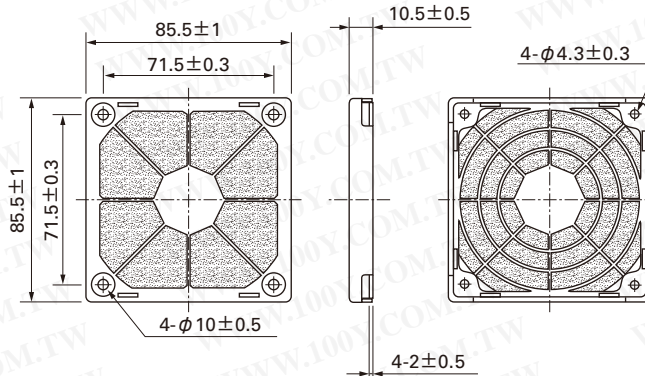
Model : 109-049E Surface treatment : Nickel-chrome plating (silver) Color : Nickel-chrome plating (silver)
 : 109-049H Surface treatment : Cation electropainting (black) Color : Cation electropainting (black)

Inlet side, Outlet side



Resin filter kits

Model : 109-1002F13 (13PPI), 109-1002F20 (20PPI)
 : 109-1002F30 (30PPI), 109-1002F40 (40PPI)

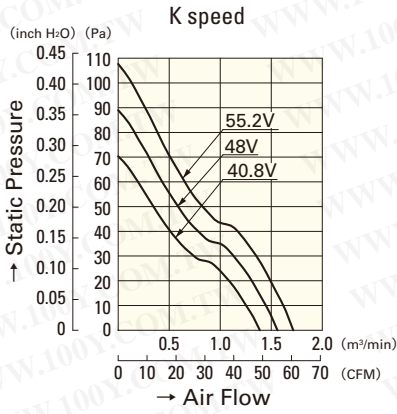


80 mm sq.

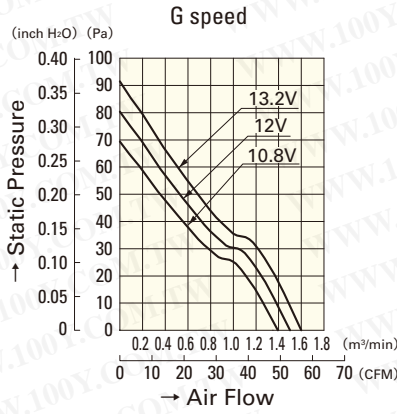
San Ace 80

80×80×25mm (Mass : 110g)

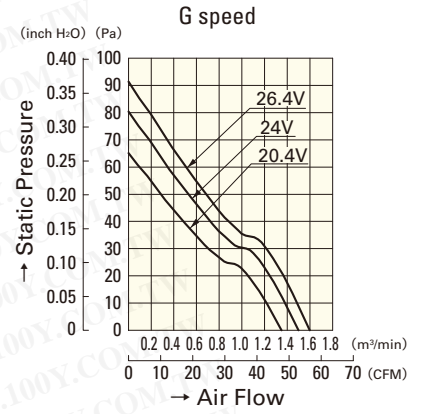
Air Flow and Static Pressure Characteristics



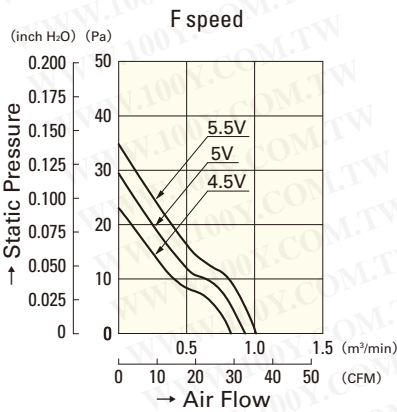
109R0848K401(4011)



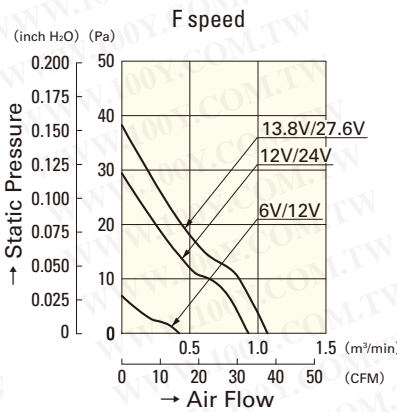
109R0812G401(4011)



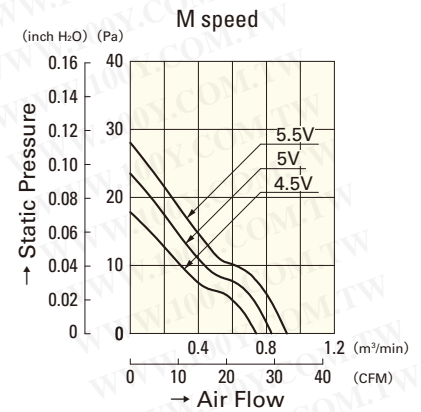
109R0824G401(4011)



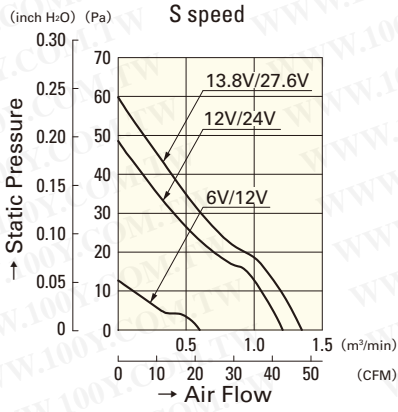
109R0805F401(4011)



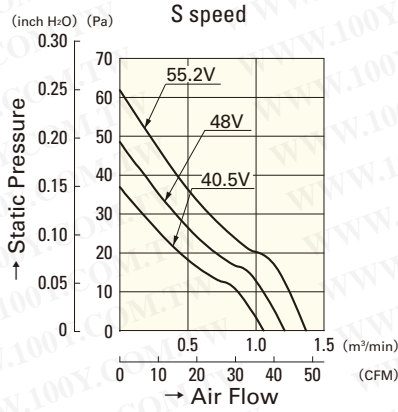
109R0812F401(4011)
109R0824F401(4011)



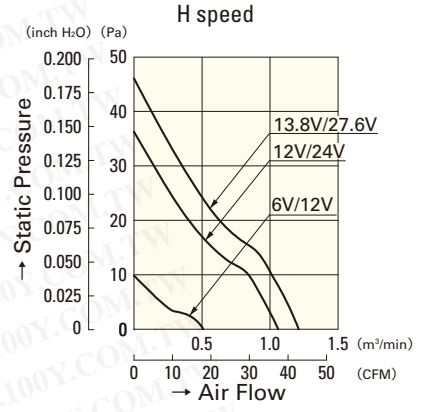
109R0805M401(4011)



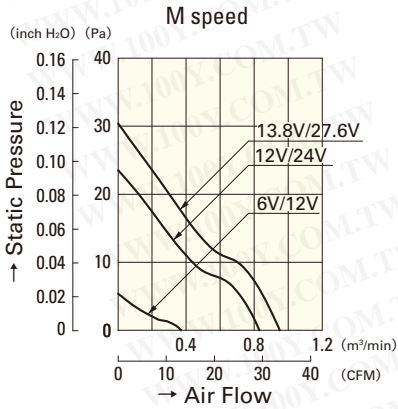
109R0812S401(4011)
109R0824S401(4011)



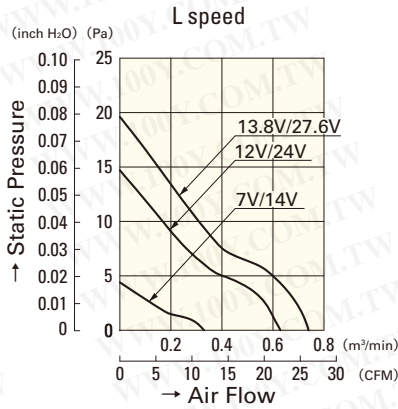
109R0848S401(4011)



109R0812H401(4011)
109R0824H401(4011)



109R0812M401(4011)
109R0824M401(4011)



109R0812L401(4011)
109R0824L401(4011)

勝特力材料 886-3-5753170
 勝特力电子(上海) 86-21-34970699
 勝特力电子(深圳) 86-755-83298787
[Http://www.100y.com.tw](http://www.100y.com.tw)