

DC Fan

**80mm sq.**

**San Ace 80**

15mm thick (9GA type), 15mm thick (9P type), 20mm thick (9GA type)  
 20mm thick (9P type), 25mm thick (9GA type), 25mm thick (9S type)  
 25mm thick (9GV type), 25mm thick (9R type)  
**25mm thick (San Cooler) (9A type)**, 32mm thick (9GA type)  
 32mm thick (9P type), 38mm thick (9HV type), 38mm thick (9GA type)  
 38mm thick (9GV type), 38mm thick (9G type)



**General Specifications**

- Material.....Frame: Plastics (Flammability: UL94V-0), Impeller: Plastics (Flammability: UL94V-0)
- Expected Life .....Refer to specifications (L10:Survival rate:90% at 60°C , rated voltage, and continuously run in a free air state)
- Lead Wire .....⊕red ⊖black or blue (Sensor) yellow
- Storage Temperature .....-30°C to +70°C (Non-condensing)

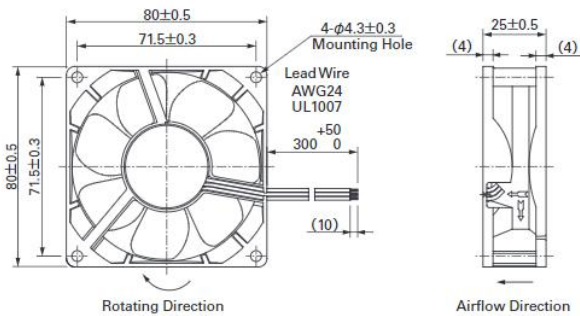
**80×80×25mm** (Mass : 90g) **9A type** **San Cooler**

**Specifications** The following nos. **have pulse sensors and ribs**. For ribless, append "1" to the model no.

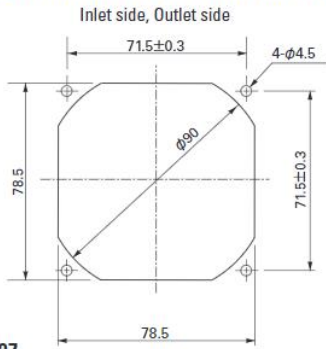
| Model No.  | Rated Voltage [V] | Operating Voltage Range [V] | Rated Current [A] | Rated Input [W] | Rated Speed [min <sup>-1</sup> ] | Max. Airflow [m <sup>3</sup> /min] [CFM] | Max. Static Pressure [Pa] [inchH <sub>2</sub> O] | SPL [dB(A)] | Operating Temperature [°C] | Expected Life [h] |
|------------|-------------------|-----------------------------|-------------------|-----------------|----------------------------------|--|--|-------------|----------------------------|-------------------|
| 9A0812G401 | 12                | 6 to 13.2                   | 0.38              | 4.56            | 4,500                            | 1.5 53.0                                 | 80.3 0.323                                       | 40          | -20 to +60                 | 30,000            |
| 9A0812S401 |                   |                             | 0.18              | 2.16            | 3,400                            | 1.2 42.4                                 | 48 0.193   | 34          |                            |                   |
| 9A0812H401 |                   | 6 to 13.8                   | 0.13              | 1.56            | 2,900                            | 1.03 36.4                                | 35.3 0.142                                       | 29          |                            |                   |
| 9A0812F401 |                   |                             | 0.11              | 1.32            | 2,600                            | 0.92 32.5                                | 28.4 0.114                                       | 26          |                            |                   |
| 9A0812M401 |                   |                             | 0.09              | 1.08            | 2,350                            | 0.83 29.3                                | 22.5 0.090                                       | 23          |                            |                   |
| 9A0812L401 |                   |                             | 0.06              | 0.72            | 1,850                            | 0.65 23.0                                | 14.7 0.059                                       | 20          |                            |                   |
| 9A0824G401 | 24                | 12 to 26.4                  | 0.21              | 5.04            | 4,500                            | 1.5 53.0                                 | 80.3 0.323                                       | 40          | -20 to +60                 | 30,000            |
| 9A0824S401 |                   |                             | 0.1               | 2.4             | 3,400                            | 1.2 42.4                                 | 48 0.193   | 34          |                            |                   |
| 9A0824H401 |                   | 12 to 27.6                  | 0.07              | 1.68            | 2,900                            | 1.03 36.4                                | 35.3 0.142                                       | 29          |                            |                   |
| 9A0824F401 |                   |                             | 0.06              | 1.44            | 2,600                            | 0.92 32.5                                | 28.4 0.114                                       | 26          |                            |                   |
| 9A0824M401 |                   |                             | 0.05              | 1.2             | 2,350                            | 0.83 29.3                                | 22.5 0.090                                       | 23          |                            |                   |
| 9A0824L401 |                   |                             | 0.04              | 0.96            | 1,850                            | 0.65 23.0                                | 14.7 0.059                                       | 20          |                            |                   |

Some models can also be equipped without sensors or with PWM control functions as an option. Please refer to the index (pp. 417 to 437).

**Dimensions (unit : mm)** (With ribs)



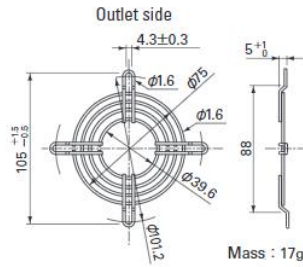
**Reference Dimension of Mounting Holes and Vent Opening (unit : mm)**



勝特力電材超市-龍山店 886-3-5773766  
 勝特力電材超市-光復店 886-3-5729570  
 勝特力电子(上海) 86-21-34970699  
 勝特力电子(深圳) 86-755-83298787  
<http://www.100y.com.tw>

**Finger Guards**

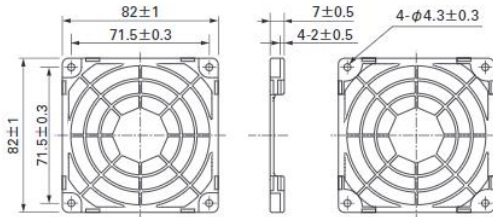
Model : 109-049C Surface treatment : Nickel-chrome plating (silver) Color : 109-049H : Cation electropainting (black)



Mass : 17g

**Resin Finger Guards**

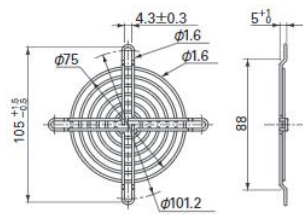
Model : 109-1002G



Mass : 10g

Model : 109-049E Surface treatment : Nickel-chrome plating (silver) Color : 109-049H : Cation electropainting (black)

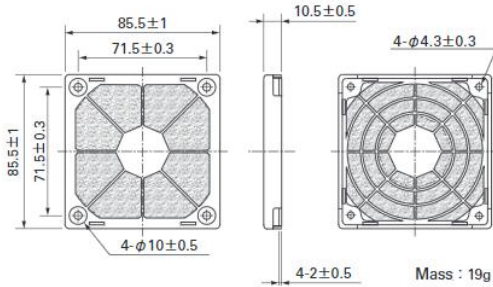
**Inlet side, Outlet side**



Mass : 21g

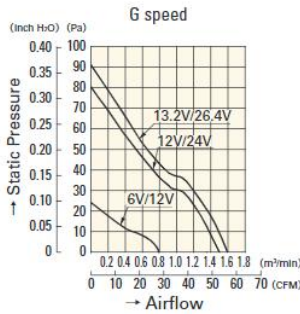
**Resin Filter Kits**

Model : 109-1002F13 (13PPF), 109-1002F20 (20PPF) : 109-1002F30 (30PPF), 109-1002F40 (40PPF)

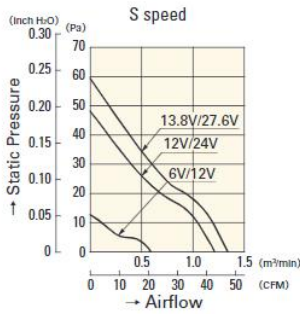


Mass : 19g

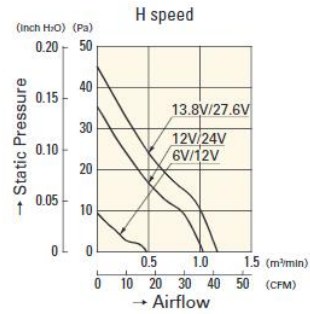
**Airflow - Static Pressure Characteristics**



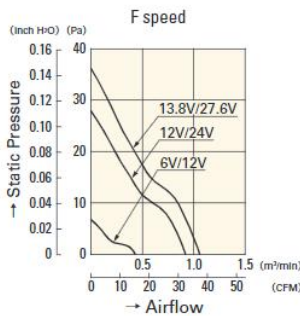
**9A0812G401**  
**9A0824G401**



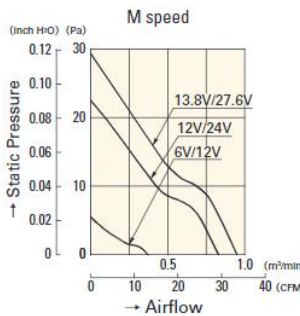
**9A0812S401**  
**9A0824S401**



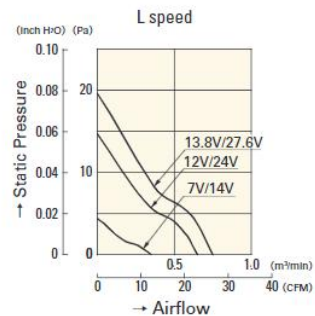
**9A0812H401**  
**9A0824H401**



**9A0812F401**  
**9A0824F401**



**9A0812M401**  
**9A0824M401**



**9A0812L401**  
**9A0824L401**