

DC Fan

120mm sq.

San Ace 120



Model no. 9G1212B401 is not certified.

General Specifications

- Material Frame: Plastics (Flammability: UL94V-0),
Impeller: Plastics (Flammability: UL94V-1)
- Expected Life Refer to specifications (L10:Survival rate:90% at 60°C ,
rated voltage, and continuously run in a free air state)
- Lead Wire ⊕red ⊖black or blue (Sensor) yellow
- Storage Temperature -30°C to +70°C (Non-condensing)

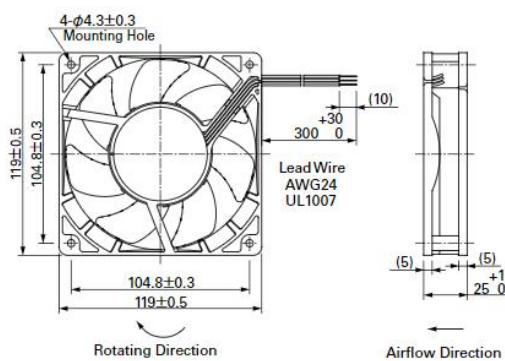
120×120×25mm (Mass : 240g) **9G type**

Specifications The following nos. **have pulse sensors and ribs**. For ribless, append "1" to the model no.

Model No.	Rated Voltage [V]	Operating Voltage Range [V]	Rated Current [A]	Rated Input [W]	Rated Speed [min ⁻¹]	Max. Airflow [m ³ /min] [CFM]	Max. Static Pressure [Pa] [inchH ₂ O]	SPL [dB(A)]	Operating Temperature [°C]	Expected Life [h]			
9G1212G401	12	10.2 to 13.8	0.90	10.8	4,100	3.68 130	120 0.482	51	-20 to +70	40,000/60°C			
9G1212E401			0.58	6.96	3,650	3.25 115	98 0.394	48					
9G1212A401			0.40	4.80	3,150	2.83 100	77 0.309	44					
9G1212H401		6 to 13.8	0.31	3.72	2,850	2.50 88	64 0.257	40					
9G1212F401			0.19	2.28	2,250	1.98 70	42 0.169	35					
9G1212M401		7 to 13.8	0.14	1.68	1,950	1.66 59	31 0.124	29					
9G1212B401			0.06	0.72	1,000	0.88 31	9.6 0.039	18					
9G1224G401		24	20.4 to 27.6	0.47	11.28	4,100	3.68 130	120 0.482			51	-20 to +70	40,000/60°C
9G1224E401				0.37	8.88	3,650	3.25 115	98 0.394			48		
9G1224A401				0.21	5.04	3,150	2.83 100	77 0.309			44		
9G1224H401	12 to 27.6		0.17	4.08	2,850	2.50 88	64 0.257	40					
9G1224F401			0.10	2.40	2,250	1.98 70	42 0.169	35					
9G1224M401	20.4 to 27.6		0.08	1.92	1,950	1.66 59	31 0.124	29					
9G1248G401			48	40.8 to 55.2	0.23	11.04	4,100	3.68 130	120 0.482	51	-20 to +70		
9G1248E401	0.16				7.68	3,650	3.25 115	98 0.394	48				
9G1248A401	0.13				6.24	3,150	2.83 100	77 0.309	44				
9G1248H401	0.10				4.80	2,850	2.50 88	64 0.257	40				
9G1248F401	0.06	2.88			2,250	1.98 70	42 0.169	35					
9G1248M401	0.05	2.40			1,950	1.66 59	31 0.124	29					

Other sensor specifications are available as options. Please refer to the index (pp. 503 to 504).

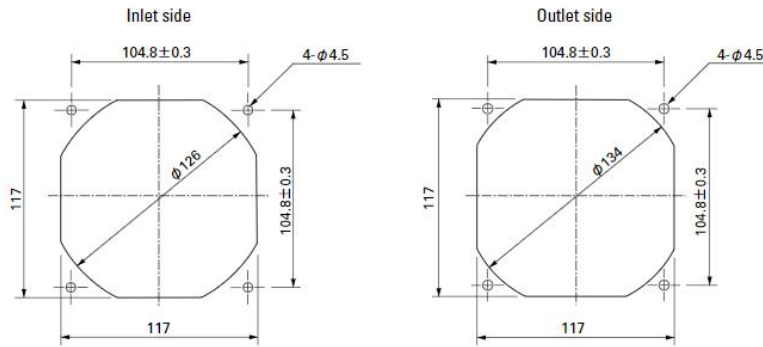
Dimensions (unit: mm) (With ribs)



Reference Dimensions of Mounting Holes and Vent Opening (unit: mm)

DC

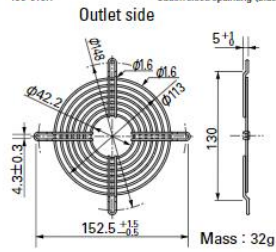
DC Fan 120mm



Options (unit: mm)

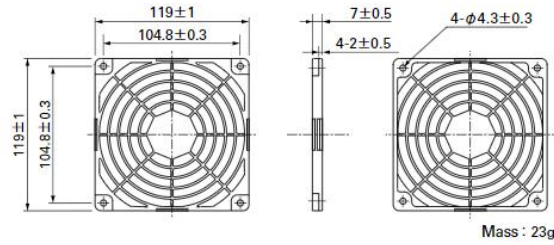
Finger Guards

Model : 109-019C Surface treatment : Nickel-chrome plating (silver) Color
 : 109-019H : Cation electropainting (black)

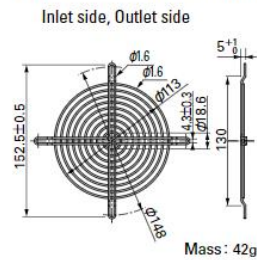


Resin Finger Guards

Model : 109-1000G

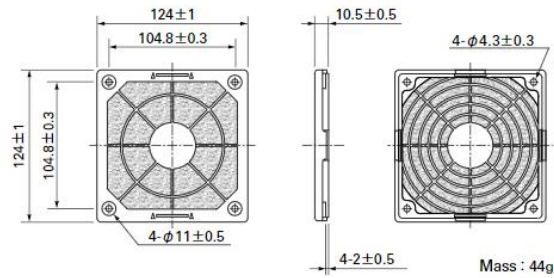


Model : 109-019E Surface treatment : Nickel-chrome plating (silver) Color
 : 109-019K : Cation electropainting (black)



Resin Filter Kits

Model : 109-1000F13 (13PPI), 109-1000F20 (20PPI)
 : 109-1000F30 (30PPI), 109-1000F40 (40PPI)



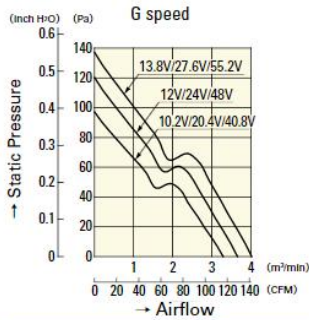
DC Fan

120mm sq.

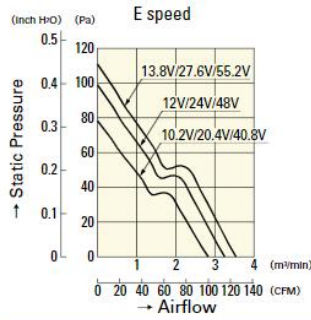
San Ace 120

120×120×25mm (Mass : 240g)

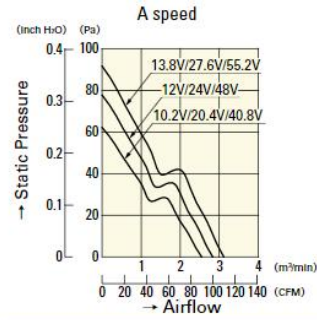
Airflow - Static Pressure Characteristics



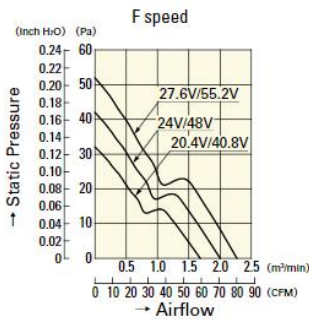
9G1212G401
9G1224G401
9G1248G401



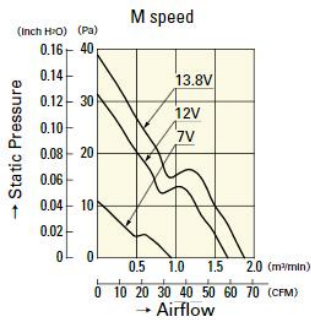
9G1212E401
9G1224E401
9G1248E401



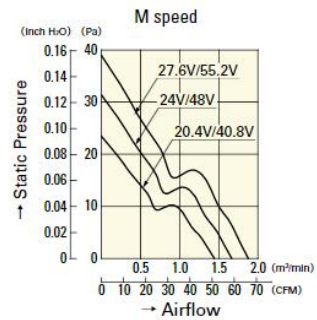
9G1212A401
9G1224A401
9G1248A401



9G1224F401
9G1248F401



9G1212M401



9G1224M401
9G1248M401