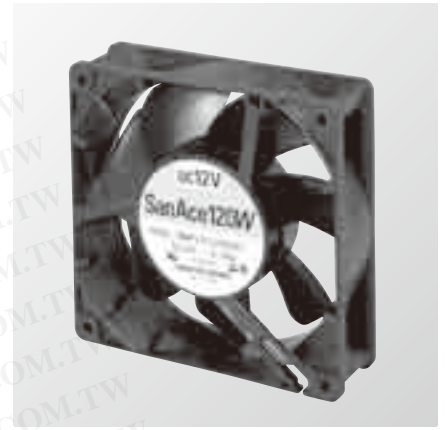


Splash Proof Fan

**120**mm sq.

**San Ace 120W**

38mm thick(WP type)  
38mm thick(WG type)  
38mm thick(WS type)



**General Specifications** With a pulse sensor

- Material ..... Frame: Plastics (Flammability: UL94V-0),  
Impeller: Plastics (Flammability: UL94V-1)
- Life Expectancy ..... Varies for each model(L10:Survival rate: 90% at 60°C ,  
rated voltage,and continuously run in a free air state)
- Lead Wire ..... ⊕red ⊖black (Sensor) yellow
- Storage Temperature ..... -30°C to +70°C (Non-condensing)

**120×120×38mm** (Mass : 360g)

**IP 55** Dust resistant device with protection against water jets

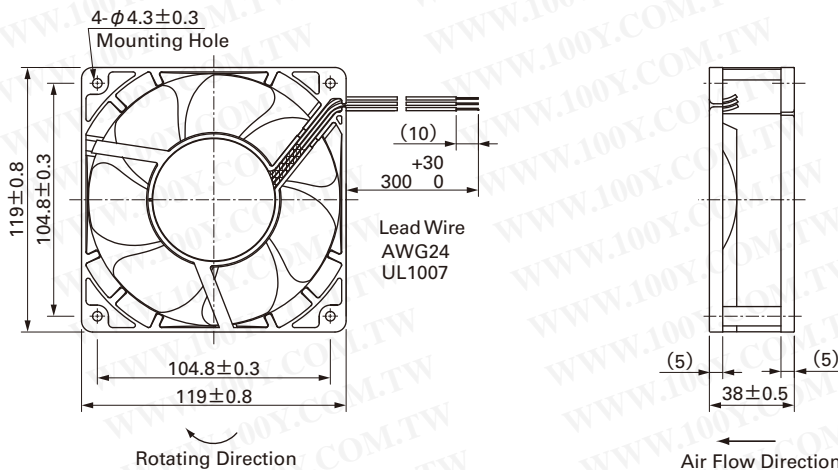
**WP type**

**Specifications** The numbers in ( ) represent ribless models.

| Model No.         | Rated Voltage [V] | Operating Voltage Range [V] | Rated Current [A] | Rated Input [W] | Rated Speed [min <sup>-1</sup> ] | Air Flow [m <sup>3</sup> /min] [CFM] | Static Pressure [Pa] [inchH <sub>2</sub> O] | SPL [dB(A)] | Operating Temperature [°C] | Life Expectancy [h] |
|-------------------|-------------------|-----------------------------|-------------------|-----------------|----------------------------------|--------------------------------------|---|-------------|----------------------------|---------------------|
| 9WP1212H101(1011) | 12                | 7 to 13.8                   | 0.38              | 4.56            | 2,600                            | 2.80 99                              | 70.4 0.283                                  | 39          | - 10 to + 70               | 40,000              |
| 9WP1224H101(1011) | 24                | 14 to 27.6                  | 0.22              | 5.28            | 2,600                            | 2.80 99                              | 70.4 0.283                                  | 39          |                            |                     |
| 9WP1248H101(1011) | 48                | 40.8 to 55.2                | 0.11              | 5.28            | 2,600                            | 2.80 99                              | 70.4 0.283                                  | 39          |                            |                     |

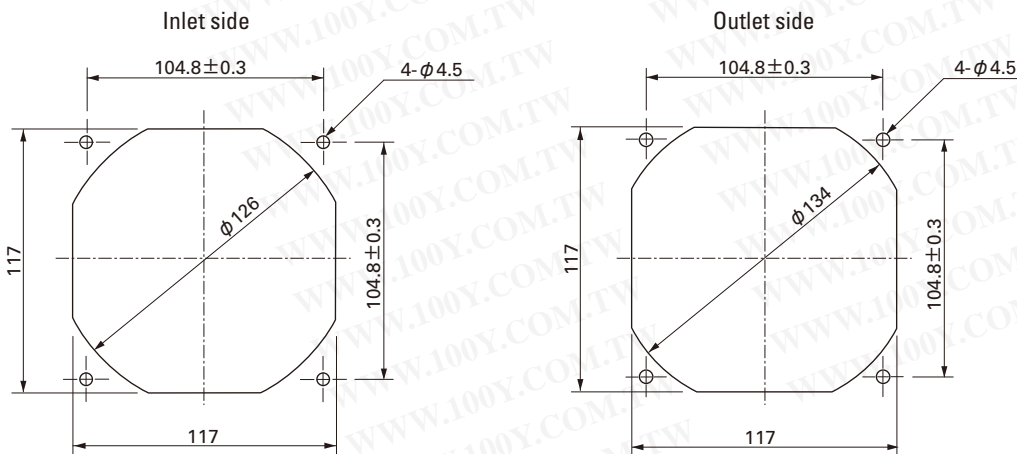
**Without Sensor** **Pulse Sensor** Available in all models. **Lock Sensor** Please inquire as the availability of these functions depend on the model.

**Dimensions (Unit : mm)** (With ribs)



勝特力材料 886-3-5753170  
 勝特力电子(上海) 86-21-34970699  
 勝特力电子(深圳) 86-755-83298787  
[Http://www.100y.com.tw](http://www.100y.com.tw)

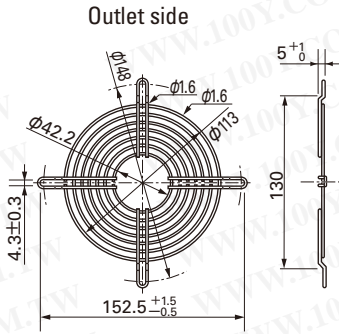
**Reference dimension of mounting holes and vent opening (Unit : mm)**



**Options (Unit : mm)**

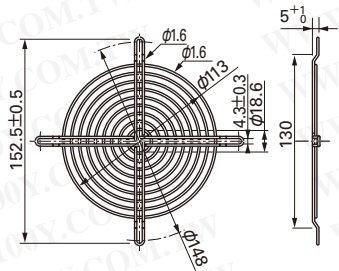
**Finger guards**

Model : 109-019C Surface treatment : Nickel-chrome plating (silver) Color  
 : 109-019H : Cation electropainting (black)



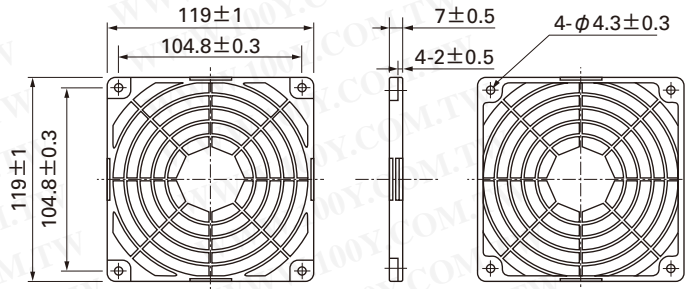
Model : 109-019E Surface treatment : Nickel-chrome plating (silver) Color  
 : 109-019K : Cation electropainting (black)

**Inlet side, Outlet side**



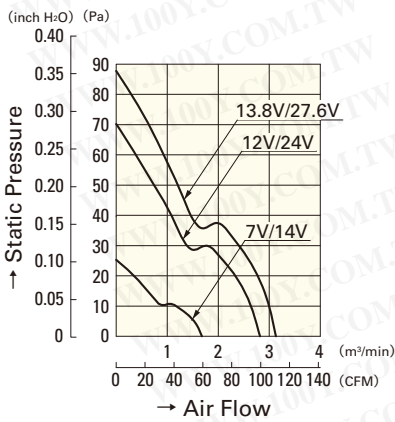
**Resin Finger guards**

Model : 109-1000G

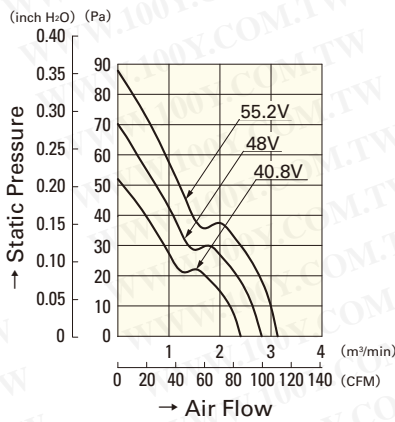


**Air Flow and Static Pressure Characteristics**

**H speed**



**H speed**



勝特力材料 886-3-5753170  
 勝特力电子(上海) 86-21-34970699  
 勝特力电子(深圳) 86-755-83298787  
[Http://www.100y.com.tw](http://www.100y.com.tw)

**9WP1212H101(1011)**  
**9WP1224H101(1011)**

**9WP1248H101(1011)**