

勝特力材料 886-3-5753170  
 勝特力电子(上海) 86-21-34970699  
 勝特力电子(深圳) 86-755-83298787  
[Http://www.100y.com.tw](http://www.100y.com.tw)



# 60 EC Fan Series x60x25mm

Optional Features



**NEW** AC FANS

ENERGY SAVING  
EODYNAMIC™



## GENERAL SPECIFICATIONS

Bearing Type: Sleeve Bearing & Ball Bearing  
 Material: Impeller & Frame: Plastic (UL94V-0)  
 Lead Wire: UL Type  
 Operation Temperature: -10°C~70°C, 35%~85%RH  
 Storage Temperature: -40°C~80°C, 35%~85%RH

## SPECIFICATIONS

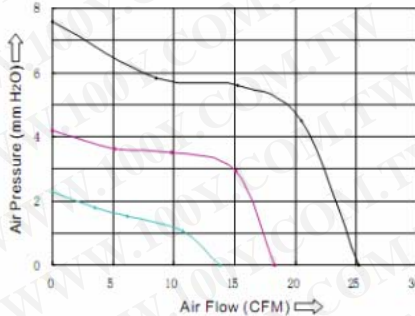
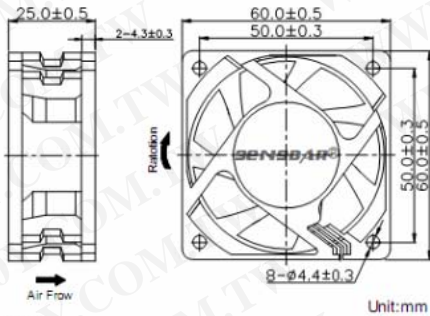
Model	Bearing System		Rated Voltage	Freq.	Operation Voltage	Rated Current	Power	Rated Speed	Air Flow	Air Pressure	Noise Level	Weight
	Ball	Sleeve	VAC	Hz	VAC	A	W	RPM	CFM	mmH <sub>2</sub> O	dBA	g
SE6025HX	●	●	115/230	50/60	98-264	0.05	4.0	5500	25.2	6.5	37	62
SE6025MX	●	●				0.04	3.0	4000	18.3	4.2	30	
SE6025LX	●	●				0.03	2.0	3000	13.8	2.3	24	

## DIMENSIONS DRAWING

## P&Q CURVE (AT RATED VOLTAGE)

## DIMENSIONS DRAWING

## P&Q CURVE (AT RATED VOLTAGE)



Note:  
 \*All readings are typical values at rated voltage.  
 \*Specifications are subject to change without prior notice.  
 \*\*"X" in model list can be B, S, and C, meaning Dual Ball Bearing, Sleeve Bearing and 1 Ball 1 Sleeve Bearing

SENSDAR(HONGKONG)INTERNATIONAL LIMITED  
 SHENZHEN SHENGSHIDA ELECTRONICS CO.,LTD  
 WWW.SENSDAR.COM  
 SALES@SENSDAR.COM