

## ITEM # CUDC24B7S, CUDC SERIES - AXIAL FAN WITH SENSOR

- Three sizes of "Silent" series: 120 mm Sq x 38 mm long, 120 mm Sq x 25 mm long , 92 mm Sq x 25 mm long
- Wide variety of product: 35 kinds (40 mm Sq x 20 mm long-120 mm Sq x 38 mm long)
- Sensor installed model
- Suitable for needs of bigger air flow rate required (generate air circulation flow inside of the unit.)



[Specifications](#) | [Airflow Pressure Curve](#) | [Dimensions](#) | [Additional Information](#) | [Customize](#)

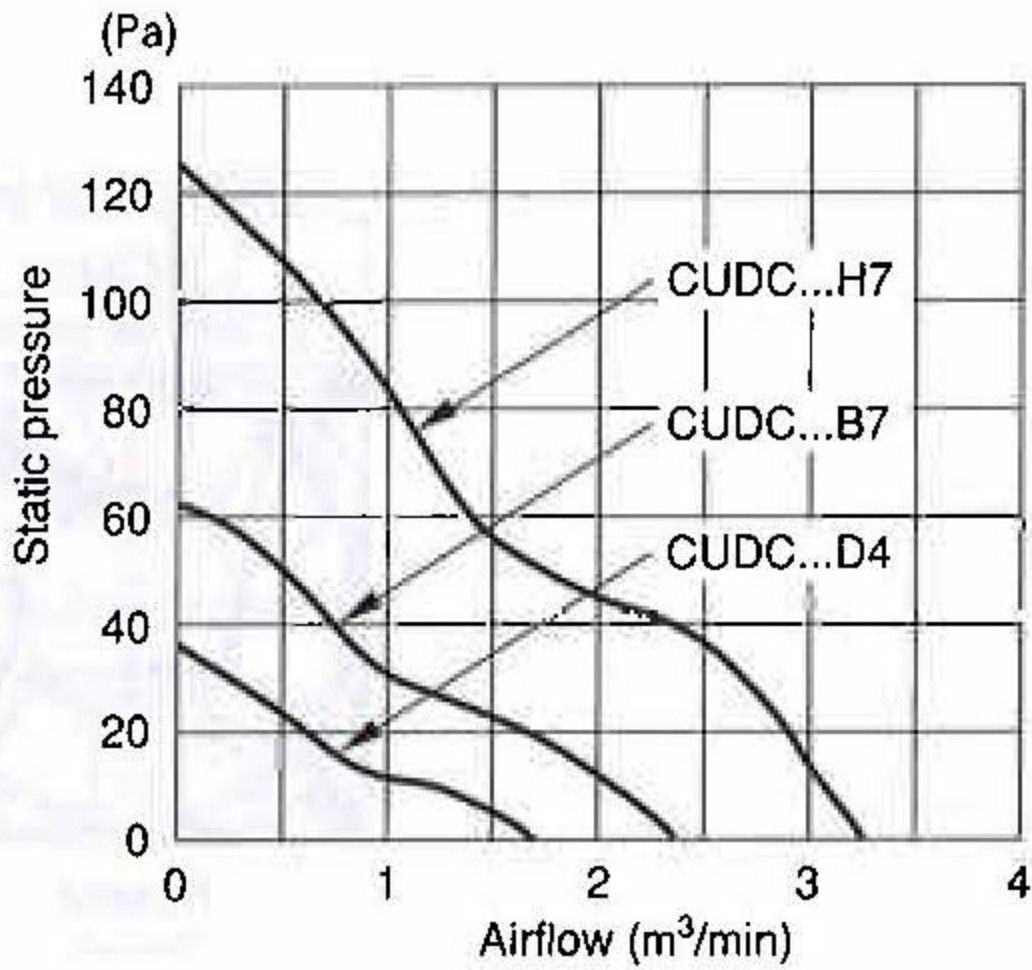
### Specifications

<b>Product Type</b>	Axial Fan with Sensor	
<b>Series</b>	CUDC	
<b>Type</b>	Ribbed Flange	
<b>Material</b>	Bearing : Both Side Shielded Ball Bearing Venturi : ABS and PBT Synthetic Resins	Propeller : ABS and PBT Synthetic Resins
<b>Motor</b>	Brushless DC Motor, Protection type : Current shut off by detecting lock state, automatically reset	
<b>Max Airflow</b>	2.4 m <sup>3</sup> /min	85 cfm

<b>Max Static Pressure</b>	60 Pa 0.24 inH <sub>2</sub> O	
<b>Noise</b>	42 dB	
<b>Min. Speed</b>	2650	
<b>Input</b>	3.8 W	
<b>Rated Voltage</b>	24 V	
<b>Operating Voltage</b>	12 - 27.6 V	
<b>Current Rating</b>	160 mA	
<b>Current Starting</b>	390 mA	
<b>Operating Temperature</b>	-20 ~ +70 °C	
<b>Dimensions</b>	120 x 25 mm	4.7 x 1.0 in
<b>Weight</b>	180 g	
<b>Options Available</b>	Filter : F120 Filter	Guard : F120UL Guard
<b>Qty/Box</b>	60	
<b>Carton Size</b>	45 x 38 x 29 cm	
<b>Qty/Pallet</b>	720	
<b>Standard Pallet Size</b>	790 x 930 x 1020 cm	
<b>Box/Pallet</b>	12	

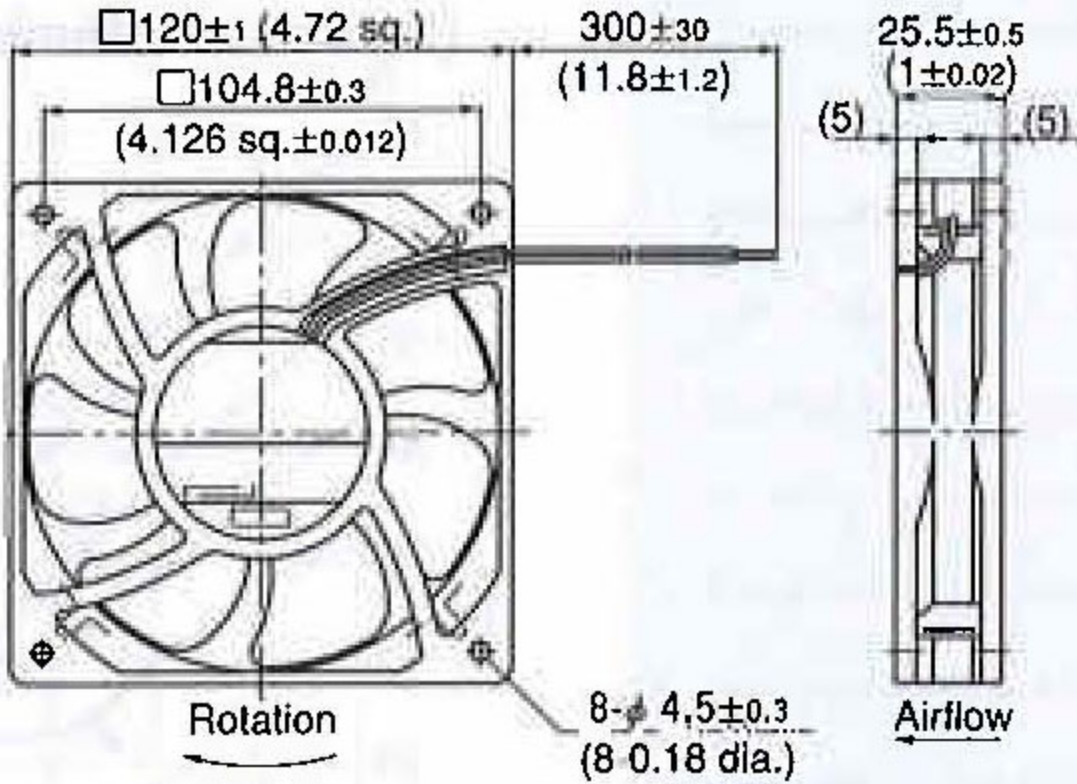
**Note**

- NIDEC SERVO can meet many of your requirements for customization, such as special connectors, other sensors not listed above, variable speed specifications, and other modifications. Please contact NIDEC SERVO during your product planning and development stage
- The listed products are registered in the following overseas standards files, UL/cUL;48889, CSA: LR49399 (only available in D speed) TUV: R9451586
- 3D data is also available at our web2-CAD site

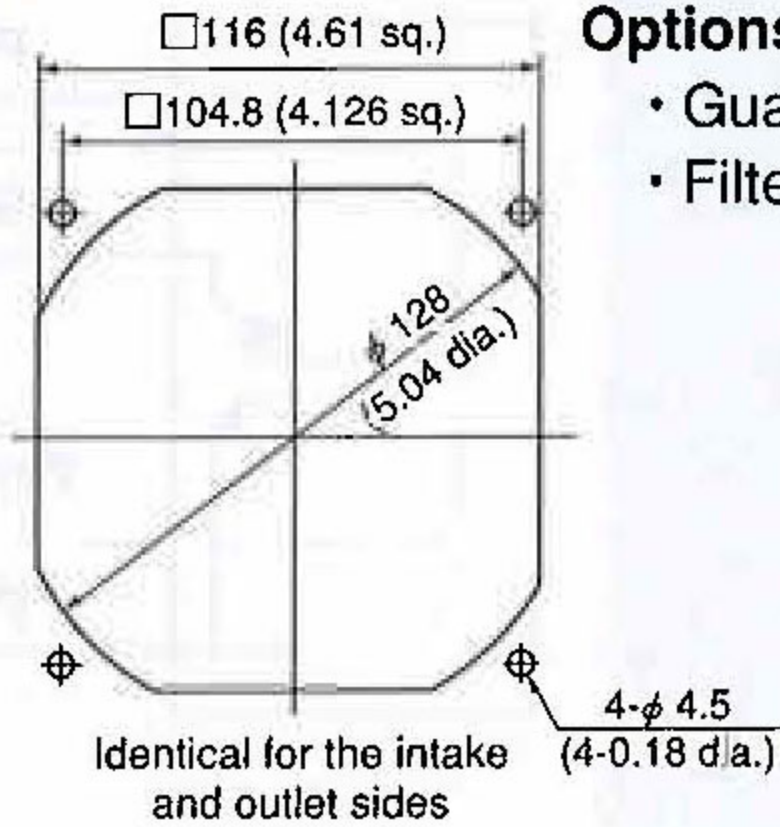


Standard Airflow &amp; Static Pressure Characteristics

## ● Lead wire type



Lead wire spec. AWG24 UL1007 or UL3266  
 Color (+) Red  
 (-) Black (CUDC□D4: Blue)



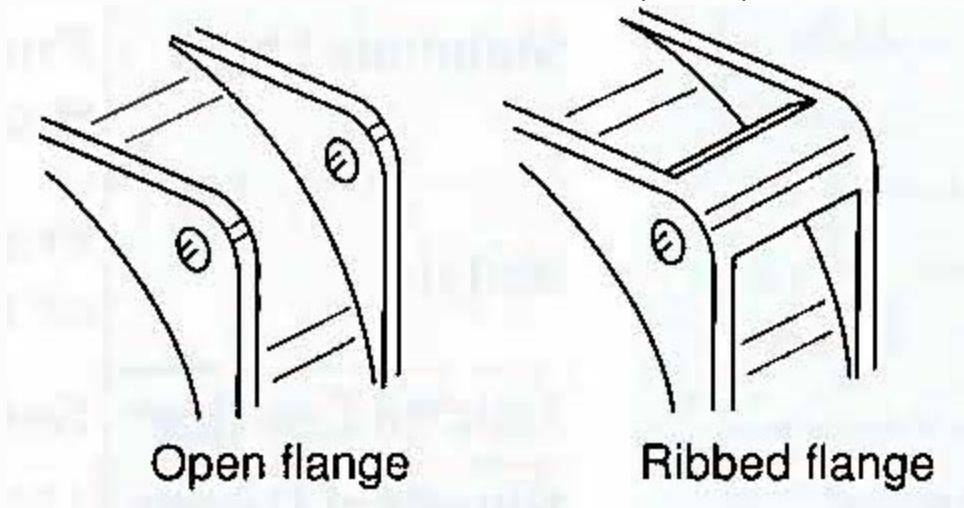
## Options (sold separately)

- Guard: F120UL guard
- Filter: F120 filter

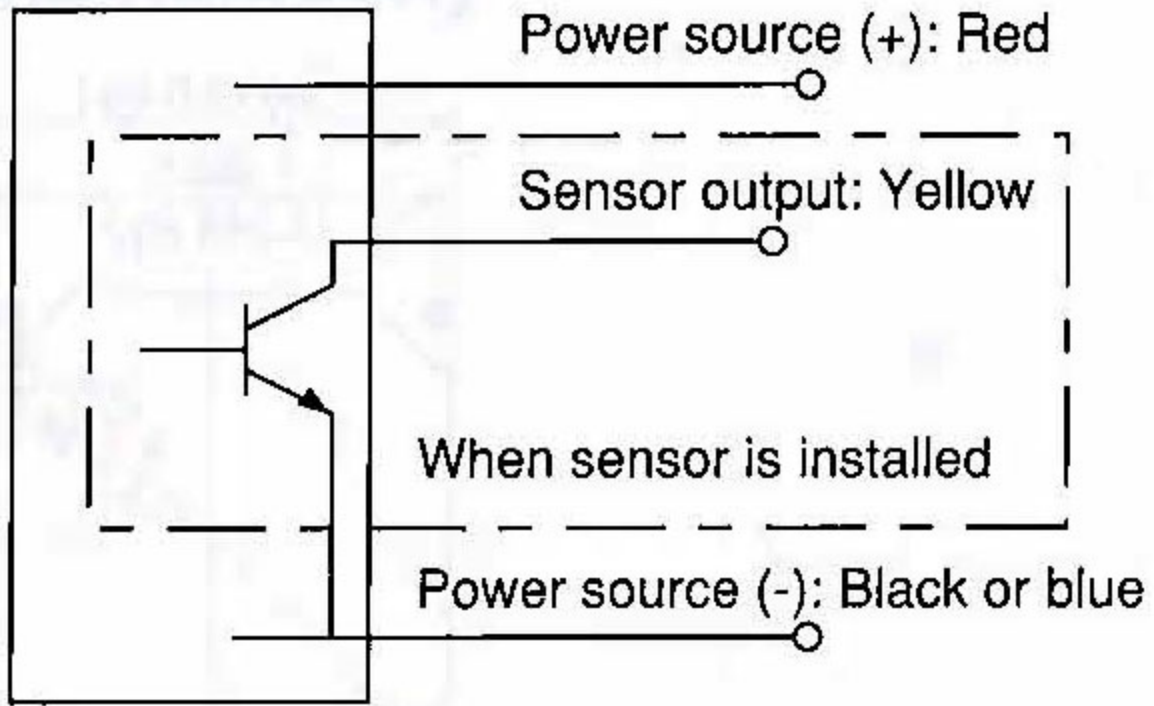
a1751.jpg



CUDC Series DC Axial Fans 120X25 (CUDC12)



Venturi Shape



Wiring Diagram

Customize

[Custom Designs](#)