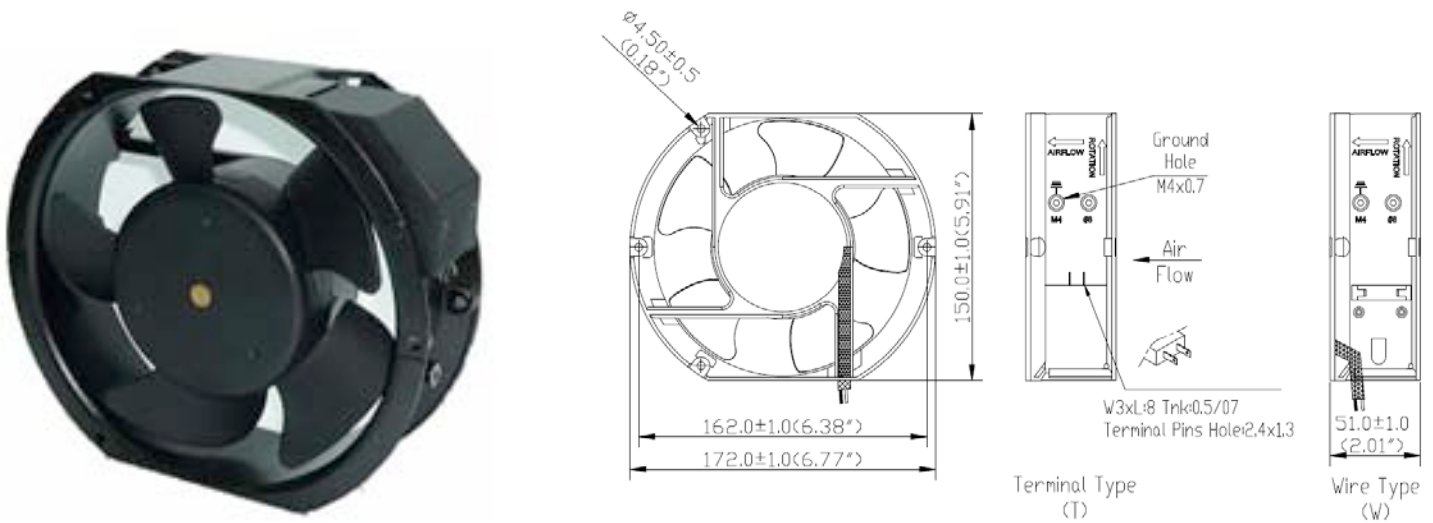


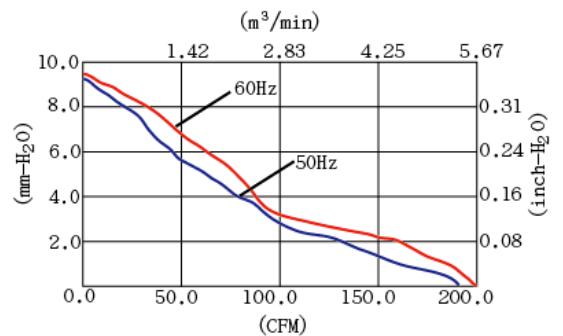
AC FAN SK162AP $\phi 172 \times 150 \times 51 \text{mm} (6") 200 \sim 100 \text{ CFM}$

勝特力電材超市-龍山店 886-3-5773766
 勝特力電材超市-光復店 886-3-5729570
 勝特力電子(上海) 86-21-34970699
 勝特力電子(深圳) 86-755-83298787
<http://www.100y.com.tw>



- 馬 達 Motor Shaded pole, impedance protected or thermally protected
- 外 殼 Housing / Frame Die-cast aluminum, Painted black (AP) or Plated (AN)
- 風 葉 Impeller PBT thermoplastic + glass fiber, UL 94V-0
- 軸 承 Bearing Type Two-ball bearing
- 接電方式 Connecting T-Terminal push-on type or W-Lead wire type
- 耐 壓 Dielectric Strength 1 min. at 1,500VAC, 50/60Hz
- 溫度範圍 Operating Temp Ambient -20°C~+55°C
- 壽 命 Life Expectancy 50,000 hours at 25°C
30,000 hours at 65°C
- 淨 重 Net Weight 1,050gm(2.31 pounds)
- 檢 定 Safety Approvals UL, CUL, TUV, CE, RoHS

SK162 P-Q Curves



| 型 號 Model No. | 電 壓 Rated VAC | 頻 率 Freq. Hz | 電 流 Rated Input Amp | 功 率 Rated Input Watt | 轉 速 Rated Speed RPM | 最大風量 Max. Air Flow | | 最大風壓 Max. Static Pressure | | 噪 音 Noise Level (dB) |
|------------------|---------------------|--------------------|------------------------------|-------------------------------|------------------------------|-----------------------|---------|------------------------------|-----------------------|-------------------------------|
| | | | | | | m³/min | CFM | mm-H ₂ O | inch-H ₂ O | |
| SK162AP-11-1 | 110 (100V~120V) | 50/60 | 0.56/0.50 | 38/36 | 2600/2850 | 5.4/6.5 | 190/200 | 16/20 | 0.63/0.79 | 50/53 |
| SK162AP-11-2 | 110 (100V~120V) | 50/60 | 0.28/0.27 | 25/23 | 2400/2000 | 4.5/4.2 | 159/148 | 13/14 | 0.51/0.55 | 40/42 |
| SK162AP-11-3 | 110 (100V~120V) | 50/60 | 0.21/0.19 | 22/20 | 2170/1300 | 3.2/2.9 | 113/100 | 10/8 | 0.40/0.31 | 32/34 |
| SK162AP-22-1 | 220 (200V~230V) | 50/60 | 0.30/0.25 | 38/36 | 2600/2850 | 5.4/6.5 | 190/200 | 16/20 | 0.63/0.79 | 50/53 |
| SK162AP-22-2 | 220 (200V~230V) | 50/60 | 0.17/0.16 | 25/23 | 2400/2200 | 4.5/4.2 | 159/148 | 13/14 | 0.51/0.55 | 40/42 |
| SK162AP-22-3 | 220 (200V~230V) | 50/60 | 0.13/0.12 | 22/20 | 2170/1300 | 3.2/2.9 | 113/100 | 10/8 | 0.40/0.31 | 32/34 |