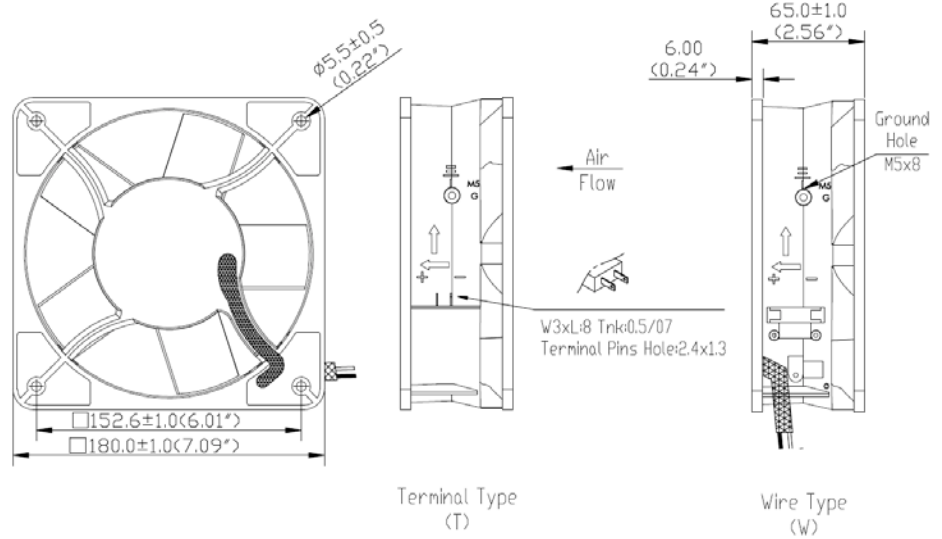


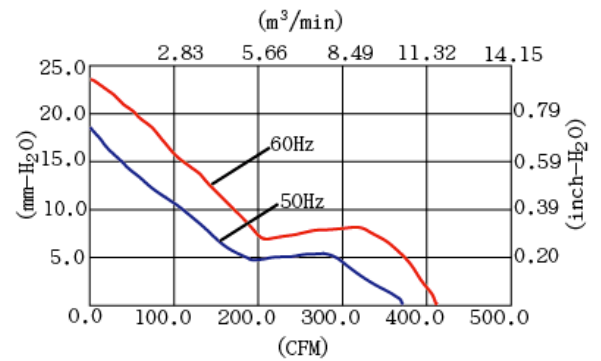
AC FAN SK180AP 180 X 180 X 65mm(7")420~370 CFM

勝特力電材超市-龍山店 886-3-5773766
 勝特力電材超市-光復店 886-3-5729570
 勝特力電子(上海) 86-21-34970699
 勝特力電子(深圳) 86-755-83298787
<http://www.100y.com.tw>



- 馬達 Motor: Single phase induction capacitor motor, thermally protected
- 外殼 Housing / Frame: Die-cast aluminum, Painted black (AP) or Plated (AN)
- 風葉 Impeller: PC thermoplastic + glass fiber, UL 94V-0
- 軸承 Bearing Type: Two-ball bearing
- 接電方式 Connecting: T-Terminal push-on type or W-Lead wire type
- 耐壓 Dielectric Strength: 1 min. at 1,500VAC, 50/60Hz
- 溫度範圍 Operating Temp: Recommended ambient range -20°C~+70°C
- 壽命 Life Expectancy: 60,000 hours at 25°C
40,000 hours at 65°C
- 淨重 Net Weight: 1.8 kg (3.97 pounds)
- 檢定 Safety Approvals: UL, CUL, TUV, CE, RoHS

SK180 P-Q Curves



型號 Model No.	電壓 Rated VAC	頻率 Freq. Hz	電流 Rated Input Amp	功率 Rated Input Watt	轉速 Rated Speed RPM	最大風量 Max. Air Flow		最大風壓 Max. Static Pressure		噪音 Noise Level (dB)
						m³/min	CFM	mm-H ₂ O	inch-H ₂ O	
SK180AP-11-1	110 (100V~120V)	50/60	0.54/0.50	50/52	2800/3250	10.5/11.9	370/420	18.3/23.6	0.72/0.93	60/63
SK180AP-22-1	220 (200V~240V)	50/60	0.23/0.24	43/52	2800/3250	10.5/11.9	370/420	18.3/23.6	0.72/0.93	59/63