

AC FAN SK92AP

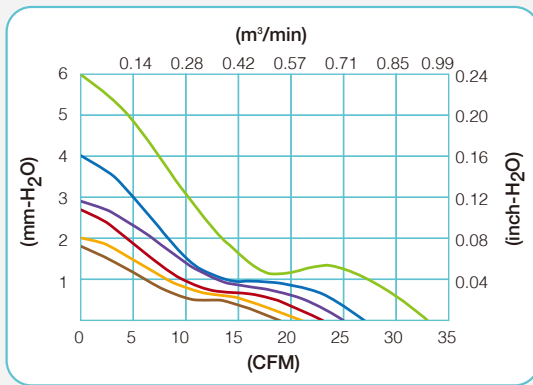
92X92X25mm(3.62"×1") 19~33 CFM

勝特力電材超市-龍山店 886-3-5773766
 勝特力電材超市-光復店 886-3-5729570
 勝特力電子(上海) 86-21-34970699
 勝特力電子(深圳) 86-755-83298787
<http://www.100y.com.tw>

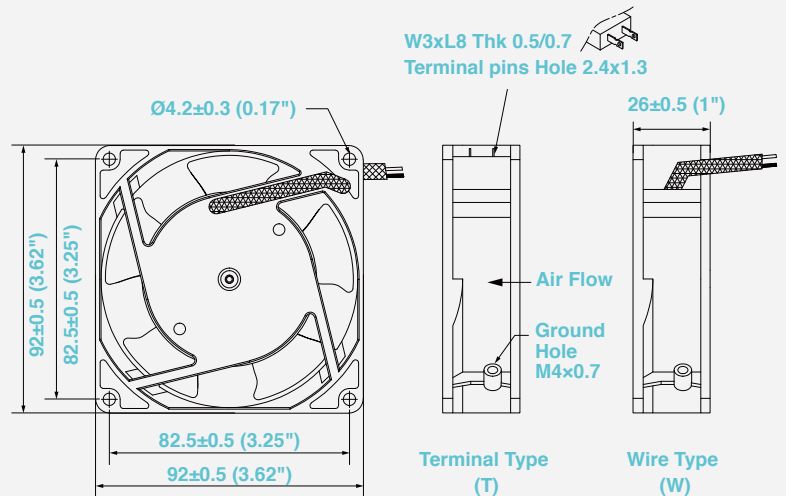


馬達	Motor	Shaded pole, impedance protected
外殼	Housing / Frame	Die-cast aluminum, Painted black (AP)
風葉	Impeller	PBT thermoplastic + glass fiber, UL 94V-0
軸承	Bearing Type	Two-ball or sleeve available
接電方式	Connection	T-Terminal push-on type or W-Lead wire type
耐壓	Dielectric Strength	1 min. at 1,500VAC, 50/60Hz
溫度範圍	Operating Temp	Ball bearing -20°C~+70°C Sleeve bearing -10°C~+55°C
壽命	Life Expectancy	Ball bearing 60,000 hours at 40°C Sleeve bearing 30,000 hours at 40°C
淨重	Net Weight	290 gm (0.64 pound)
認證	Safety Approvals	UL, CUL, TUV, CE, RoHS

SK92 P-Q Curves



— -1 50Hz — -2 50Hz — -3 50Hz
 — -1 60Hz — -2 60Hz — -3 60Hz



Model No.	Rated VAC	Freq. Hz	Rated Input Amp	Rated Input Watt	Rated Speed RPM	Max. Air Flow m ³ /min CFM	Max. Static Pressure mm-H ₂ O inch-H ₂ O	Noise Level (dB)
型號	電壓	頻率	電流	功率	轉速	最大風量	最大風壓	噪音
SK92AP-11-1	110 (100V~120V)	50/60	0.18/0.16	15/13	2400/3000	0.76/0.93 27/33	4.0/6.0 0.16/0.24	31/39
SK92AP-11-2	110 (100V~120V)	50/60	0.09/0.08	10/9	2100/2300	0.65/0.71 23/25	2.7/2.9 0.11/0.11	28/31
SK92AP-11-3	110 (100V~120V)	50/60	0.07/0.06	7/6	1700/1750	0.53/0.59 19/21	1.8/2.0 0.07/0.08	26/26
SK92AP-22-1	220 (200V~230V)	50/60	0.08/0.07	15/13	2400/2900	0.76/0.93 27/33	4.0/6.0 0.16/0.24	31/38
SK92AP-22-2	220 (200V~230V)	50/60	0.06/0.05	10/9	2100/2350	0.65/0.71 23/25	2.7/2.9 0.11/0.11	28/32
SK92AP-22-3	220 (200V~230V)	50/60	0.05/0.04	7/6	1650/1850	0.53/0.59 9/21	1.8/2.0 0.07/0.08	23/27

Customised Item : Frameless, Double Voltage

