



# SPECIFICATION

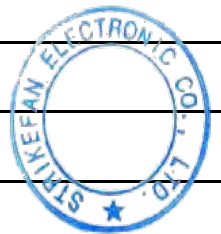
勝特力電材超市-龍山店 886-3-5773766  
勝特力電材超市-光復店 886-3-5729570  
勝特力電子(上海) 86-21-34970699  
勝特力電子(深圳) 86-755-83298787  
<http://www.100y.com.tw>

## DC AXIAL FAN

ITEM	DESCRIPTIONS
P/N	TRS401512H-C.W
Dimension 尺寸	40x40x15mm
Bearing Type 軸承	WRB Bearing
Rated Voltage 額定電壓	12 VDC
Operating Voltage 工作電壓範圍	7~14 VDC
Startup Voltage 啟動電壓	7 V
Rated Current 額定電流	0.11(Max:0.16) A
Consuming Power 消耗功率	1.32(Max:1.92) W
Rated Speed 額定轉速	8000 RPM±10%
Air Flow 風量	7.82( Min:7.04) CFM
	0.22( Min:0.20) m <sup>3</sup> /min
Static Pressure 靜壓	7.65( Min:6.20) mm-H <sub>2</sub> O
	0.30(Min:0.24) inch-H <sub>2</sub> O
Noise Level 噪音	30.8(Max:33.88) dBA
Safety Certification 安規	UL CUL CE

## SPECIAL FUNCTION TYPE 特殊功能類型

Auto Restart By IC 自動重啓 (IC版)	YES
Soft Start 軟啟動	NO
Speed Control (FG) 速度檢測	NO
Alarm Control (RD) 警示功能	NO
Pulse Width Modulation 脈寬調控	NO
Temperature Control 溫度控制	NO
Waterproof Level 防水等級	NO





## 1.MATERIAL:

1-1.Housing :PBT UL94V-0

1-2.Blade : PBT UL94V-0

1-3.BOBBIN PBT UL94V-0

1-4.Shaft holder :

V	Plastic		Copper
	Aluminum		

## 2.ENVIRONMENTAL:

2-1.OPERATING TEMPERATURE : -10 TO +70 DEGREE°C

2-2.STORAGE TEMPERATURE : -40 TO +85 DEGREE°C

2-3.OPERATING HUMIDITY : 15 TO 90% RH

2-4.STORAGE HUMIDITY : 15 TO 90% RH

## 3. Electrical specification :

3-1.LOCKED ROTOR PROTECTION

IMPEDANCE OF MOTOR WINDING PROTECTS MOTOR FROM FIRE IN 15MINUTE OF LOCKED ROTOR CONDITION AT THE RATED VOLTAGE.

3-2.INSULATION RESISTANCE

10 MEG OHM( MIN.) AT 500 VDC (BETWEEN FRAME AND (+) TERMINAL)

3-3.INSULATION STRENGTH

5 mA MAX. AT 500 VAC 60 Hz ONE MINUTE, (BETWEEN FRAME AND(+))TERMINAL)

## 4.Drop test:

IN MINIMUM PACKAGING CONDITION FAN WITHSTANDS EACH ONE DROP OF THREE FACES FROM 30 CM DISTANCE HEIGHT ONTO 10 MM THICKNESS OF WOODEN BOARD.

## 5.LIFE EXPECTANCY:

50000 HOURS CONTINUOUS OPERATION

ONE YEAR WARRANTY AT 40°C WITH 15~65 %RH..



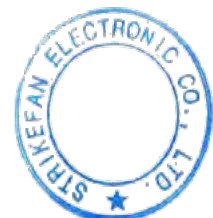
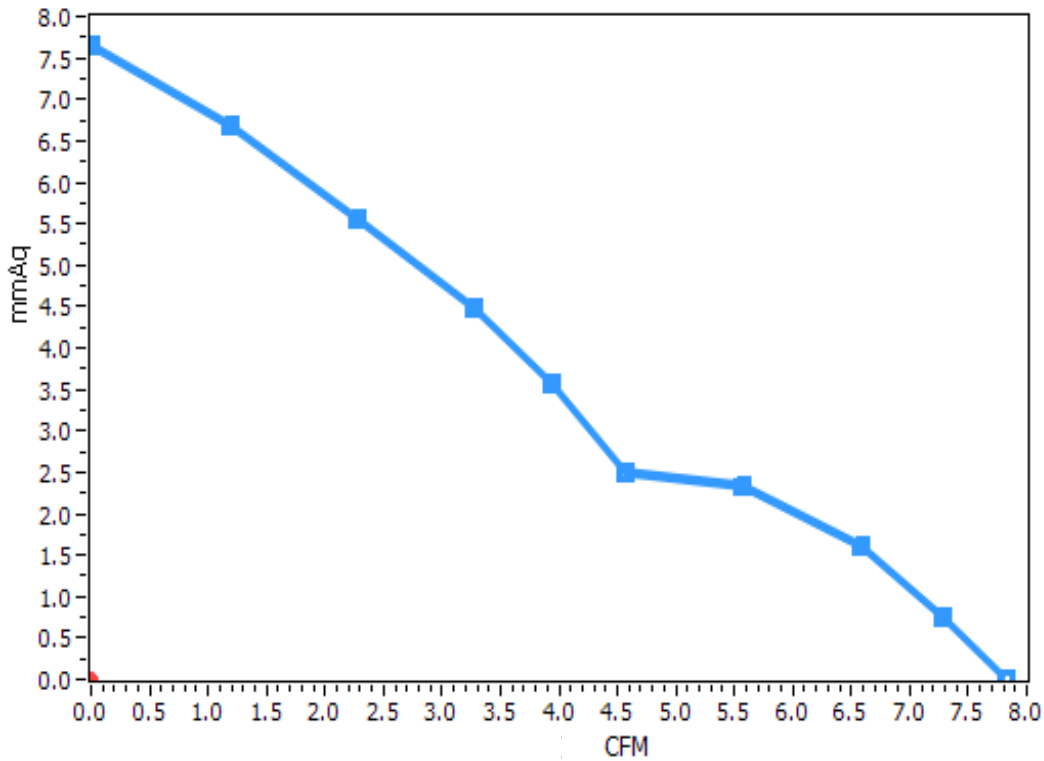


## 6.Fan Performance Curve Test Report

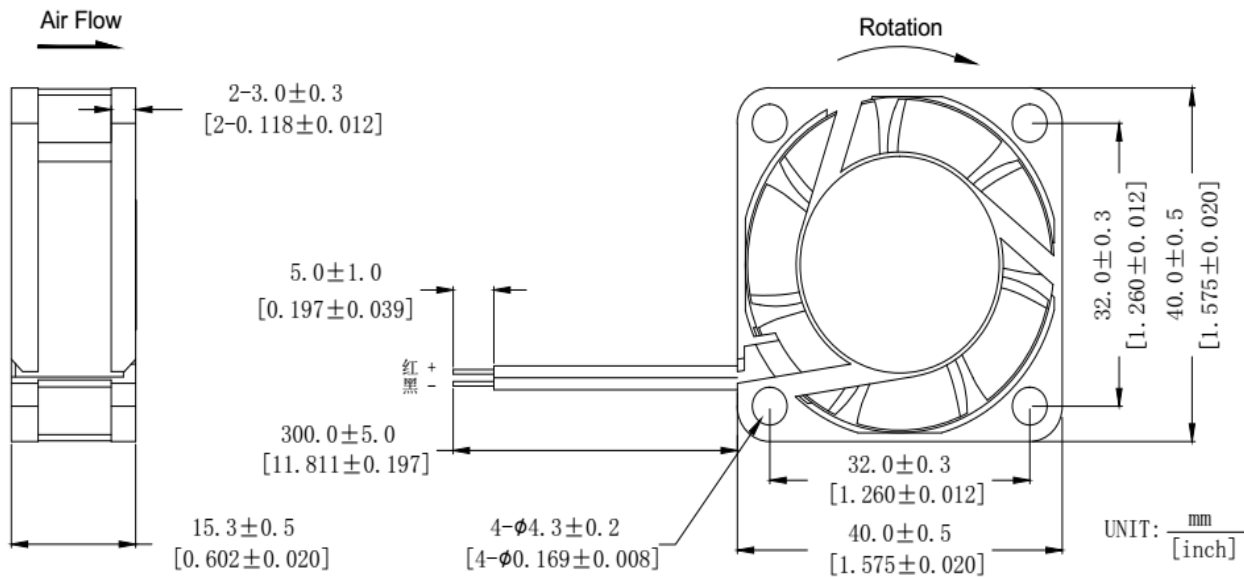
### Test Conditions

Barometric Pressure:	752.4	Test Voltage:	At rated Voltage
Relative humidity:	66.83%	Test Temp. :	25 °C

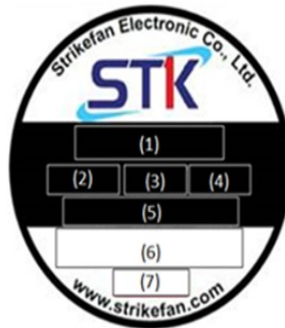
### P-Q Curve



## 7.OUTLINE STYLING & DIMENSIONS :



(1) 型號/Model No
(2) 軸承/Bearing Type
(3) 額定電壓/Rated Voltage
(4) 安規電流/Rated Current
(5) 產品編號/Part No
(6) 安規/Safety Approvals
(7) 製造日期/Date Code



### NOTE:

LEAD WIRES: WIRES UL 1007 #26 AWG

Red-----(+)

Black-----(-)

