

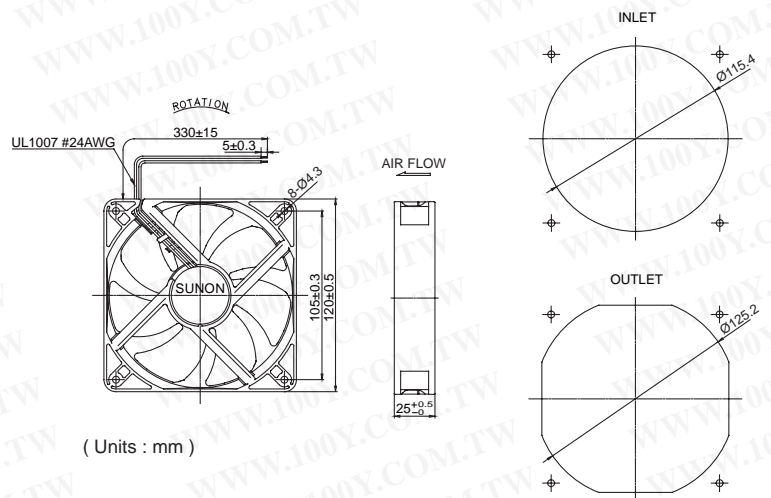
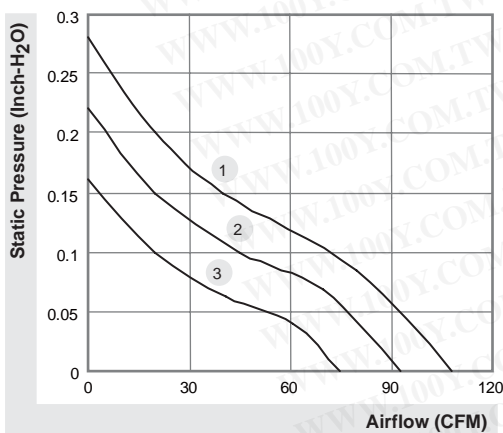
120x120x25 mm

75~108.2 CFM



MAGLev by SUNON	Bearing	Rating Voltage (VDC)	Power Current (AMP)	Power Consumption (WATTS)	Speed (RPM)	Air Flow (CFM)	Static Pressure (Inch-H ₂ O)	Noise (dBA)	Weight (g)	Curve
	● VAPO									
MEC0251V1-0000-A99	●	12	0.455	5.5	3100	108.2	0.28	44.5	162	1
MEC0251V2-0000-A99	●	12	0.315	3.8	2700	93.0	0.22	40.5	162	2
MEC0251V3-0000-A99	●	12	0.19	2.3	2200	75.0	0.16	34.0	162	3
MEC0252V1-0000-A99	●	24	0.225	5.4	3100	108.2	0.28	44.5	162	1
MEC0252V2-0000-A99	●	24	0.15	3.6	2700	93.0	0.22	40.5	162	2
MEC0252V3-0000-A99	●	24	0.092	2.2	2200	75.0	0.16	34.0	162	3
MEC0254V1-0000-A99	●	48	0.125	6.0	3100	108.2	0.28	44.5	162	1
MEC0254V2-0000-A99	●	48	0.09	4.3	2700	93.0	0.22	40.5	162	2
MEC0254V3-0000-A99	●	48	0.055	2.6	2200	75.0	0.16	34.0	162	3

Model	2BALL Sleeve	(VDC)	(AMP)	(WATTS)	(RPM)	(CFM)	(Inch-H ₂ O)	(dBA)	(g)	Curve
EEC0251B1-0000-A99	☉	12	0.445	5.3	3100	108.2	0.28	44.5	157	1
EEC0251B2-0000-A99	☉	12	0.3	3.6	2700	93.0	0.22	40.5	157	2
EEC0251B3-0000-A99	☉	12	0.17	2.0	2200	75.0	0.16	34.0	157	3
EEC0252B1-0000-A99	☉	24	0.21	5.0	3100	108.2	0.28	44.5	157	1
EEC0252B2-0000-A99	☉	24	0.145	3.5	2700	93.0	0.22	40.5	157	2
EEC0252B3-0000-A99	☉	24	0.086	2.1	2200	75.0	0.16	34.0	157	3
EEC0254B1-0000-A99	☉	48	0.12	5.8	3100	108.2	0.28	44.5	157	1
EEC0254B2-0000-A99	☉	48	0.08	3.8	2700	93.0	0.22	40.5	157	2
EEC0254B3-0000-A99	☉	48	0.052	2.5	2200	75.0	0.16	34.0	157	3



*All model could be customized. Please contact with Sunon Sales.

*Specifications subject to change without notice. Please Visit SUNON web site at <http://www.sunon.com> for update information.