

# 80x80x25 mm

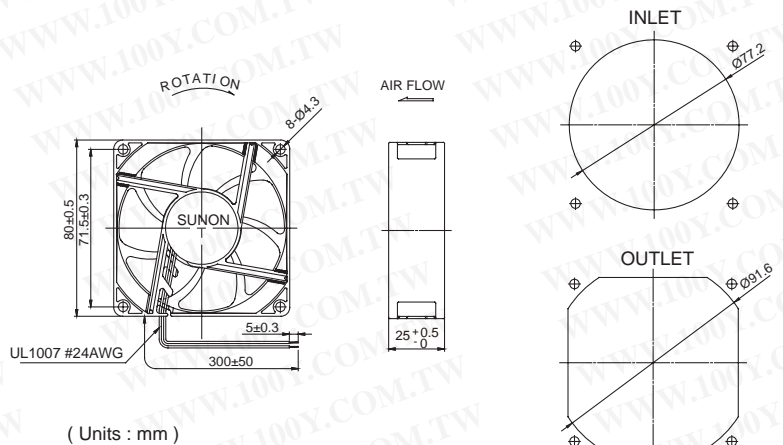
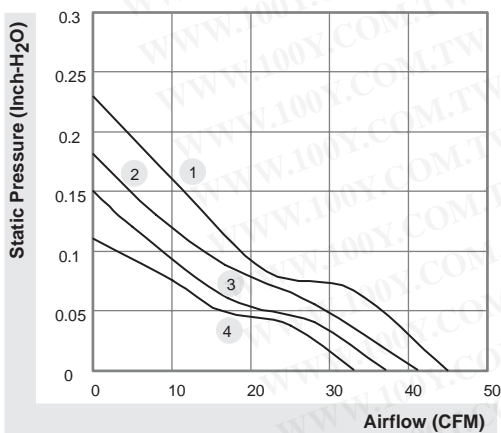
## 33~45 CFM



MAGLev by SUNON	Bearing	Rating Voltage (VDC)	Power Current (AMP)	Power Consumption (WATTS)	Speed (RPM)	Air Flow (CFM)	Static Pressure (Inch-H <sub>2</sub> O)	Noise (dBA)	Weight (g)	Curve
	● VAPO									
ME80251VX-0000-A99	●	12	0.165	1.98	3600	45	0.23	37.0	81	1
ME80251V1-0000-A99	●	12	0.145	1.7	3200	41	0.18	33.0	77	2
ME80251V2-0000-A99	●	12	0.12	1.4	2900	37	0.15	30.0	77	3
ME80251V3-0000-A99	●	12	0.09	1.1	2600	33	0.11	28.0	77	4
ME80252VX-0000-A99	●	24	0.08	1.92	3600	45	0.23	37.0	81	1
ME80252V1-0000-A99	●	24	0.073	1.8	3200	41	0.18	33.0	75	2
ME80252V2-0000-A99	●	24	0.059	1.4	2900	37	0.15	30.0	75	3
ME80252V3-0000-A99	●	24	0.049	1.2	2600	33	0.11	28.0	75	4

Model	2BALL Sleeve	(VDC)	(AMP)	(WATTS)	(RPM)	(CFM)	(Inch-H <sub>2</sub> O)	(dBA)	(g)	Curve
EE80251BX-0000-A99	⊕	12	0.172	2.06	3600	45	0.23	38.0	89	1
EE80251B1-0000-A99	⊕	12	0.145	1.74	3200	41	0.18	33.0	74	2
EE80251B2-0000-999	⊕	12	0.12	1.44	2900	37	0.15	30.0	74	3
EE80251B3-0000-999	⊕	12	0.09	1.08	2600	33	0.11	28.0	74	4
EE80252BX-0000-A99	⊕	24	0.08	1.92	3600	45	0.23	38.0	89	1
EE80252B1-0000-A99	⊕	24	0.073	1.8	3200	41	0.18	33.0	75	2
EE80252B2-0000-999	⊕	24	0.059	1.41	2900	37	0.15	30.0	75	3
EE80252B3-0000-999	⊕	24	0.046	1.1	2600	33	0.11	28.0	75	4
EE80251S1-0000-A99	○	12	0.145	1.7	3200	41	0.18	33.0	75	2
EE80251S2-0000-999	○	12	0.12	1.4	2900	37	0.15	30.0	75	3
EE80251S3-0000-999	○	12	0.09	1.1	2600	33	0.11	28.0	75	4
EE80252S1-0000-A99	○	24	0.073	1.8	3200	41	0.18	33.0	75	2
EE80252S2-0000-999	○	24	0.059	1.4	2900	37	0.15	30.0	75	3
EE80252S3-0000-999	○	24	0.049	1.2	2600	33	0.11	28.0	75	4

\* Preliminary specification for reference.



\*All model could be customized. Please contact with Sunon Sales.

\*Specifications subject to change without notice. Please Visit SUNON web site at <http://www.sunon.com> for update information.